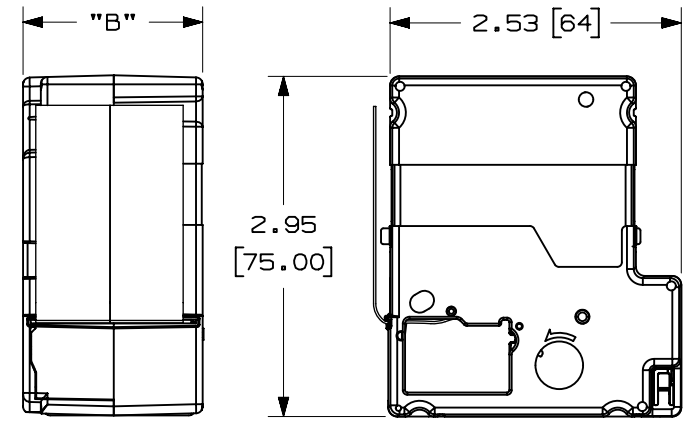


2

1

THIS COPY IS PROVIDED ON A RESTRICTED BASIS AND IS NOT TO BE USED IN ANY WAY DETRIMENTAL TO THE INTERESTS OF PANDUIT CORP.

MP CASSETTE PART NO.	LABEL "A" +/- .030 [0.76]	CASSETTE WIDTH "B" REF	COLOR	MATERIAL	COMPATIBLE PRINTERS	ROLL LENGTH +10% / -0%	
T038X000VPM-BK	0.354 [9.0]	.87 [22.1]	BLACK ON WHITE	GMV20	MP75, MP100, MP200, MP300	23 ft [7.01 m]	
T038X000VXM-BK			BLACK ON YELLOW			30 ft [9.14 m]	
T038X000YKM-BK			BLACK ON CLEAR	GMV20		23 ft [7.01 m]	
T050X000VPM-BK	0.472 [12.0]		BLACK ON WHITE	GMV20		23 ft [7.01 m]	
T050X000VXM-BK			BLACK ON YELLOW			30 ft [9.14 m]	
T050X000YKM-BK			BLACK ON CLEAR	GMV20		23 ft [7.01 m]	
T075X000VPM-BK	.710 [18.0]	0.99 [25.1]	BLACK ON WHITE	GMV20	MP100, MP200, MP300	23 ft [7.01 m]	
T075X000VXM-BK			BLACK ON YELLOW			30 ft [9.14 m]	
T075X000YKM-BK			BLACK ON CLEAR	GMV20		23 ft [7.01 m]	
T100X000VPM-BK	0.945 [24.0]	1.10 [27.9]	BLACK ON WHITE	GMV20		MP100, MP200, MP300	23 ft [7.01 m]
T100X000VXM-BK			BLACK ON YELLOW				30 ft [9.14 m]
T100X000YKM-BK			BLACK ON CLEAR	GMV20			30 ft [9.14 m]
T100X000MPM-BK			BLACK ON WHITE	MAG	5 ft [1.52 m]		
T100X000MXM-BK			BLACK ON YELLOW		5 ft [1.52 m]		
T150X000VPM-BK			1.417 [36.0]	1.56 [39.6]	BLACK ON WHITE		GMV20
T150X000VXM-BK	BLACK ON YELLOW	30 ft [9.14 m]					
T150X000YKM-BK	BLACK ON CLEAR	GMV20			30 ft [9.14 m]		
T150X000MPM-BK	BLACK ON WHITE	MAG			5 ft [1.52 m]		
T150X000MXM-BK	BLACK ON YELLOW				5 ft [1.52 m]		



TITLE										MP CONTINUOUS TAPE									
										CUSTOMER DRAWING									
ITEM REVISION NAME					100743XP/02					PANDUIT									
DATASET FILE NAME					100743XP_DC_MP CONT-TAPE/02A					MATERIAL:									
UNLESS OTHERWISE SPECIFIED, DIMENSIONAL TOLERANCES ARE: IN [mm]										SEE TABLE									
.x ± .1 [2.54]					.xxx ± .025 [.635]					DRAWING NUMBER:									
.xx ± .05 [1.27]					ANGLES ±					100743XP_DC									
THIRD ANGLE PROJECTION										DRAWN BY									
										RVU									
DATE										7/15/19									
CHK										JHAC									
SCALE										NTS									
SHT 1 OF 1										A									

02A	6/19/2023	JSUN	BRJO	MSAD	A. ADD COLUMN FOR COMPATIBLE PRINTERS	13159/00
01	5/19/2020	RVU	JW	JHAC	The color should be listed as: 1) Black on White for all *PM-BK part numbers. 2) Black on Yellow for all *XM-BK part numbers. 3) Black on Clear for all *KM-BK part numbers.	GAECN05654
00	10/31/19	RVU	JW	JHAC	DRAWING RELEASE.	GAECN04945
REV	DATE	BY	CHK	APR	DESCRIPTION	ECN

2

1

D10100DA/20