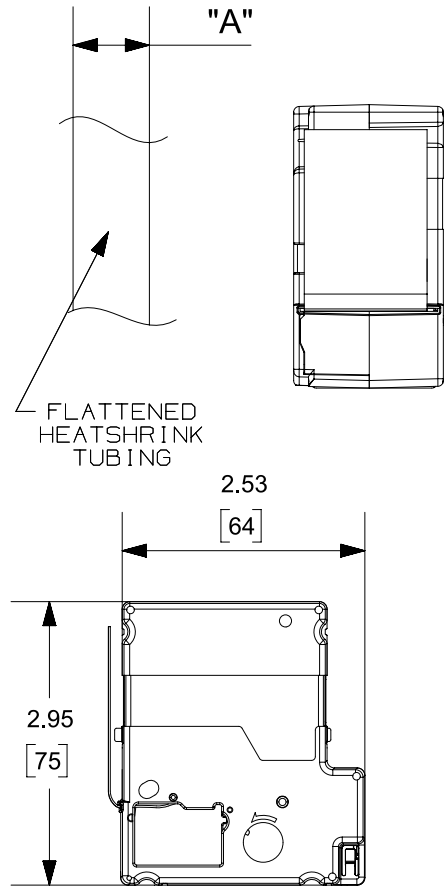


THIS COPY IS PROVIDED ON A RESTRICTED BASIS AND IS NOT TO BE USED IN ANY WAY DETRIMENTAL TO THE INTERESTS OF PANDUIT CORP.



CASSETTE PART NO.	TUBING COLOR	COMPATIBLE PRINTERS	MATERIAL	Part Description	TUBING WIDTH "A" +/- 0.1 [+/-2.6]	Diameter Range Min-Max	ROLL LENGTH
H000X025H1M	WHITE	MP75, MP100, MP200, MP300	GMHS31E	1/8" dia. 3:1 H.S. Polyolefin 22-16 AWG	.27 [6.8] REF	.055-.15 [1.4-3.8]	8.2' MIN 2.5 METER MIN
H000X025H2M	YELLOW						
H000X034H1M	WHITE						
H000X034H2M	YELLOW	GMHS31ET	3/16" dia. 3:1 H.S. Polyolefin 18-12 AWG	.37 [9.3] REF	.075-.212 [1.9-5.4]		
H000X044H1M	WHITE						
H000X044H2M	YELLOW	MP100, MP200, MP300	GMHS31E	1/4" dia. 3:1 H.S. Polyolefin 16-8 AWG	.48 [12.3] REF	.095-.275 [2.4-7.0]	
H000X064HPM	WHITE						
H000X064HXM	YELLOW						
H000X084HPM	WHITE	MP300	GMHS21E	3/8" dia. 2:1 H.S. Polyolefin 8-2 AWG	.71 [18.0] REF	.221-.429 [5.6-10.9]	
H000X084HXM	YELLOW						
H000X134HPM	WHITE			3/4" dia. 2:1 H.S. Polyolefin 1-250 MCM AWG	1.34 [34] REF	.433-.787 [11-20]	
H000X134HXM	YELLOW						

TITLE MP Printer Cassette, Continuous Heatshrink Tubing		CUSTOMER DRAWING	
ITEM REVISION NAME 100743XS/03		PANDUIT	
DATASET FILE NAME 100743XS_DC/03B CUST DWG			
UNLESS OTHERWISE SPECIFIED, DIMENSIONAL TOLERANCES ARE: IN [mm]		MATERIAL: SEE TABLE	
.x ± .1 [2.54] .xxx ± .025 [.635]		DRAWING NUMBER: 100743XS_DC	
.xx ± .05 [1.27] ANGLES ±		THIRD ANGLE PROJECTION	
DRAWN BY JSUN		DATE 4/21/2020	CHK RKB
SCALE NTS		SIZE A	

REV	DATE	BY	CHK	APR	DESCRIPTION	ECN
03B	7/5/2023	RVU	JSUN	MSAD	B. ADDED MP75, MP100, MP200 & MP300 TO TABLE. A. ADDED COMPATIBLE PRINTERS COLUMN TO TABLE.	GAECN06834
03	8/26/2021	JSUN	MSAD	BRJO	ADD 3:1 AND 2:1 SHRINK RATIO TO PART DESCRIPTION	080136/03
0	4/21/2020	JSUN	RGB	RGB	DRAWING RELEASE.	080136/00

D10100DA/20