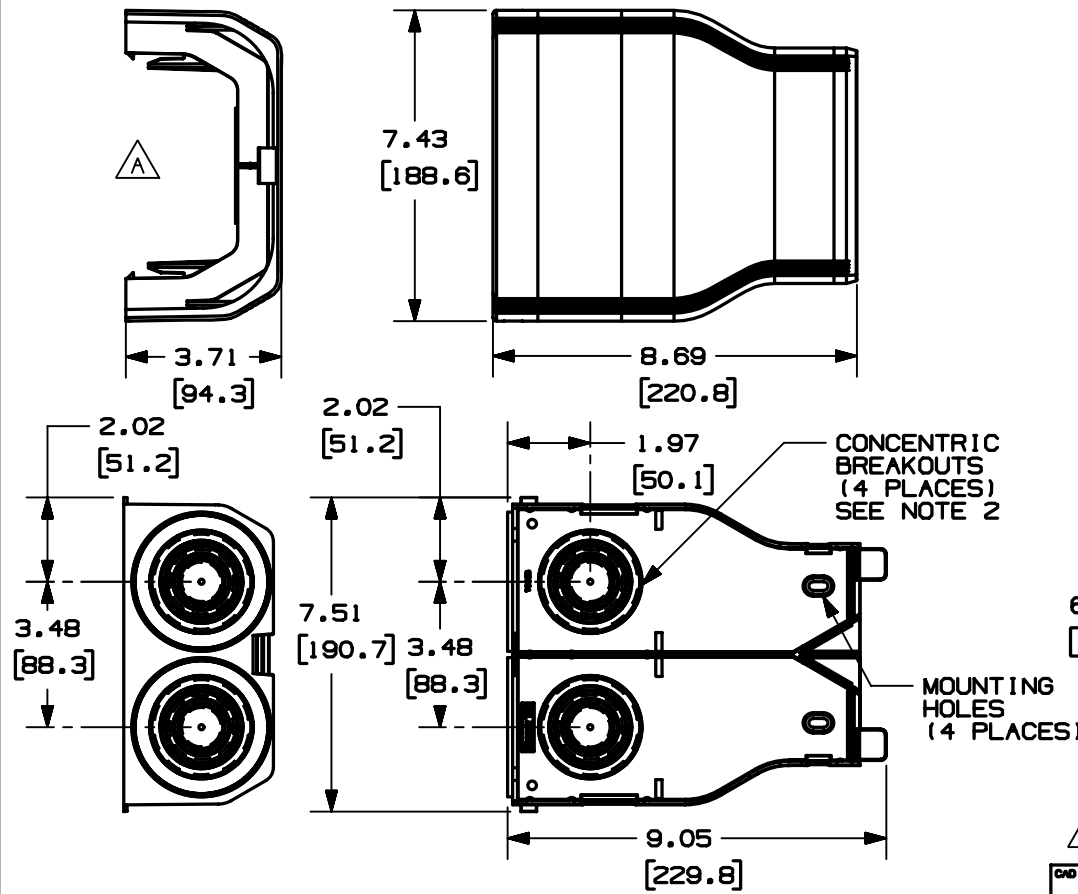
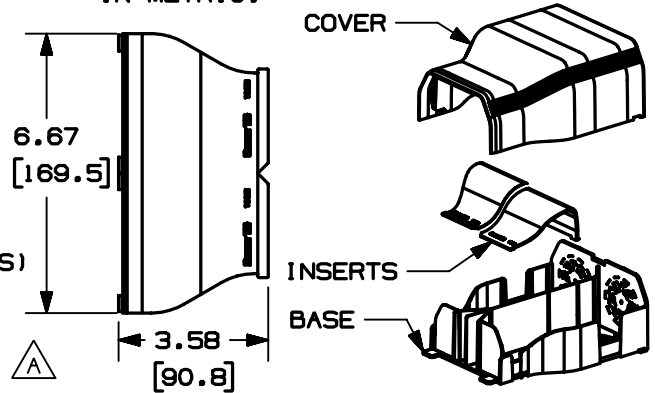


THIS COPY IS PROVIDED ON A RESTRICTED BASIS AND IS NOT TO BE USED IN ANY WAY DETRIMENTAL TO THE INTERESTS OF PANDUIT CORP.



PANDUIT P/N	WEIGHT
TGEE	1.39 LB (632.5 G)

- NOTES:
1. SEE CURRENT CATALOG FOR ADDITIONAL PART SUFFIXES TO INDICATE COLOR AND OR PACKAGE QUANTITY.
 2. CONCENTRIC BREAKOUTS TO ACCOMODATE CONDUIT SIZES OF 3/4", 1", 1 1/4", 1 1/2" AND 2" DIAMETERS.
 3. BREAKOUTS FOR MAINTAINING POWER AND DATA ENTRY SEPARATION.
 4. THIS PRODUCT INTENDED TO BE USED WITH PANDUIT TYPE TG RACEWAY.
 5. DIMENSIONS IN PARENTHESES ARE IN METRIC.



CAD FILENAME/LAYERS D38046BD_DC_TGEE_00B.PRT

PANDUIT CORP. TINLEY PARK, ILLINOIS
 TG ENTRANCE END FITTING
 (TGEE)
 CUSTOMER DRAWING

UNLESS OTHERWISE SPECIFIED, DIMENSIONAL TOLERANCES ARE:
 (.X) ± (.XXX) ± .005 (.12)
 (.XX) ± .010 (.25) ANGLES ± 1°

UNLESS OTHERWISE SPECIFIED, ALL DIMENSIONS ARE GIVEN IN INCHES, THIRD ANGLE PROJECTION.

REV	DATE	BY	CHK	DESCRIPTION	ECN	CHK	CUST	SUP
1	02-12-04	JBN	PM	A. REVISED DRAWING LAYOUT; ADDED VIEW AND DIMENSION	38046-04	RGRO	RGRO	
R	10-18-01	JBN	PM	RELEASED TO PRODUCTION	38046-04	RGRO	RGRO	

DRAWN BY JBN	MAT'L'S	SCALE NONE
DATE 10-18-01	SEE NOTES ABOVE	DRAWING NO. 38046-04
CHK'D PM		DWG A SIZE