

Bulletin 800T
30.5 mm Push Buttons
Type 4/13, Watertight/Oiltight

Pilot Light Units



Transformer Type Pilot Light
 Cat. No. 800T-P16R



Push-to-Test Pilot Light
 Cat. No. 800T-PT16R

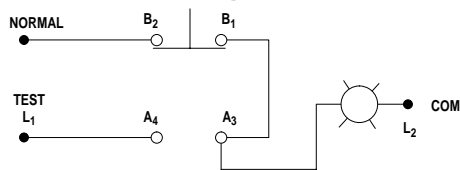
Type	Lamp	Volts	Color	Pilot Light	Push-to-Test ①	Dual Input
				Cat. No.	Cat. No.	Cat. No.
Operator Only ②				800T-S00	800T-SB00XX	—
Full Voltage ③	Incandescent	120 AC/DC	Red	800T-Q10R	800T-QT10R	800T-PD16R
			Green	800T-Q10G	800T-QT10G	800T-PD16G
			Amber	800T-Q10A	800T-QT10A	800T-PD16A
	LED	24 AC/DC	Red	800T-Q24R	800T-QT24R	800T-PD24R
			Green	800T-Q24G	800T-QT24G	800T-PD24G
			Amber	800T-Q24A	800T-QT24A	800T-PD24A
LED	120 AC	Red	800T-QH10R	800T-QTH10R	800T-PDH16R	
		Green Amber	800T-QH10G 800T-QH10A	800T-QTH10G 800T-QTH10A	800T-PDH16G 800T-PDH16A	
No Lamp	0...250 AC/DC	No Lens	Red Green Amber	800T-QH24R 800T-QH24G 800T-QH24A	800T-QTH24R 800T-QTH24G 800T-QTH24A	800T-PDH24R 800T-PDH24G 800T-PDH24A
			800T-QN25	800T-QTN25	—	
Transformer ④	Incandescent	120 AC 50/60 Hz	Red Green Amber	800T-P16R 800T-P16G 800T-P16A	800T-PT16R 800T-PT16G 800T-PT16A	800T-PDT16R 800T-PDT16G 800T-PDT16A
			Red Green Amber	800T-PH16R 800T-PH16G 800T-PH16A	800T-PTH16R 800T-PTH16G 800T-PTH16A	800T-PDTH16R 800T-PDTH16G 800T-PDTH16A
	No Lamp		No Lens	800T-PN16	800T-PTN16	800T-PDTN16

- ① Includes one standard 800T-XA (1 N.O. - 1 N.C.) contact block.
- ② Operator only supplied without power module, lamp, lens cap, or contact blocks.
- ③ Dual input full voltage is diode type.
- ④ Dual input transformer is transformer-relay type.

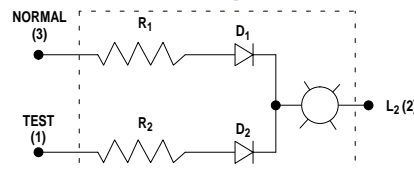
Typical Pilot Light Wiring Diagrams

See applicable Codes and Laws

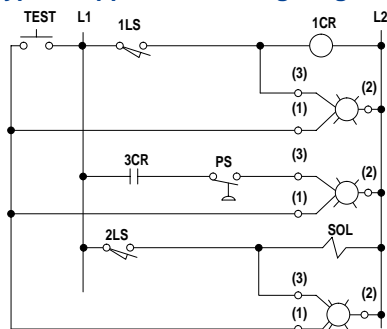
Push-to-Test Pilot Light Device Schematic



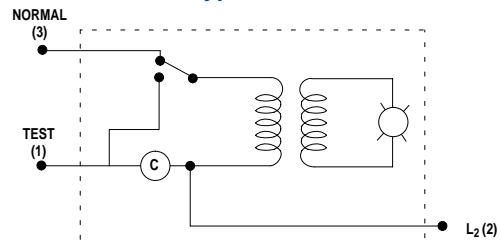
Dual Input Diode Pilot Light Device Schematic



Dual Input Pilot Light Typical Application Wiring Diagram



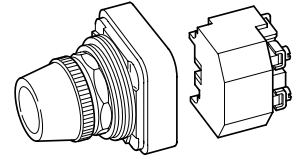
Dual Input Pilot Light Transformer Type Device Schematic



Pilot Light Units

800T — **P** — 16 — R
 a b c d e f

(Pilot Lights)



800T — **Q** — **T** — 24 — **G** — **AR**
 a b c d e f g

(Push-to-Test)

a

Finger-Safe Guards	
Code	Description
Blank	No Guards
C	Guards on Terminals

b

Power Module Type	
Code	Description
P	Transformer (or Dual Input)
Q	Full Voltage (or Resistor)
R	Neon ❶

c

Lamp Test Options	
Code	Description
Blank	No Test Option
T	Push-to-Test
D	Dual Input — Diode ❷
DT	Dual Input — Transformer Relay

Note: Push-to-Test Pilot Light is supplied with a factory jumpered 800T-XA, 1 N.O.-1 N.C. Contact Block.

d

Illumination Options	
Transformer	
Code	Description
Blank	Incandescent
F	Flashing Incandescent ❸
H	LED ❹
Full Voltage	
Code	Description
Blank	Incandescent
F	Flashing Incandescent ❸
H	LED ❹
Resistor	
Code	Description
Blank	No Options
Neon	
Code	Description
Blank	No Options
Dual Input	
Code	Description
Blank	Incandescent
H	LED ❹

e

Voltage	
Transformer	
Code	Description
36	48V AC 50/60 Hz
16	120V AC 50/60 Hz
26	240V AC 50/60 Hz
76	277V AC 50/60 Hz
46	480V AC 50/60 Hz
56	600V AC 50/60 Hz
Full Voltage	
Code	Description
06	6V AC/DC
12	12V AC/DC
24	24V AC/DC
32	32V AC/DC ❸
48	48V AC/DC
10	120V AC/DC ❸
13	130V AC/DC ❸
20	240V AC/DC ❸
Resistor	
Code	Description
11	120V AC/DC Resistor
Neon	
Code	Description
10	120V AC/DC
20	240V AC/DC
Dual Input	
Code	Description
16	120V AC
24	24V AC/DC ❸

f

Lens Color	
Plastic	
Code	Color
Blank	No Lens
A	Amber
B	Blue
C	Clear
G	Green
R	Red
W	White
Glass ❸	
Code	Color
D	Amber
E	Blue
F	Clear
H	Green
J	Red
K	White

g

Contact Blocks ❸	
Code	Description
Standard	
Blank	1 N.O. - 1 N.C.
Pen TUFF (Low Voltage)	
AV	1 N.O. - 1 N.C.
Class 1, Div. 2/Zone 2	
Logic Reed	
AR	1 N.O. - 1 N.C.
Sealed Switch	
AP	1 N.O. - 1 N.C.
Stackable Sealed Switch	
AY	1 N.O. - 1 N.C.

- ❶ Neon is only available in amber or clear.
- ❷ Diode type dual input provides circuit isolation via opposing diodes. Not recommended for use with solid-state outputs and neon indicators.
- ❸ Flashing lamps are only available in 6V full voltage units and all transformer units.
- ❹ LEDs available in red, green, amber, blue, and white. White LEDs only available in 6V and 24V full voltage and all transformer units. LED color must match lens color, except clear lens supplied with white LED and white lens supplied with amber LED. All LEDs except 120V have an internal shunt resistor for use with solid-state outputs.
- ❺ 32V and 130V are LED only. 240V is incandescent only.
- ❻ 120V LED is AC only and does not contain internal shunt resistor. For AC/DC and internal shunt resistor, order 130V AC/DC LED (Code 13).
- ❼ Dual input diode only.
- ❽ Glass lens available on pilot lights only. Not available on push-to-test units.
- ❾ Push-to-test units only.