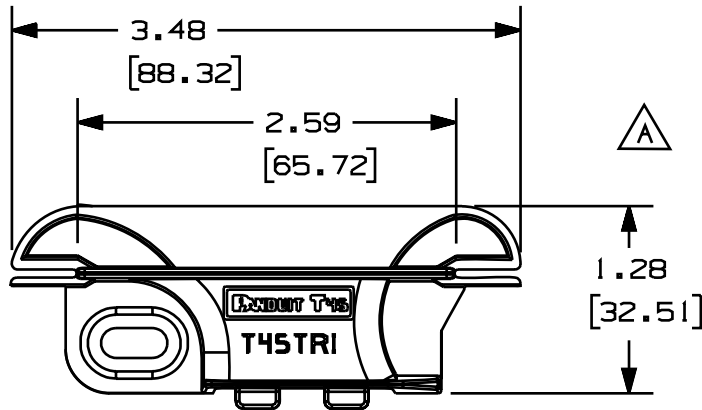


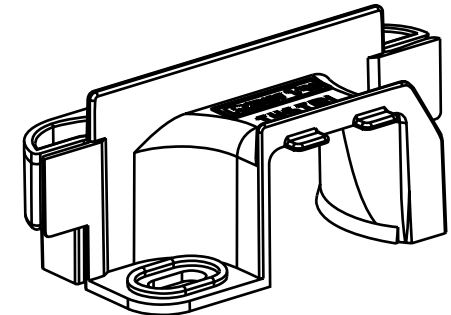
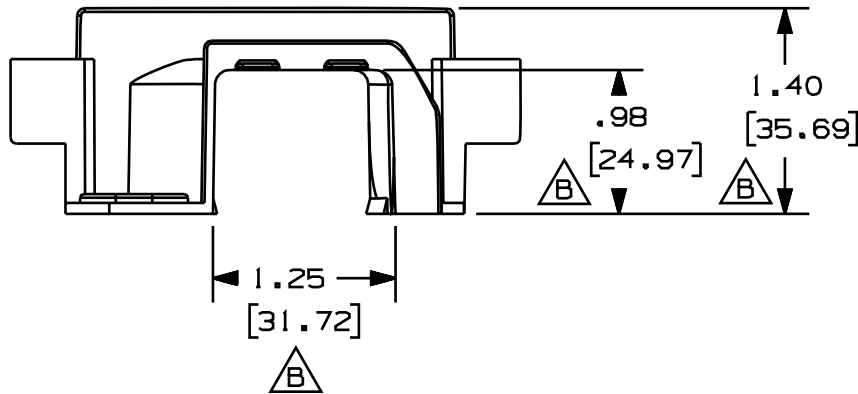
THIS COPY IS PROVIDED ON A RESTRICTED BASIS AND IS NOT TO BE USED IN ANY WAY DETRIMENTAL TO THE INTERESTS OF PANDUIT CORP.



PANDUIT P/N	WEIGHT
T45TRI	.41 LB/10 PCS (186g/10 PCS)

NOTES:

1. THIS PRODUCT IS INTENDED TO BE USED WITH PANDUIT T-70 TRANSITION FITTINGS.
2. THE INSERT IS INTENDED TO SEPARATE AND/OR CROSS OVER POWER AND COMMUNICATIONS FOR PLACEMENT PURPOSES IN THE RACEWAY.
3. THIS PRODUCT IS FEATURED WITH A 1" RADIUS BEND.
4. THIS PART TRANSITIONS FROM T-70 RACEWAY TO T-45 RACEWAY.
5. DIMENSIONS IN PARENTHESES ARE IN METRIC.



CAD FILENAME/LAYERS D37276BB_DC_T45TRI_03B.prt

PANDUIT CORP. TINLEY PARK, ILLINOIS
T-45 TRANSITION FITTING
DIVIDED INSERT (T45TRI)
 CUSTOMER DRAWING

UNLESS OTHERWISE SPECIFIED,
 DIMENSIONAL TOLERANCES ARE:
 (.X) ± (.XXX) ±
 (.XX) ±.03 (.8) ANGLES ±

UNLESS OTHERWISE SPECIFIED,
 ALL DIMENSIONS ARE GIVEN
 IN INCHES, THIRD ANGLE PROJECTION.

REV	DATE	BY	CHK	DESCRIPTION	ECN	CHK	CUST	SUP
2	7-14-00	MSON	RCRO	B. ADDED DIMENSIONS.	37276-02	HIW	HIW	
1	2/9/00	JHNUR	RCRO	A. REVISED PART GEOMETRY	37276-02	HIW	HIW	
R	9/1/99	RABOR	RCRO	RELEASED TO PRODUCTION	37276-02	HIW	HIW	

DRAWN BY
RABO
 DATE
9/1/99
 CHECKED BY
RCRO

MAT'L:
PVC

SCALE
NONE

DRAWING NO.
37276-02

DWG
A
 SIZE