

2

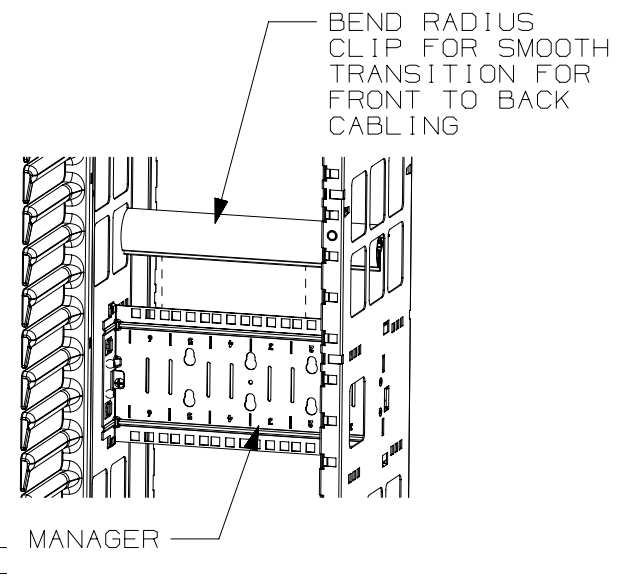
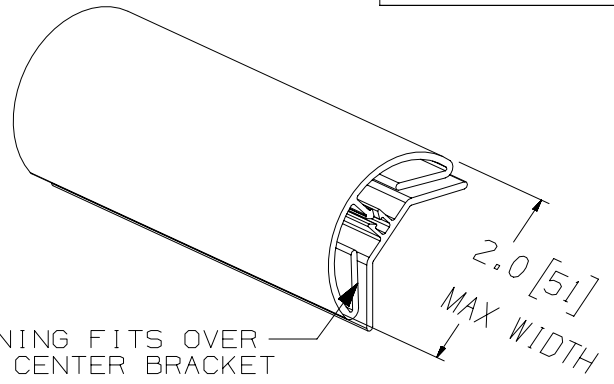
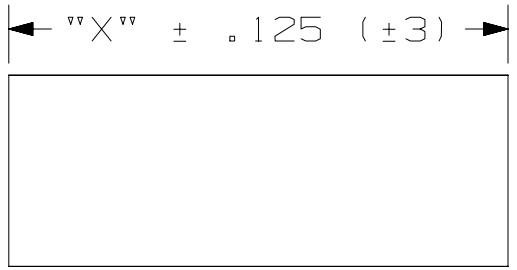
1

THIS COPY IS PROVIDED ON A RESTRICTED BASIS AND IS NOT TO BE USED IN ANY WAY DETRIMENTAL TO THE INTERESTS OF PANDUIT CORP.

NOTES:

1. VISIT OUR ON-LINE CATALOG AT WWW.PANDUIT.COM FOR A CURRENT LIST OF PRODUCTS APPLICABLE FOR USE WITH THIS PART.
2. COMPONENTS:
 PEVBRC6 CONTAINS (4) CLIPS
 PEVBRC8 CONTAINS (4) CLIPS
 PEVBRC10 CONTAINS (4) CLIPS
 PEVBRC12 CONTAINS (4) CLIPS
3. DIMENSIONS IN PARENTHESIS ARE METRIC.

PANDUIT P/N	"X" IN (mm)	WEIGHT
PEVBRC6	5.1 (130)	1.6 LBS/EACH 0.7 Kg/EACH
PEVBRC8	7.1 (180)	2.0 LBS/EACH 0.9 Kg/EACH
PEVBRC10	9.1 (231)	2.4 LBS/EACH 1.1 Kg/EACH
PEVBRC12	11.1 (307)	2.8 LBS/EACH 1.3 Kg/EACH



REV	DATE	BY	CHK	APR	DESCRIPTION	ECN
00B	5-27-15	TWV	BAME	KRKE	ADDED VIEW	10V179BE-DC
00A	3-21-11	BAME			DRAWING RELEASED	10V179BE-DC

TITLE				PATCHRUNNER HIGH CAPACITY VERTICAL MANAGER BEND RADIUS CLIP KIT (PEVBRCX)			
				CUSTOMER DRAWING			
ITEM REVISION NAME				10V179BE/00			
DATASET FILE NAME				10V179BE_DC/00B			
UNLESS OTHERWISE SPECIFIED, DIMENSIONAL TOLERANCES ARE:				MATERIAL:			
INCHES		METRIC - MILLIMETER		ANGLE		PLASTIC	
X.X	+/- 0.03	X.	+/- 0.8				
X.XX	+/- 0.018	X.X	+/- 0.46		+/- 1°		
X.XXX	+/- 0.007	X.XX	+/- 0.18				
DRAWN BY				DATE		SCALE	
BAME				3-21-11		NONE	
DRAWING NUMBER:				10V179BE-DC			
SHT 1 OF 1				A			

2

1