

**TWO-DOOR WITH 3-POINT LATCHES, TYPE 4X**



**INDUSTRY STANDARDS**

UL 508A Listed; Type 3R, 4, 4X, 12; File No. E61997  
 cUL Listed per CSA C22.2 No 94; Type 3R, 4, 4X, 12; File No. E61997

NEMA Type 3, 3R, 4, 4X, 12, 13  
 IEC 60529, IP66  
 Meets NEMA Type 3RX requirements

**APPLICATION**

These two-door enclosures provide industry-leading protection for large components or complex mounting configurations in highly-corrosive environments. Three-point latching with the Hoffman POWERGLIDE padlocking handles and a foam-in-place gasket combine convenience with security. They are well-suited for use in petrochemical plants; pulp and paper processing; water treatment facilities; and food, pharmaceutical and packaging applications.

**SPECIFICATIONS**

- Manufactured from 12 gauge Type 304 or 316L stainless steel
- Backs are 10 or 12 gauge stainless steel with x-form stiffeners
- Seams continuously welded and ground smooth; no holes or knockouts
- Removable centerpost for easy panel installation
- Collar studs provided for mounting optional panels
- Panel supports included
- Heavy-duty lifting eyes are Type 316L stainless steel
- Heavy-duty 3-point latching mechanism operated by Type 316L stainless steel POWERGLIDE padlocking handles
- Body flange trough collar excludes liquids and contaminants
- Heavy-duty stainless steel continuous hinges support each door
- Bonding provision on doors; grounding studs on body
- Accessory mounting channel provided in enclosure top
- Data pocket is high-impact thermoplastic
- 12-in. (305-mm) removable floor stands are bolted to enclosure
- Seamless foam-in-place one-piece gasket provides oil-tight and dust-tight seal against contaminants
- External hardware manufactured of Type 316 stainless steel

**FINISH**

Enclosures are unpainted. Front, sides, top and back have smooth #4 brushed finish. Optional mild steel panels are painted white. Optional conductive panels are available.

**ACCESSORIES**

- Industrial Corrosion Inhibitors
- Electric Heater
- Electrical Interlocks
- PANELITE Enclosure Lights Overview
- Panel Support Kit

**MODIFICATION AND CUSTOMIZATION**

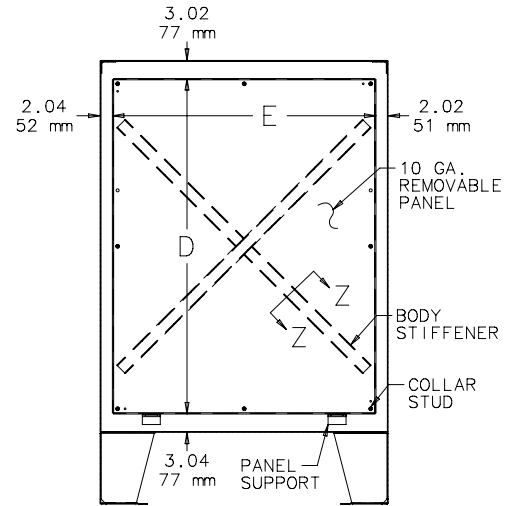
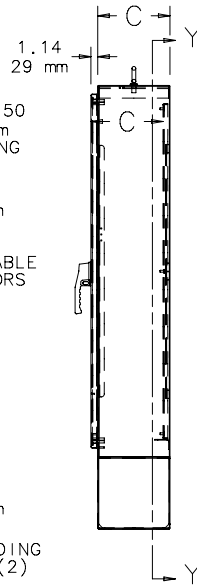
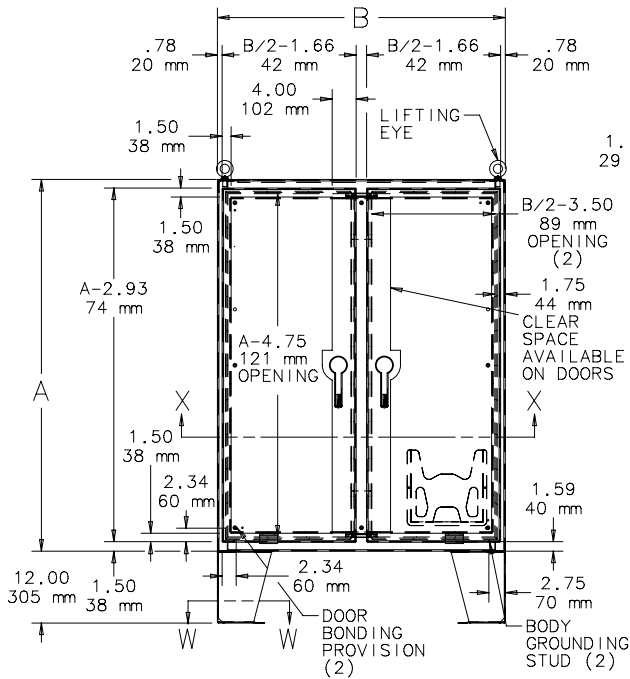
Hoffman excels at modifying and customizing products to your specifications. Contact your local Hoffman sales office or distributor for complete information.

**BULLETIN: A4S3**

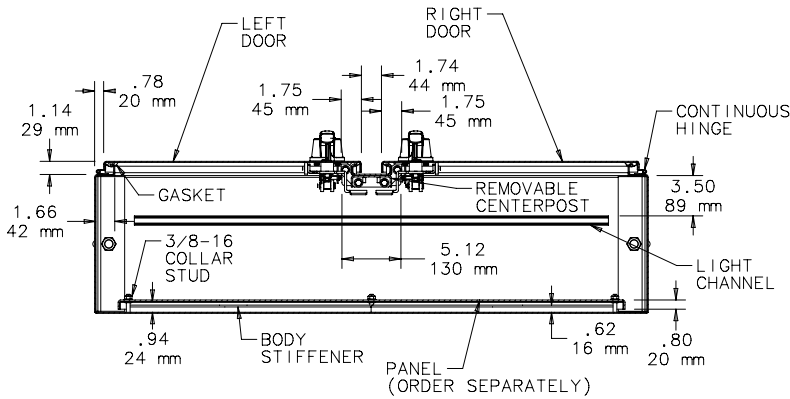
**Standard Product**

Catalog Number	AxBxC in.	AxBxC mm	Stainless Steel Type	Panel	Conductive Panel	Panel Size D x E (in.)	Panel Size D x E (mm)
A62H4812SSLP3PT	62.06 x 48.06 x 12.06	1576 x 1221 x 306	304	A60P48	A60P48G	56.00 x 44.00	1422 x 1118
A62H4812SS6LP3PT	62.06 x 48.06 x 12.06	1576 x 1221 x 306	316L	A60P48	A60P48G	56.00 x 44.00	1422 x 1118
A62H6012SSLP3PT	62.06 x 60.06 x 12.06	1576 x 1526 x 306	304	A60P60	A60P60G	56.00 x 56.00	1422 x 1422
A62H6012SS6LP3PT	62.06 x 60.06 x 12.06	1576 x 1526 x 306	316L	A60P60	A60P60G	56.00 x 56.00	1422 x 1422
A74H6012SSLP3PT	74.06 x 60.06 x 12.06	1881 x 1526 x 306	304	A72P60	A72P60G	68.00 x 56.00	1727 x 1422
A74H6012SS6LP3PT	74.06 x 60.06 x 12.06	1881 x 1526 x 306	316L	A72P60	A72P60G	68.00 x 56.00	1727 x 1422
A74H7212SSLP3PT	74.06 x 72.06 x 12.06	1881 x 1830 x 306	304	A72P72	A72P72G	68.00 x 68.00	1727 x 1727
A74H7212SS6LP3PT	74.06 x 72.06 x 12.06	1881 x 1830 x 306	316L	A72P72	A72P72G	68.00 x 68.00	1727 x 1727
A62H4818SSLP3PT	62.06 x 48.06 x 18.06	1576 x 1221 x 459	304	A60P48	A60P48G	56.00 x 44.00	1422 x 1118
A62H4818SS6LP3PT	62.06 x 48.06 x 18.06	1576 x 1221 x 459	316L	A60P48	A60P48G	56.00 x 44.00	1422 x 1118
A62H6018SSLP3PT	62.06 x 60.06 x 18.06	1576 x 1526 x 459	304	A60P60	A60P60G	56.00 x 56.00	1422 x 1422
A62H6018SS6LP3PT	62.06 x 60.06 x 18.06	1576 x 1526 x 459	316L	A60P60	A60P60G	56.00 x 56.00	1422 x 1422
A74H6018SSLP3PT	74.06 x 60.06 x 18.06	1881 x 1526 x 459	304	A72P60	A72P60G	68.00 x 56.00	1727 x 1422
A74H6018SS6LP3PT	74.06 x 60.06 x 18.06	1881 x 1526 x 459	316L	A72P60	A72P60G	68.00 x 56.00	1727 x 1422
A74H7218SSLP3PT	74.06 x 72.06 x 18.06	1881 x 1830 x 459	304	A72P72	A72P72G	68.00 x 68.00	1727 x 1727
A74H7218SS6LP3PT	74.06 x 72.06 x 18.06	1881 x 1830 x 459	316L	A72P72	A72P72G	68.00 x 68.00	1727 x 1727
A74H7224SSLP3PT	74.06 x 72.06 x 24.06	1881 x 1830 x 611	304	A72P72	A72P72G	68.00 x 68.00	1727 x 1727
A74H7224SS6LP3PT	74.06 x 72.06 x 24.06	1881 x 1830 x 611	316L	A72P72	A72P72G	68.00 x 68.00	1727 x 1727

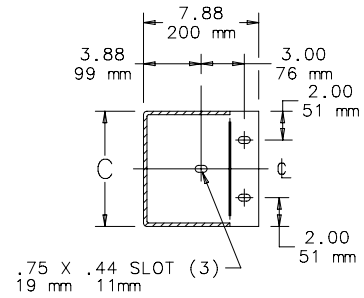
Purchase panels separately.



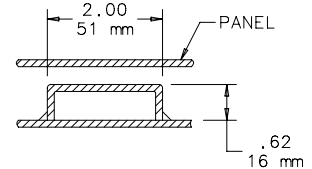
SECTION Y-Y



SECTION X-X



SECTION W-W



SECTION Z-Z

87784698