



a Hewlett Packard
Enterprise company

Aruba AP-5xx Indoor AP Mounts

All new mounts for the 802.11ax APs

Why the new mounts?

- The new AP mounts decrease the gap between the AP and ceiling/wall and work easily with side entry Ethernet cables.
- The new, larger APs require a more secure mounting solution to ensure a solid, stable connection to the mounting asset.
- The new AP mounts are all metal, so heat and discoloration will not be an issue.

Things to be aware of

- All indoor AP-5xx and future APs moving forward will use this new mount solution
- The new mount solution is NOT compatible with older access points (AP-2xx or AP-3xx)
- Older mount solutions are not directly compatible with the new AP-5xx APs, use of the mounting adapter AP-MNT-MP10-X can be used on the W2/W3 mounts
- All mounts ship in packs of 1 or packs of 10 only. Note there are also Central-specific parts for Central-specific BOMs/orders, please consult the AP ordering guides or Iris for part numbers

- ***All AP-5xx APs will ship with the 'Common Mount' pre-attached, and the mount kit will include all other required components to complete the mount.***
- **APs will NO LONGER ship with the 9/16th and 15/16th C1/C2 mounting brackets. All new AP orders will *require* the addition of a mounting solution**

Single AP Mount Kits

Part Number	J number	Product name	Description	CAT
AP-MNT-A	R3J15A	AP-MNT-A AP mount bracket (single) A	AP-MNT-A Campus AP mount bracket kit (single) type A: suspended ceiling rail, flat 9/16	OT
AP-MNT-B	R3J16A	AP-MNT-B AP mount bracket (single) B	AP-MNT-B Campus AP mount bracket kit (single) type B: suspended ceiling rail, flat 15/16	OT
AP-MNT-C	R3J17A	AP-MNT-C AP mount bracket (single) C	AP-MNT-C Campus AP mount bracket kit (single) type C: suspended ceiling rail, profile 9/16	OT
AP-MNT-D	R3J18A	AP-MNT-D AP mount bracket (single) D	AP-MNT-D Campus AP mount bracket kit (single) type D: solid surface	OT
AP-MNT-E	R3J19A	AP-MNT-E AP mount bracket (single) E	AP-MNT-E Campus AP mount bracket kit (single) type E: wall-box	OT

Multipack (qty 10) AP Mount Kits

Part Number	J number	Product name	Description	CAT
AP-MNT-MP10-A	JZ370A	AP-MNT-MP10-A AP mount bracket 10-pack A	AP-MNT-MP10-A Campus AP mount bracket kit (10-pack) type A: suspended ceiling rail, flat 9/16	OT
AP-MNT-MP10-B	Q9G69A	AP-MNT-MP10-B AP mount bracket 10-pack B	AP-MNT-MP10-B Campus AP mount bracket kit (10-pack) type B: suspended ceiling rail, flat 15/16	OT
AP-MNT-MP10-C	Q9G70A	AP-MNT-MP10-C AP mount bracket 10-pack C	AP-MNT-MP10-C Campus AP mount bracket kit (10-pack) type C: suspended ceiling rail, profile 9/16	OT
AP-MNT-MP10-D	Q9G71A	AP-MNT-MP10-D AP mount bracket 10-pack D	AP-MNT-MP10-D Campus AP mount bracket kit (10-pack) type D: solid surface	OT
AP-MNT-MP10-E	R1C72A	AP-MNT-MP10-E AP mount bracket 10-pack E	AP-MNT-MP10-E Campus AP mount bracket kit (10-pack) type E: wall-box	OT

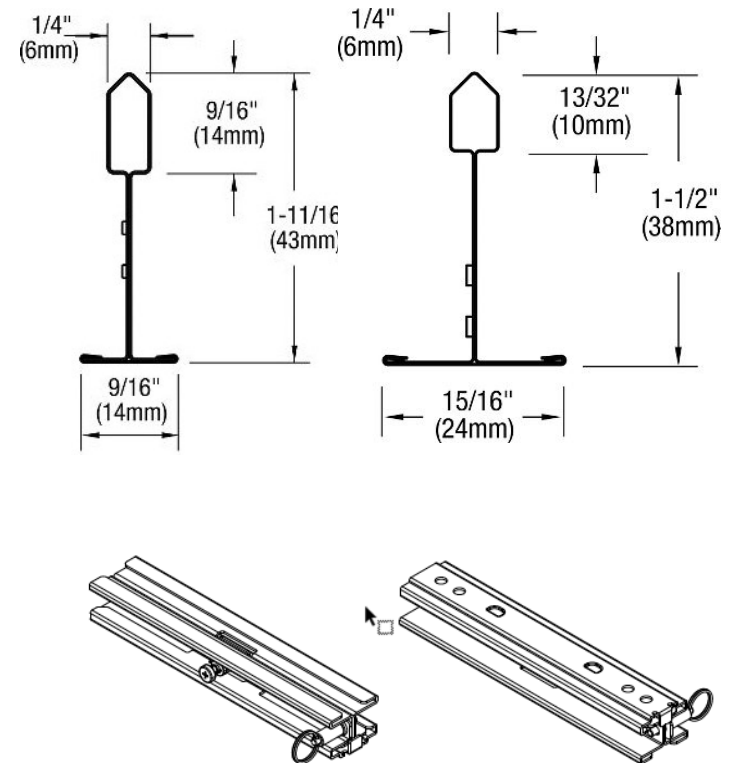
Wall/Surface Mount Adapter Bracket (AP-2xx-Wx to AP-5xx)

Part Number	J number	Product name	Description	CAT
AP-MNT-MP10-X	R3T20A	AP-MNT-MP10-X AP mount adapter 10-pack A	AP-MNT-MP10-X Campus AP mount adapter kit (10-pack)	OT

- These adapter brackets will support converting the following AP-2xx/3xx mounting brackets to allow for the mounting of an AP-5xx AP:
 - AP-220-MNT-W2 / W3
 - AP-200-MNT-W2 / W3
 - AP-310-MNT-W3
- Not to be used as a flat wall/surface mount use-case, these will not work for that use case.

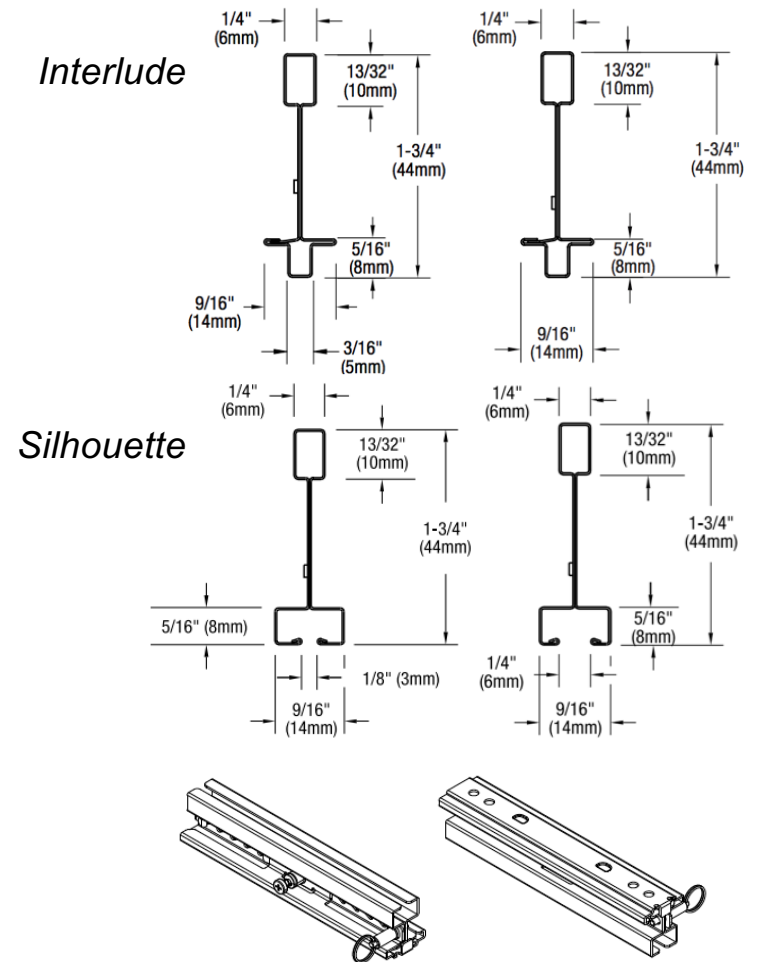
AP-MNT-MP10-A (9/16") and AP-MNT-MP10-B (15/16")

- The two mounts are different sizes, but assemble and function the same.
- Used on 9/16" or 15/16th" Suprafine or "Tee Systems"
- 3 pieces total
 - Two rails assemble around the Tee rail, held together with a small clip on the tail side
 - The AP mount attached with two screws to the AP, and then slides around the two Tee-rail assemblies.
 - Secure with the spring loaded pin and then tighten the retention screw to lock it in



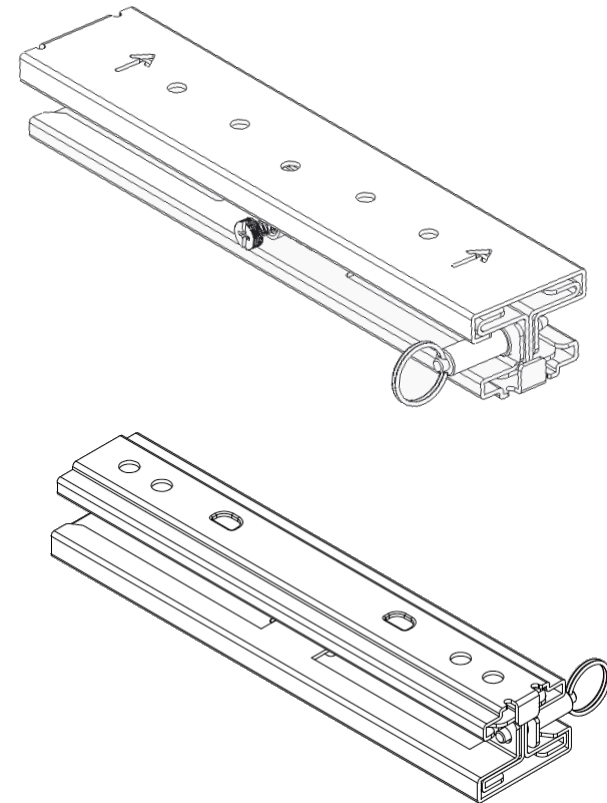
AP-MNT-MP10-C

- The mount covers both the “Interlude” (top) and “Silhouette” (bottom) style rails
- 3 pieces total
 - Two rails assemble around the suspension rail, held together with a small clip on the tail side
 - The AP mount attached with two screws to the AP, and then slides around the two Tee-rail assemblies.
 - Secure with the spring loaded pin and then tighten the retention screw to lock it in



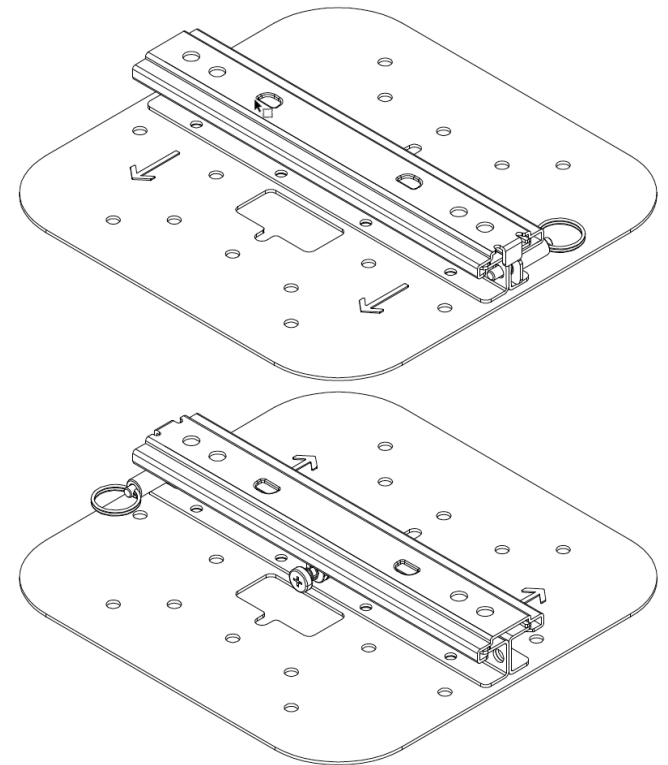
AP-MNT-MP10-D

- The mount covers a wall mount or fixed ceiling installation
- 4 pieces total
 - Two rails assemble that go between the wall mount rail and the AP mount rail
 - The AP mount rail attaches to the AP
 - Secure the wall mount rail to the wall or hard ceiling
 - Then slide the two-rail assembly between the AP and wall, secure with the spring pin and then lock it in place by tightening the screw to lock everything together



AP-MNT-MP10-E

- The mount provides a large, flat wall mount bracket that can attach to a flat wall, or a 1-gang or 2-gang electrical box
- 2 pieces total
 - The large, flat wall mount bracket with an integrated lower rail that will slide in to the AP mount bracket
 - The AP mount rail attaches to the AP
 - Secure the wall mount bracket to the wall or the 1-gang or 2-gang box, then slide the AP on over the rail on the mount to the AP.
 - Secure with the spring pin and then tighten the screw to secure the AP to the mount

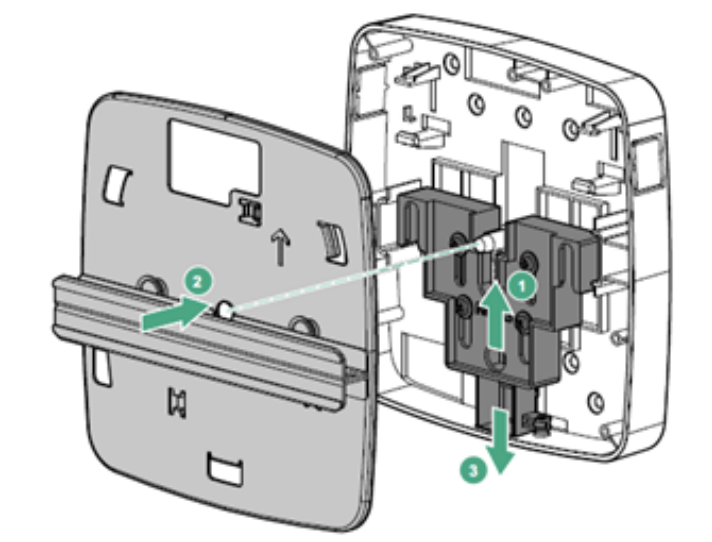


AP-MNT-MP10-X

–The mount serves as an adapter to allow for the mounting of the AP-5xx series APs to the older wall-mounts for the AP-2xx/3xx APs

- AP-220-MNT-W2 / W3
- AP-200-MNT-W2 / W3
- AP-310-MNT-W3

–Allows the retrofit of newer AP-5xx APs to mount to older W2/W3 mounts, noting that it will add some additional height to the AP (approx. 5/8")



New AP-5xx Mount Location

Screw threads to secure AP mount

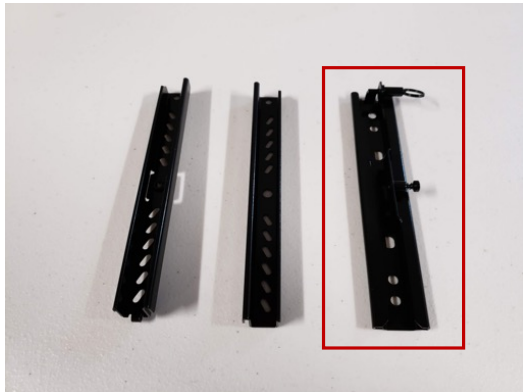


'Keyed' alignment knobs to ensure mount is properly installed.

All AP-5xx will ship with the Common Mount pre-attached (to minimize risk of customers damaging threads and to make new installs easier)



AP-MNT-MP10-A (9/16") and AP-MNT-MP10-B (15/16")



The common part of the mount is show inside the red box for illustrative purposes only. In production, this will be pre-installed on the AP, and the parts shipped will include the remaining parts required.

Pictured with the AP-555

AP-MNT-MP10-C (works with Interlude and Silhouette)



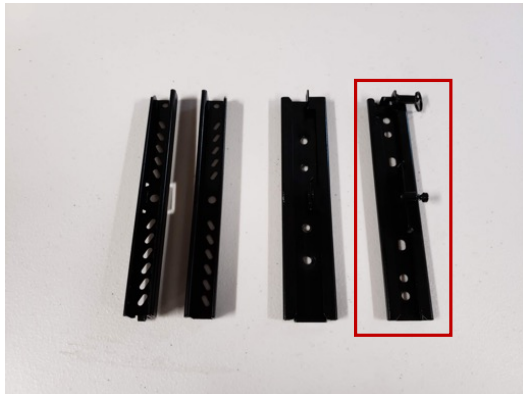
The common part of the mount is show inside the red box for illustrative purposes only. In production, this will be pre-installed on the AP, and the parts shipped will include the remaining parts required.

Pictured with the AP-555

AP-MNT-MP10-C (Interlude on top, Silhouette on bottom)



AP-MNT-MP10-D (fixed/solid ceiling or wall mount)

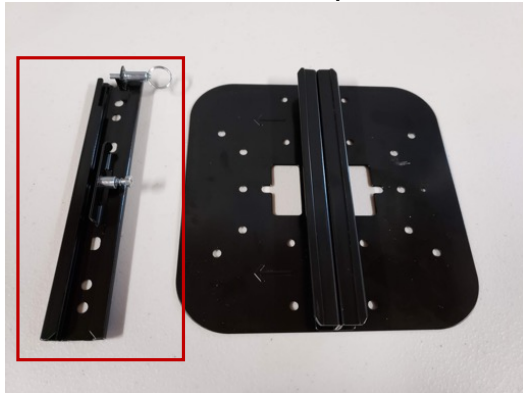


The common part of the mount is show inside the red box for illustrative purposes only. In production, this will be pre-installed on the AP, and the parts shipped will include the remaining parts required.

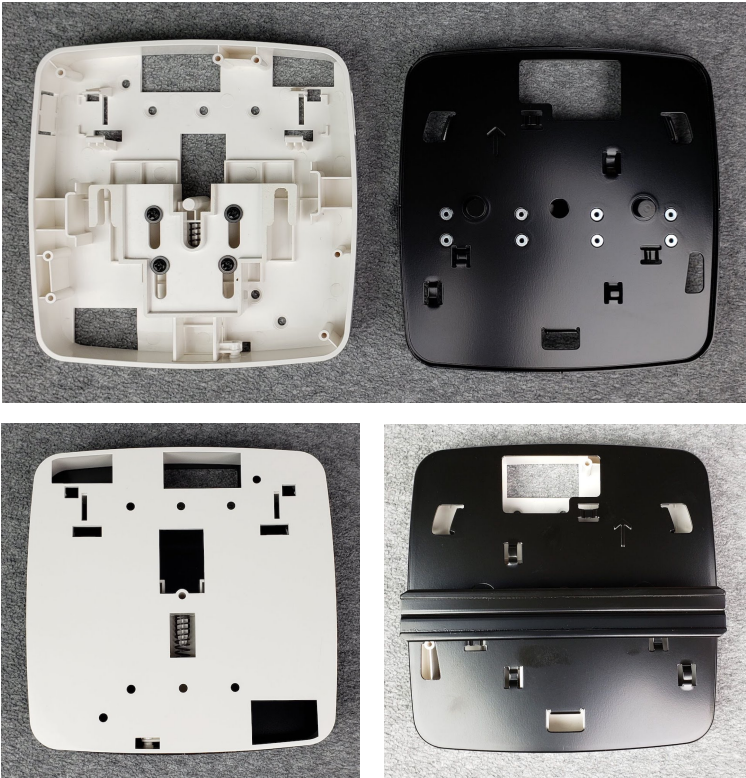
Pictured with the AP-555

AP-MNT-MP10-E (wall or 1-gang/2-gang wall box mount)

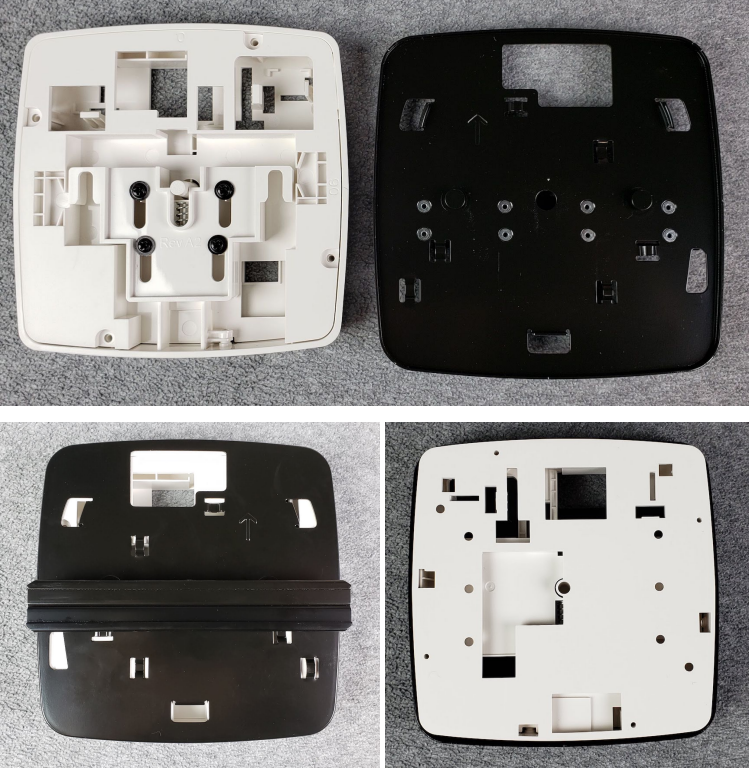
Note: In this case the plate mount is secured to the wall or 1-gang/2-gang box first. Then the AP will slide on to the mount.



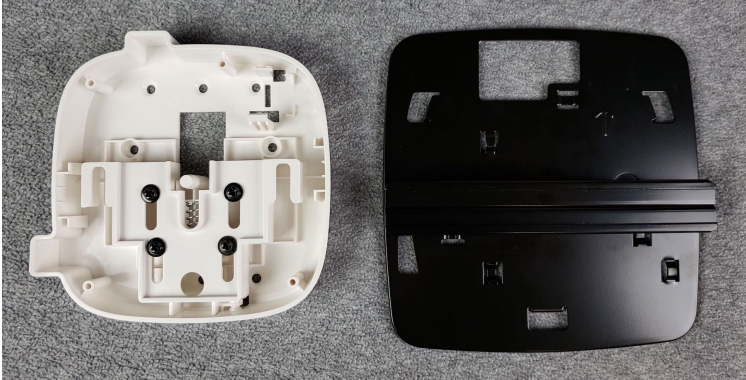
AP-MNT-MP10-X with AP-220-MNT-W3 (with AP-535)



AP-MNT-MP10-X with AP-200-MNT-W3 (with AP-505)



AP-MNT-MP10-X with AP-310-MNT-W3 (with AP-515)



aruba

a Hewlett Packard
Enterprise company

Thank you

Aruba-WLAN-TME