



Distribution Boxes

Bulletin Numbers 898D, 898H, 898P

Topic	Page
DC Micro Style Distribution Boxes	
Four-pin, One Signal per Port Cable Connector Distribution Box	3
Four-pin, Two Signals per Port Cable Connector Distribution Box	5
Four-pin, One Signal per Port Cable with Terminal Block Connector Distribution Box	7
Four-pin, One or Two Signals per Port Cable with M23 Main Connector Distribution Box	9
Pico Style Distribution Boxes	
Three-pin, Cable Connector Distribution Box	11
Three-pin, DC Micro Main Connector Distribution Box	13
IDC Style Distribution Boxes	
One Signal per Port Cable Connector Distribution Box	15

Summary of Changes

This publication contains the following new or updated information. This list includes substantive updates only and is not intended to reflect all changes.

Topic	Page
Updated Table 6	14

Four-pin, One Signal per Port Cable Connector Distribution Box



Eight-port DC Micro Distribution Box

Specifications

Attribute	Value
Certifications	UL Recognized and CSA Certified
Mechanical	
Material	Gray Pocan
Connector insert material	PBT
Receptacle shell material	Zinc die-cast with nickel plating
Contact material	Gold-plated palladium/nickel
Cable type	Oil-resistant black PUR/PVC jacket, (3) 18 AWG stranded copper, (4, 6, or 8) 22 AWG flex rated for 1 million cycles
Cable diameter	<ul style="list-style-type: none"> 4-port: 7.5 mm (0.30 in.) 6-port: 7.8 mm (0.31 in.) 8-port: 8.2 mm (0.32 in.)
Environmental	
Enclosure type rating	IP67, NEMA 6P, 1200 psi (8270 kPa) washdown
Operating temperature	-20...+90 °C (-4...+194 °F)

Product Selection

Ports	Status Indicator	Assembly Rating	Cat. No. ⁽¹⁾
4	—	10...30V DC, 2 A per channel/ 10 A total	898D-54PT-Bx
	PNP		898D-P54PT-Bx
	NPN		898D-N54PT-Bx
6	—		898D-56PT-Bx
	PNP		898D-P56PT-Bx
	NPN		898D-N56PT-Bx
8	—		898D-58PT-Bx
	PNP		898D-P58PT-Bx
	NPN		898D-N58PT-Bx
Device patchcords (straight to straight)			889D-F4ACDM-y ⁽²⁾

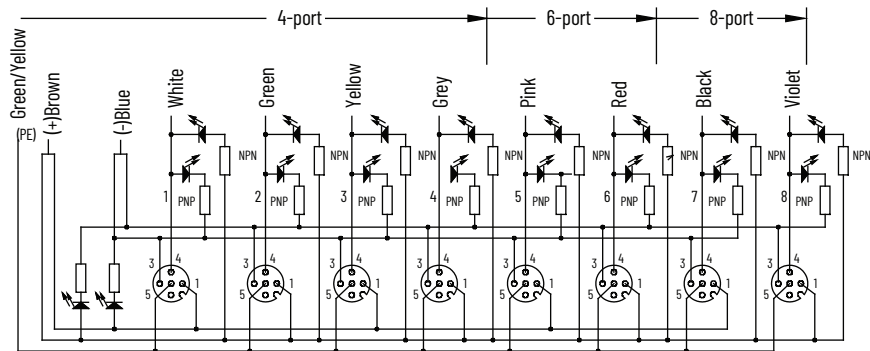
- (1) Replace x with 5 [5 m (16.40 ft)] or 10 [10 m (32.81 ft)] for standard cable lengths.
 (2) Replace y with 1 [1 m (3.28 ft)], 2 [2 m (6.56 ft)], 3 [3 m (9.84 ft)], 5 [5 m (16.40 ft)], or 10 [10 m (32.81 ft)] for standard cable lengths.

Mating Components and Accessories

Description	Cat. No.
Device patchcords	889D-F4ACDM-x ⁽¹⁾
Field attachable connectors	871A-TS4-DM
IDC field attachable connectors	889D-M4DC-H
Sealing caps ⁽²⁾	1485A-M12
Labels ⁽³⁾	1492-MS9X20

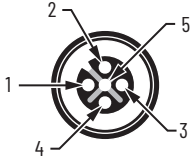

- (1) Replace x with 1 [1 m (3.28 ft)], 2 [2 m (6.56 ft)], 3 [3 m (9.84 ft)], 5 [5 m (16.40 ft)], or 10 [10 m (32.81 ft)] for standard cable lengths.
 (2) Two provided with box
 (3) One set provided with box

Wiring



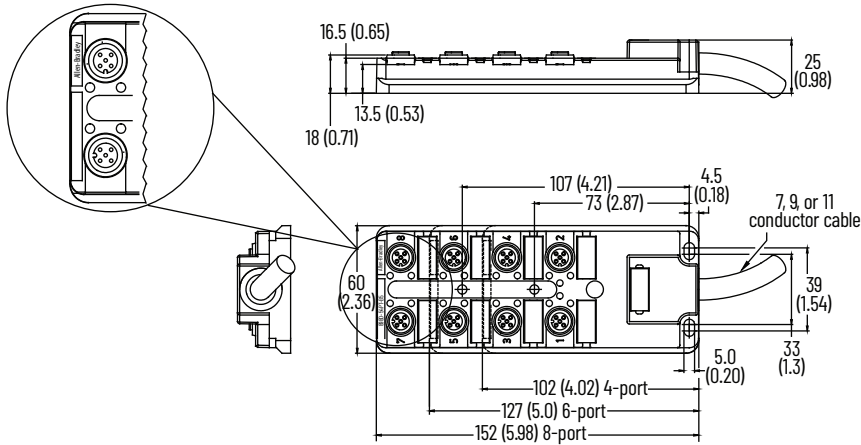
Wiring diagram shows both PNP and NPN wiring. Actual units use PNP status indicator, NPN status indicator, or neither.

Table 1 - Pinout

Device Connection			Main Connection
			
Ports (4-pin Concave)			Cable Connector
4-port	6-port	8-port	
Ground	Ground	Ground	Green/Yellow
(+) All Ports Pin 1	(+) All Ports Pin 1	(+) All Ports Pin 1	Brown
(-) All Ports Pin 3	(-) All Ports Pin 3	(-) All Ports Pin 3	Blue
Port 1 Pin 4	Port 1 Pin 4	Port 1 Pin 4	White
Port 2 Pin 4	Port 2 Pin 4	Port 2 Pin 4	Green
Port 3 Pin 4	Port 3 Pin 4	Port 3 Pin 4	Yellow
Port 4 Pin 4	Port 4 Pin 4	Port 4 Pin 4	Gray
-	Port 5 Pin 4	Port 5 Pin 4	Rose
-	Port 6 Pin 4	Port 6 Pin 4	Red
-	-	Port 7 Pin 4	Black
-	-	Port 8 Pin 4	Violet

Approximate Dimensions

Dimensions are shown in mm (in.).



Four-pin, Two Signals per Port Cable Connector Distribution Box



Eight-port DC Micro Distribution Box

Specifications

Attribute	Value
Certifications	UL recognized and CSA certified
Mechanical	
Material	Gray Pocan
Connector insert material	PBT
Receptacle shell material	Zinc die-cast with nickel plating
Contact material	Gold-plated palladium/nickel
Cable type	Oil-resistant black PUR/PVC jacket, (3) 18 AWG stranded copper, (8 or 16) 22 AWG flex rated for 1 million cycles
Cable diameter	<ul style="list-style-type: none"> 4-port: 8.2 mm (0.32 in.) 8-port: 9.7 mm (0.38 in.)
Environmental	
Enclosure type rating	IP67, NEMA 6P, 1200 psi (8270 kPa) washdown
Operating temperature	-20...+90 °C (-4...+194 °F)

Product Selection

Ports	Status Indicator	Assembly Rating	Cat. No. ⁽¹⁾
4	—	10...30V DC, 2 A per channel/ 10 A total	898D-54DT-Bx
	PNP		898D-P54DT-Bx
8	—		898D-58DT-Bx
	PNP		898D-P58DT-Bx
Device patchcords (straight to straight)			889D-F4ACDM-y ⁽²⁾
Device V-cables (straight)			879D-F4ACDM-y ⁽²⁾

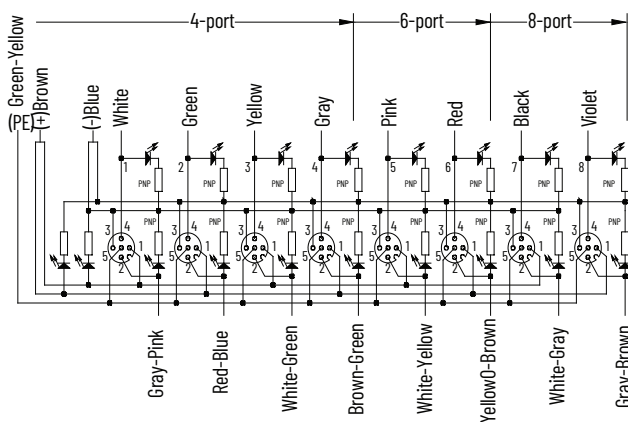
- (1) Replace x with 5 [5 m (16.40 ft)] or 10 [10 m (32.81 ft)] for standard cable lengths.
 (2) Replace y with 1 [1 m (3.28 ft)], 2 [2 m (6.56 ft)], 3 [3 m (9.84 ft)], 5 [5 m (16.40 ft)], or 10 [10 m (32.81 ft)] for standard cable lengths.

Mating Components and Accessories

Description	Cat. No.
Device patchcords	889D-F4ACDM-x ⁽¹⁾
Field attachable connectors	871A-TS4-DM
IDC field attachable connectors	889D-M4DC-H
V-cables	879D-F4ACDM-x ⁽¹⁾
Splitter	879D-F4DM
Sealing caps ⁽²⁾	1485A-M12
Labels ⁽³⁾	1492-MS9X20

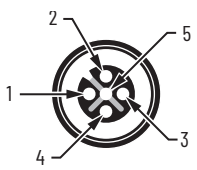

- (1) Replace x with 1 [1 m (3.28 ft)], 2 [2 m (6.56 ft)], 3 [3 m (9.84 ft)], 5 [5 m (16.40 ft)], or 10 [10 m (32.81 ft)] for standard cable lengths.
 (2) Two provided with box.
 (3) One set provided with box.

Wiring



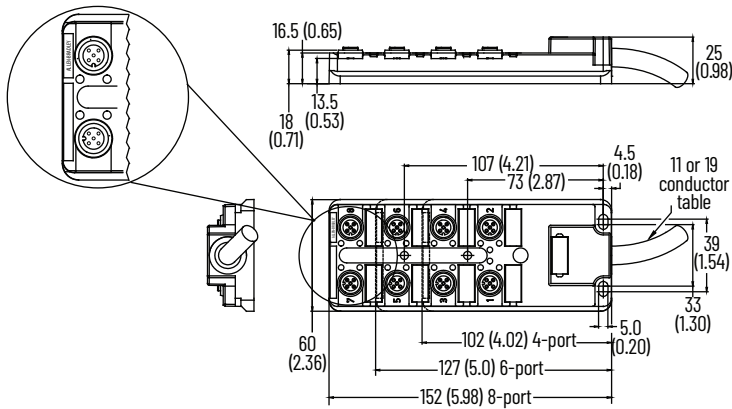
Wiring diagram shows PNP wiring. Actual units use PNP status indicator or no status indicator.

Table 2 - Pinout

Device Connection		Main Connection
		
Ports (4-pin Concave)		Cable Connector
4-port	8-port	
Ground	Ground	Green-Yellow
(+) All Ports Pin 1	(+) All Ports Pin 1	Brown
(-) All Ports Pin 3	(-) All Ports Pin 3	Blue
Port 1 Pin 4	Port 1 Pin 4	White
Port 2 Pin 4	Port 2 Pin 4	Green
Port 3 Pin 4	Port 3 Pin 4	Yellow
Port 4 Bin 4	Port 4 Pin 4	Gray
—	Port 5 Pin 4	Rose
—	Port 6 Pin 4	Red
—	Port 7 Pin 4	Black
—	Port 8 Pin 4	Violet
Port 1 Pin 2	Port 1 Pin 2	Gray-Pink
Port 2 Pin 2	Port 2 Pin 2	Red-Blue
Port 3 Pin 2	Port 3 Pin 2	White-Green
Port 4 Pin 2	Port 4 Pin 2	Brown-Green
—	Port 5 Pin 2	White-Yellow
—	Port 6 Pin 2	Yellow-Brown
—	Port 7 Pin 2	White-Gray
—	Port 8 Pin 2	Gray-Brown

Approximate Dimensions

Dimensions are shown in mm (in.).



Four-pin, One Signal per Port Cable with Terminal Block Connector Distribution Box



Eight-port DC Micro Distribution Box

Specifications

Attribute	Value
Certifications	UL recognized and CSA certified
Mechanical	
Material	Gray Pohan
Connector insert material	PBT
Receptacle shell material	Zinc die-cast with nickel plating
Contact material	Gold-plated palladium/nickel
Cable gland	M20 mounting thread
Cable diameter	6...10 mm (0.24...0.39 in.)
Environmental	
Enclosure type rating	IP67, 1200 psi (8270 kPa) washdown
Operating temperature	-20...+90 °C (-4...+194 °F)

Product Selection

Ports	Status Indicator	Assembly Rating	Cat. No.	
4	—	10...30V DC, 2 A per channel/ 10 A total or 8 A per input when 2 inputs are used	898D-54PT-T	
	PNP		898D-P54PT-T	
	NPN		898D-N54PT-T	
8	—		898D-58PT-T	
	PNP		898D-P58PT-T	
	NPN		898D-N58PT-T	
Device patchcords (straight to straight)			889D-F4ACDM-x ⁽¹⁾	

(1) Replace x with 1 [1 m (3.28 ft)], 2 [2 m (6.56 ft)], 3 [3 m (9.84 ft)], 5 [5 m (16.40 ft)], or 10 [10 m (32.81 ft)] for standard cable lengths.

Mating Components and Accessories

Description	Cat. No.
Device patchcords	889D-F4ACDM-x ⁽¹⁾
Field attachable connectors	871A-TS4-DM
IDC field attachable connectors	889D-M4DC-H
Sealing caps ⁽²⁾	1485A-M12
Labels ⁽³⁾	1492-MS9X20

(1) Replace x with 1 [1 m (3.28 ft)], 2 [2 m (6.56 ft)], 3 [3 m (9.84 ft)], 5 [5 m (16.40 ft)], or 10 [10 m (32.81 ft)] for standard cable lengths.

(2) Two provided with box.

(3) One set provided with box.

Wiring

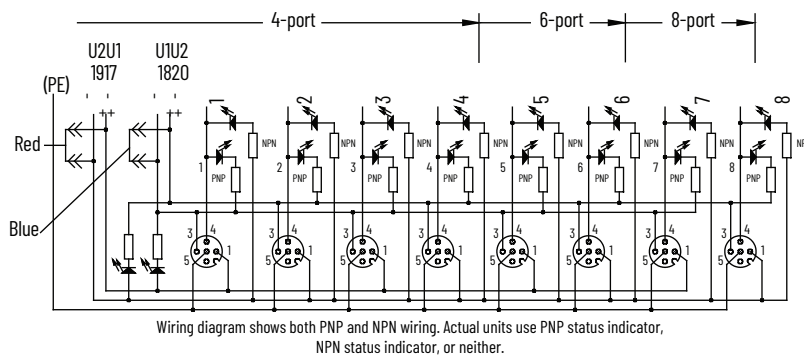
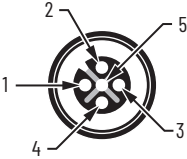
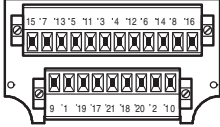
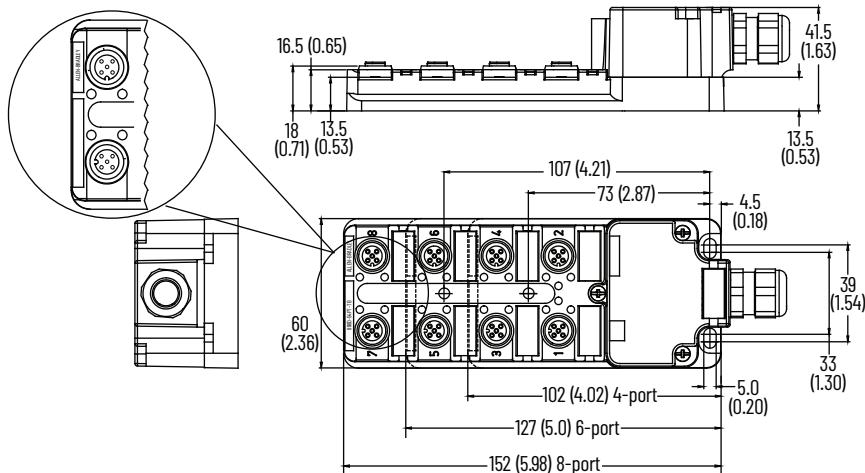


Table 3 - Pinout

Device Connection		Main Connection
		
Ports (4-pin Concave)		Terminal Block Connector
4-port	8-port	
Ground	Ground	PE
(+) Odd Ports Pin 1	(+) Odd Ports Pin 1	17
(+) Even Ports Pin 1	(+) Even Ports Pin 1	19
(-) Odd Ports Pin 3	(-) Odd Ports Pin 3	18
(-) Even Ports Pin 3	(-) Even Ports Pin 3	20
Port 1 Pin 4	Port 1 Pin 4	1
Port 2 Pin 4	Port 2 Pin 4	2
Port 3 Pin 4	Port 3 Pin 4	3
Port 4 Pin 4	Port 4 Pin 4	4
—	Port 5 Pin 4	5
—	Port 6 Pin 4	6
—	Port 7 Pin 4	7
—	Port 8 Pin 4	8

Approximate Dimensions

Dimensions are shown in mm (in.).



Four-pin, One or Two Signals per Port Cable with M23 Main Connector Distribution Box



Eight-port DC Micro Distribution Box

Specifications

Attribute	Value
Certifications	UL recognized and CSA certified
Mechanical	
Material	Gray Pocolan
Connector insert material	PBT
Receptacle shell material	Zinc die-cast with nickel plating
Contact material	Gold-plated palladium/nickel
Main connector style	12- and 19-pin M23
Environmental	
Enclosure type rating	IP67, 1200 psi (8270 kPa) washdown
Operating temperature	-20...+90 °C (-4...+194 °F)

Product Selection

Ports	No. of Signals per Port	Status Indicator	Assembly Rating	Cat. No.
4	Single (1)	—	10...30V DC, 2 A per channel/ 10 A total	898D-54PT-M12
		PNP		898D-P54PT-M12
8	Single (1)	—		898D-58PT-M12
		PNP		898D-P58PT-M12
4	Dual (2)	—		898D-54DT-M12
		PNP		898D-P54DT-M12
8	Dual (2)	—		898D-58DT-M19
		PNP		898D-P58DT-M19
Device patchcords (straight to straight)				889D-F4ACDM-x ⁽¹⁾
Homerun patchcord for 12-pin (right angle to straight)				889M-RT1RMMU-x ⁽¹⁾
Homerun patchcord for 19-pin (right angle to straight)				889M-R19RMMU-x ⁽¹⁾

(1) Replace x with 1 [1 m (3.28 ft)], 2 [2 m (6.56 ft)], 3 [3 m (9.84 ft)], 5 [5 m (16.40 ft)], or 10 [10 m (32.81 ft)] for standard cable lengths.

Mating Components and Accessories

Description	Cat. No. ⁽¹⁾
Device patchcords	889D-F4ACDM-x
Homerun patchcord (12-pin)	889M-R11RMMU-x
Homerun patchcord (19-pin)	889M-R19RMMU-x
V-cable (dual)	879D-F4ADM-2
Sealing caps ⁽²⁾	1485A-M12
Labels ⁽³⁾	1492-MS9X20

(1) Replace x with 1 [1 m (3.28 ft)], 2 [2 m (6.56 ft)], 3 [3 m (9.84 ft)], 5 [5 m (16.40 ft)], or 10 [10 m (32.81 ft)] for standard cable lengths.

(2) Two provided with box.

(3) One set provided with box.

Wiring

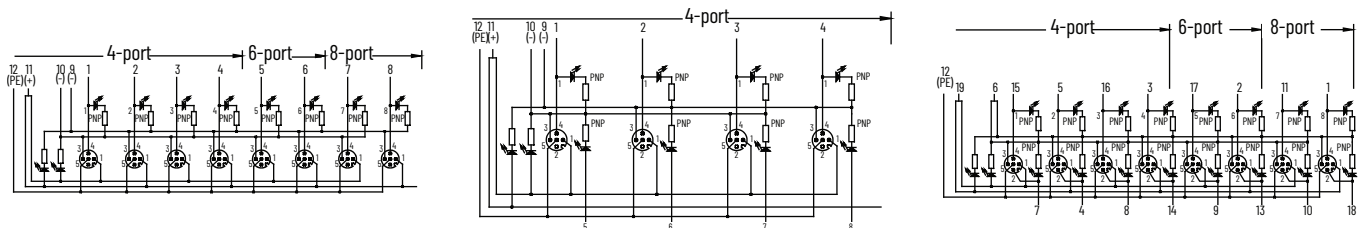
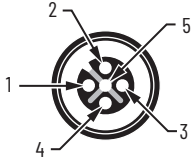
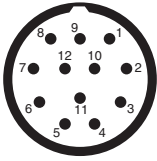
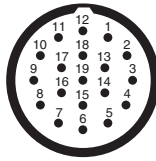
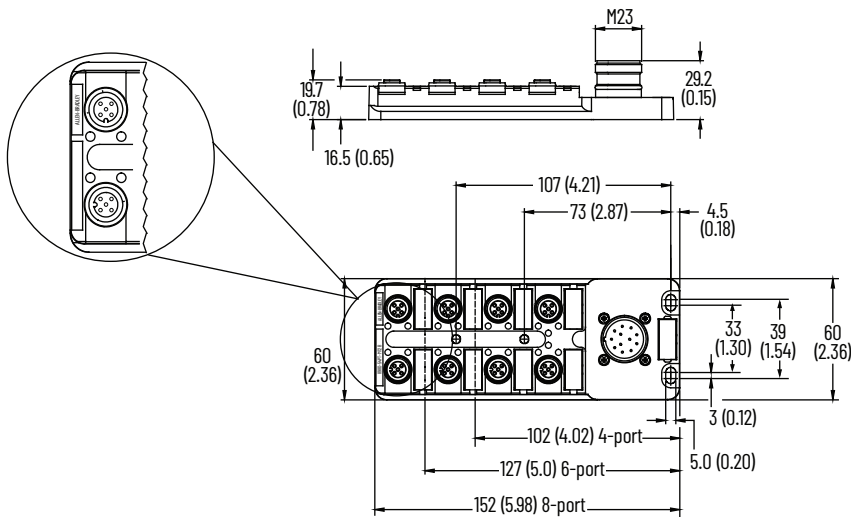


Table 4 - Pinout

Device Connection				Main Connection	
					
Ports (4-pin Concave)				M23 Connector (12-pin Convex)	M23 Connector (19-pin Convex)
4-port (Single-channel)	4-port (Dual-channel)	8-port (Single-channel)	8-port (Dual-channel)		
Ground	Ground	Ground	Ground	12	12
(+) All Ports Pin 1	(+) All Ports Pin 2	(+) All Ports Pin 1	(+) All Ports Pin 1	11	19
(-) All Ports Pin 3	(-) All Ports Pin 4	(-) All Ports Pin 3	(-) All Ports Pin 3	10 and 9	6
Port 1 Pin 4	Port 1 Pin 4	Port 1 Pin 4	Port 1 Pin 4	1	15
Port 2 Pin 4	Port 2 Pin 4	Port 2 Pin 4	Port 2 Pin 4	2	5
Port 3 Pin 4	Port 3 Pin 4	Port 3 Pin 4	Port 3 Pin 4	3	16
Port 4 Pin 4	Port 4 Pin 4	Port 4 Pin 4	Port 4 Pin 4	4	3
—	Port 1 Pin 2	Port 5 Pin 4	Port 5 Pin 4	5	17
—	Port 2 Pin 2	Port 6 Pin 4	Port 6 Pin 4	6	2
—	Port 3 Pin 2	Port 7 Pin 4	Port 7 Pin 4	7	11
—	Port 4 Pin 2	Port 8 Pin 4	Port 8 Pin 4	8	1
—	—	—	Port 1 Pin 2	—	7
—	—	—	Port 2 Pin 2	—	4
—	—	—	Port 3 Pin 2	—	8
—	—	—	Port 4 Pin 2	—	14
—	—	—	Port 5 Pin 2	—	9
—	—	—	Port 6 Pin 2	—	13
—	—	—	Port 7 Pin 2	—	10
—	—	—	Port 8 Pin 2	—	18

Approximate Dimensions

Dimensions are shown in mm (in.).



Three-pin, Cable Connector Distribution Box



Eight-port Pico Distribution Box

Specifications

Attribute	Value
Certifications	UL Recognized and CSA Certified
Mechanical	
Material	Gray Pohan
Connector insert material	PBT
Receptacle shell material	Nickel-plated brass
Contact material	Gold-plated palladium/nickel
Cable type	Oil-resistant black PUR/PVC jacket, (3) 18 AWG stranded copper, (4, 6, 8, 10 or 12) 22 AWG flex-rated for 1 million cycles
Cable diameter	<ul style="list-style-type: none"> 4-port: 6.4 mm (0.25 in.) 6-port: 7.2 mm (0.28 in.) 8-port: 7.4 mm (0.29 in.) 10-port: 7.6 mm (0.30 in.) 12-port: 9.8 mm (0.39 in.)
Environmental	
Enclosure type rating	IP67
Operating temperature	-20...+80 °C (-4...+176 °F)

Product Selection

Ports	Status Indicator	Assembly Rating	Cat. No. ⁽¹⁾
4	PNP	10...30V DC, 2 A per channel/ 6 A total	898P-P34PT-Bx
6			898P-P36PT-Bx
8			898P-P38PT-Bx
10			898P-P310PT-Bx
12			898P-P312PT-Bx
Device patchcords (3-pin straight to straight)			889P-F3ABPM-y ⁽²⁾

- (1) Replace x with 5 [5 m (16.40 ft)] or 10 [10 m (32.81 ft)] for standard cable lengths.
 (2) Replace y with 1 [1 m (3.28 ft)], 2 [2 m (6.56 ft)], 3 [3 m (9.84 ft)], 5 [5 m (16.40 ft)], or 10 [10 m (32.81 ft)] for standard cable lengths.

Mating Components and Accessories

Description	Cat. No.
Device patchcords	889P-F3ABPM-x ⁽¹⁾
Field attachable connectors	871A-TS3-PM
IDC field attachable connectors	889P-M3DC-H
Sealing caps ⁽²⁾	889A-PMCAP
Labels ⁽³⁾	1492-M5X10

- (1) Replace x with 1 [1 m (3.28 ft)], 2 [2 m (6.56 ft)], 3 [3 m (9.84 ft)], 5 [5 m (16.40 ft)], or 10 [10 m (32.81 ft)] for standard cable lengths.
 (2) Two provided with box.
 (3) One set provided with box.

Wiring

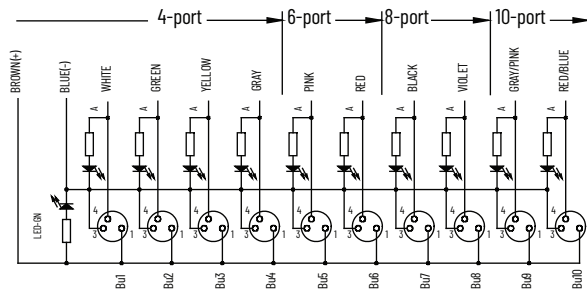
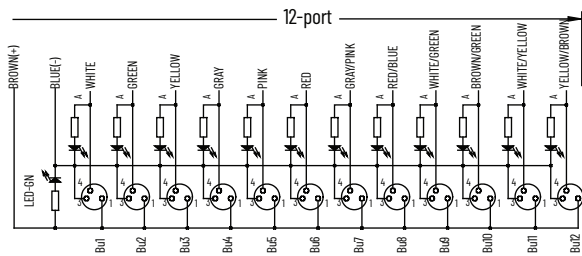


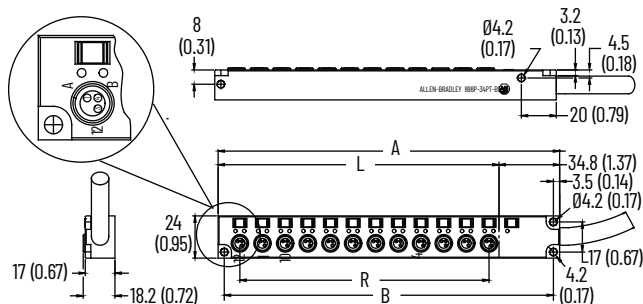


Table 5 - Pinout

Device Connection					Main Connection
					
Ports (3-pin Concave)					Cable
4-port	6-port	8-port	10-port	12-port	
Ground	Ground	Ground	Ground	Ground	Green/Yellow
(+) All Ports Pin 1	(+) All Ports Pin 1	(+) All Ports Pin 1	(+) All Ports Pin 1	(+) All Ports Pin 1	Brown
(-) All Ports Pin 3	(-) All Ports Pin 3	(-) All Ports Pin 3	(-) All Ports Pin 3	(-) All Ports Pin 3	Blue
Port 1 Pin 4	Port 1 Pin 4	Port 1 Pin 4	Port 1 Pin 4	Port 1 Pin 4	White
Port 2 Pin 4	Port 2 Pin 4	Port 2 Pin 4	Port 2 Pin 4	Port 2 Pin 4	Green
Port 3 Pin 4	Port 3 Pin 4	Port 3 Pin 4	Port 3 Pin 4	Port 3 Pin 4	Yellow
Port 4 Pin 4	Port 4 Pin 4	Port 4 Pin 4	Port 4 Pin 4	Port 4 Pin 4	Gray
—	Port 5 Pin 4	Port 5 Pin 4	Port 5 Pin 4	Port 5 Pin 4	Rose
—	Port 6 Pin 4	Port 6 Pin 4	Port 6 Pin 4	Port 6 Pin 4	Red
—	—	Port 7 Pin 4	Port 7 Pin 4	—	Black
—	—	Port 8 Pin 4	Port 8 Pin 4	—	Violet
—	—	—	Port 9 Pin 4	Port 7 Pin 4	Gray/Pink
—	—	—	Port 10 Pin 4	Port 8 Pin 4	Red/Blue
—	—	—	—	Port 9 Pin 4	White/Green
—	—	—	—	Port 10 Pin 4	Brown/Green
—	—	—	—	Port 11 Pin 4	White/Yellow
—	—	—	—	Port 12 Pin 4	Yellow/Brown

Approximate Dimensions

Dimensions are shown in mm (in.).



No. of Ports	L	R	B	A
4	57 (2.2)	39 (1.5)	85 (3.3)	92 (3.6)
6	83 (3.3)	65 (2.6)	111 (4.4)	118 (4.6)
8	109 (4.3)	91 (3.6)	137 (5.4)	144 (5.7)
10	135 (5.3)	117 (4.6)	163 (6.4)	170 (6.7)
12	161 (6.3)	143 (5.6)	189 (7.4)	196 (7.7)

Three-pin, DC Micro Main Connector Distribution Box



Six-port Pico Distribution Box

Specifications

Attribute	Value
Certifications	UL Recognized and CSA Certified
Mechanical	
Material	Gray Pocom
Connector insert material	PBT
Receptacle shell material	Nickel-plated brass
Contact material	Gold-plated palladium/nickel
Main connector style	8-pin DC micro
Environmental	
Enclosure type rating	IP67
Operating temperature	-20...+80 °C (-4...+176 °F)

Product Selection

Ports	Status Indicator	Assembly Rating	Cat. No.
4	PNP	10...30V DC, 2 A per channel/ 3 A total	898P-P34PT-D8
6			898P-P36PT-D8
Device patchcords (3-pin straight to straight)			889P-F3ABPM-x ⁽¹⁾
Homerun patchcord for D8 models (right angle to straight)			889D-R8ABDM-x ⁽¹⁾

(1) Replace x with 1 [1 m (3.28 ft)], 2 [2 m (6.56 ft)], 3 [3 m (9.84 ft)], 5 [5 m (16.40 ft)], or 10 [10 m (32.81 ft)] for standard cable lengths.

Mating Components and Accessories

Description	Cat. No.
Device patchcords (3-pin)	889P-F3ABPM-x ⁽¹⁾
DC micro homerun patchcord	889D-R8ABDM-x ⁽¹⁾
Field attachable connectors	871A-TS3-PM
IDC field attachable connectors	889P-M3DC-H
Sealing caps ⁽²⁾	889A-PMCAP
Labels ⁽³⁾	1492-M5X10

(1) Replace x with 1 [1 m (3.28 ft)], 2 [2 m (6.56 ft)], 3 [3 m (9.84 ft)], 5 [5 m (16.40 ft)], or 10 [10 m (32.81 ft)] for standard cable lengths.

(2) Two provided with box.

(3) One set provided with box.

Wiring

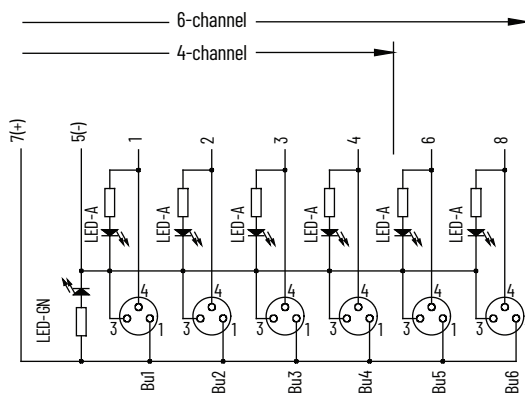

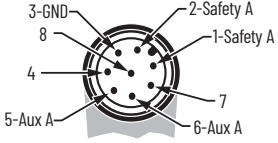
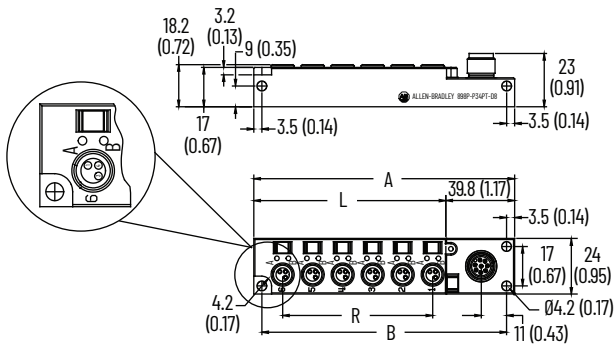


Table 6 - Pinout

Device Connection		Main Connection
		
Ports (3-pin Concave)		8-pin DC Micro
4-port	6-port	
(+) All Ports Pin 1	(-) All Ports Pin 1	7
(-) All Ports Pin 3	(+) All Ports Pin 3	5
Port 1 Pin 4	Port 1 Pin 4	1
Port 2 Pin 4	Port 2 Pin 4	2
Port 3 Pin 4	Port 3 Pin 4	3
Port 4 Pin 4	Port 4 Pin 4	4
—	Port 5 Pin 4	6
—	Port 6 Pin 4	8

Approximate Dimensions

Dimensions are shown in mm (in.).



No. of Ports	L	R	B	A
4	57 (2.2)	39 (1.5)	80 (3.1)	87 (3.4)
6	83 (3.3)	65 (2.6)	106 (4.2)	113 (4.4)

One Signal per Port Cable Connector Distribution Box



Eight-port IDC Style Distribution Box

IDC Insert

Specifications

Attribute	Value
Certifications	UL Recognized and CSA Certified
Mechanical	
Material	Gray Pocab
Connector insert material	PBT
Receptacle shell material	Nickel-plated brass
Contact material	Gold-plated palladium/nickel
IDC installations, max	10
Cable type	Oil-resistant black PUR/PVC jacket, (3) 18 AWG stranded copper, (8 or 16) 22 AWG flex-rated for 1 million cycles
Cable diameter	7.4 mm (0.29 in.)
Conductor OD	24...22 AWG, 1.6...2.0 mm (0.063...0.079 in.)
Environmental	
Enclosure type rating	IP67, 1200 psi (8270 kPa) washdown
Operating temperature	-20...+90 °C (-4...+194 °F)

Product Selection

Ports	Status Indicator	Assembly Rating	Cat. No.
8	—	10...30V DC, 2 A per channel/ 10 A total	898H-58PT-Bx ⁽¹⁾
	PNP		898H-P58PT-Bx ⁽¹⁾
Device patchcords (3-pin straight to straight)			889A-HCC3
Device patchcords (3-pin straight to straight)			889D-F4AC-y ⁽²⁾

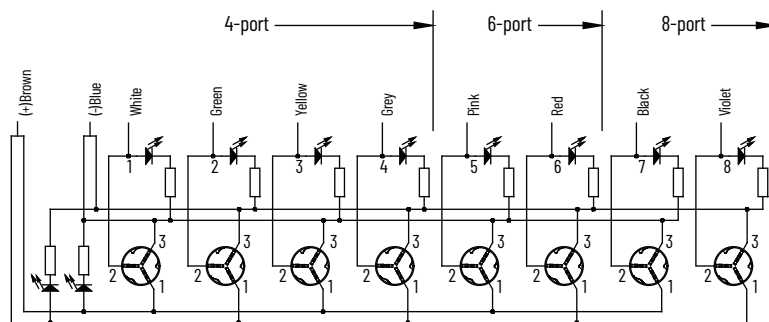
- (1) Replace x with 5 [5 m (16.40 ft)] or 10 [10 m (32.81 ft)] for standard cable lengths.
 (2) Replace y with 2 [2 m (6.56 ft)], 5 [5 m (16.40 ft)] or 10 [10 m (32.81 ft)] for standard cable lengths.

Mating Components and Accessories

Description	Cat. No.
Device patchcords	889D-F4AC-x ⁽¹⁾
Three-pole IDC insert (required for connection with IDC box)	889A-HCC3
Sealing caps ⁽²⁾	1485A-M12
Labels ⁽³⁾	1492-MS9X20

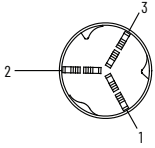

- (1) Replace x with 2 [2 m (6.56 ft)], 5 [5 m (16.40 ft)], or 10 [10 m (32.81 ft)] for standard cable lengths.
 (2) Two provided with box.
 (3) One set provided with box.

Wiring



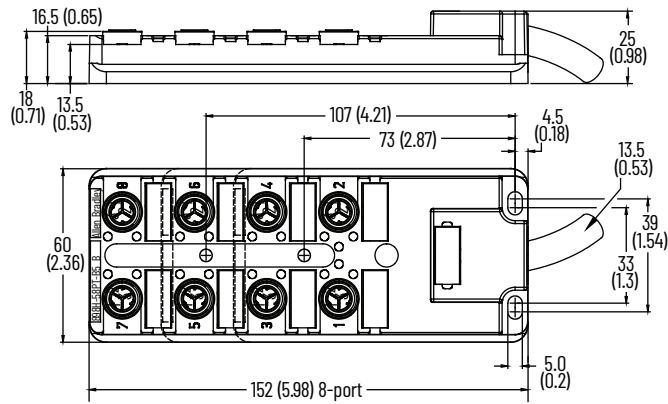
Wiring diagram shows PNP wiring. Actual units use PNP status indicator or no status indicator.

Table 7 - Pinout

Device Connection	Main Connection
	
Ports (IDC)	Cable Connector
8-port	
(+) All Ports Pin 1	Brown
(-) All Ports Pin 3	Blue
Port 1 Pin 2	White
Port 2 Pin 2	Green
Port 3 Pin 2	Yellow
Port 4 Pin 2	Gray
Port 5 Pin 2	Rose
Port 6 Pin 2	Red
Port 7 Pin 2	Black
Port 8 Pin 2	Violet

Approximate Dimensions

Dimensions are shown in mm (in.).



Additional Resources

These documents contain additional information concerning related products from Rockwell Automation. You can view or download publications at rok.auto/literature.

Resource	Description
System Security Design Guidelines Reference Manual, SECURE-RM001	Provides guidance on how to conduct security assessments, implement Rockwell Automation products in a secure system, harden the control system, manage user access, and dispose of equipment.
UL Standards Listing for Industrial Control Products, publication CMPNTS-SR002	Assists original equipment manufacturers (OEMs) with construction of panels, to help ensure that they conform to the requirements of Underwriters Laboratories.
American Standards, Configurations, and Ratings: Introduction to Motor Circuit Design, publication IC-AT001	Provides an overview of American motor circuit design based on methods that are outlined in the NEC.
Industrial Components Preventive Maintenance, Enclosures, and Contact Ratings Specifications, publication IC-TD002	Provides a quick reference tool for Allen-Bradley industrial automation controls and assemblies.
Safety Guidelines for the Application, Installation, and Maintenance of Solid-state Control, publication SGI-1.1	Designed to harmonize with NEMA Standards Publication No. ICS 1.1-1987 and provides general guidelines for the application, installation, and maintenance of solid-state control in the form of individual devices or packaged assemblies incorporating solid-state components.
Industrial Automation Wiring and Grounding Guidelines, publication 1770-4.1	Provides general guidelines for installing a Rockwell Automation industrial system.
Product Certifications website, rok.auto/certifications .	Provides declarations of conformity, certificates, and other certification details.

Rockwell Automation Support

Use these resources to access support information.

Technical Support Center	Find help with how-to videos, FAQs, chat, user forums, Knowledgebase, and product notification updates.	rok.auto/support
Local Technical Support Phone Numbers	Locate the telephone number for your country.	rok.auto/phonesupport
Technical Documentation Center	Quickly access and download technical specifications, installation instructions, and user manuals.	rok.auto/techdocs
Literature Library	Find installation instructions, manuals, brochures, and technical data publications.	rok.auto/literature
Product Compatibility and Download Center (PCDC)	Download firmware, associated files (such as AOP, EDS, and DTM), and access product release notes.	rok.auto/pcdc





Documentation Feedback

Your comments help us serve your documentation needs better. If you have any suggestions on how to improve our content, complete the form at rok.auto/docfeedback.

Allen-Bradley, expanding human possibility, and Rockwell Automation are trademarks of Rockwell Automation, Inc. Trademarks not belonging to Rockwell Automation are property of their respective companies.

Rockwell Automation maintains current product environmental compliance information on its website at rok.auto/pec.

Rockwell Otomasyon Ticaret A.Ş. Kar Plaza İş Merkezi E Blok Kat:6 34752, İçerenköy, İstanbul, Tel: +90 (216) 5698400 EEE Yönetmeliğine Uygundur

Connect with us.    

rockwellautomation.com ————— expanding **human possibility**[®]

AMERICAS: Rockwell Automation, 1201 South Second Street, Milwaukee, WI 53204-2496 USA, Tel: (1) 414.382.2000, Fax: (1) 414.382.4444

EUROPE/MIDDLE EAST/AFRICA: Rockwell Automation NV, Pegasus Park, De Kleetlaan 12a, 1831 Diegem, Belgium, Tel: (32) 2 663 0600, Fax: (32) 2 663 0640

ASIA PACIFIC: Rockwell Automation, Level 14, Core F, Cyberport 3, 100 Cyberport Road, Hong Kong, Tel: (852) 2887 4788, Fax: (852) 2508 1846

UNITED KINGDOM: Rockwell Automation Ltd. Pitfield, Kiln Farm Milton Keynes, MK11 3DR, United Kingdom, Tel: (44)(1908) 838-800, Fax: (44)(1908) 261-917

Publication 898-TD001C-EN-P - November 2022

Supersedes Publication 898-TD001B-EN-P - June 2019

Copyright © 2022 Rockwell Automation, Inc. All rights reserved. Printed in the U.S.A.