



Dialight® LED Area Light

Technical Specification Sheet - UL

Vigilant® LED Area Light

100-277 VAC, 120-250 VDC

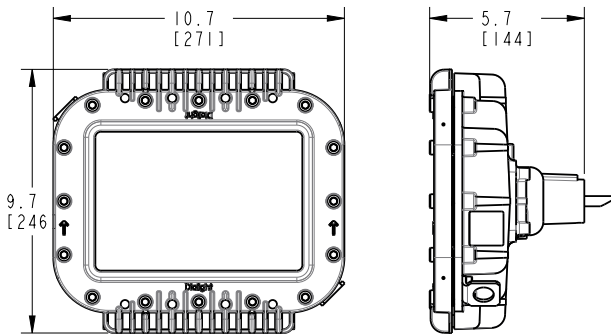


Certifications & Ratings*

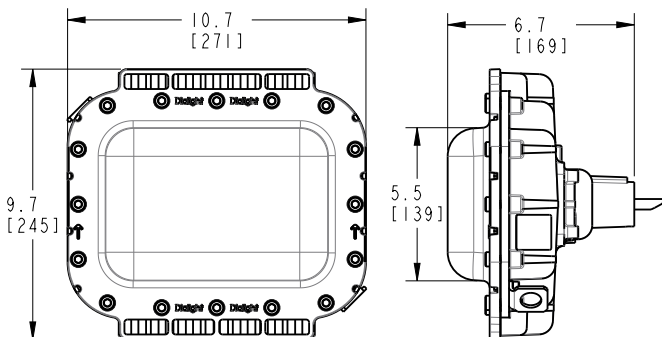
- 10 year warranty
- UL 1598/A
- CSA 22.2 #250.0
- IP66 / 67 / 69
- NEMA 4X

*ETL listed

Tempered Glass Lens



Polycarbonate Lens



Dimensions in inches [mm]

Mechanical Information:

Fixture weight:	10 lbs (4.5 kg) - Polycarbonate lens 12 lbs (5.5 kg) - Tempered glass lens
Wall mount models:	15 lbs (6.8 kg) - Polycarbonate lens 18 lbs (8.2 kg) - Tempered glass lens
45° wall mount models:	14 lbs (6.4 kg) - Polycarbonate lens 17 lbs (7.8 kg) - Tempered glass lens
45° stanchion mount:	15 lbs (6.7 kg) - Polycarbonate lens 18 lbs (8.1 kg) - Tempered glass lens
34mm conveyor mount:	15 lbs (6.7 kg) - Polycarbonate lens 18 lbs (8.1 kg) - Tempered glass lens

Shipping weight: Add 2 lbs (0.91kg) to weights above

Impact rating: IK10 - Polycarbonate lens
IK07 - Tempered glass lens

Vibration resistance: Tested per IEC 60068-2-6

Electrical Specifications:

Operating voltage: 100-277 VAC 50/60Hz, 120-250 VDC

Operating temperature: -40°F to +149°F (-40°C to +65°C)

EMC: FCC Title 47, Subpart B, Section 15, Class A device
CISPR-15
RF Immunity 20V/m 80MHz-1GHz.

Transient protection: 6 kV, 2 Ohm line-line and line-ground

Harmonics: IEC 61000-3-2, Class C

THD: < 20%

Power factor: > 0.9

Construction:

Housing: Copper free aluminum

Finish: Superior dual coat finish
- Sealed polyester topcoat
- Chemical-resistant epoxy primer

Corrosion resistance: 3,000-hour salt spray per ASTM B117

Lens¹: Hard-coated polycarbonate
Tempered glass

Photometric Information:

CRI: 80

CCT: 5000K (cool white)
4000K (neutral white)
2700K (warm white)

Optics: 360°
180° forward throw for 45° mounting
Wide for 0° mounting

All values typical unless otherwise stated (tolerance +/- 10%)

¹For information on chemical compatibility, please contact your local Dialight representative or follow this link to reference Dialight's Chemical Compatibility Guide:
www.dialight.com/pubs/MDTFCHEMRLX001.PDF

Vigilant® LED Area Light

100-277 VAC, 120-250 VDC

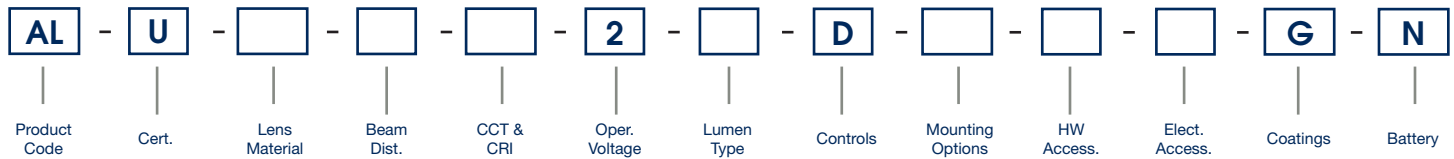


Project Information	
Part Number:	
Project:	
Fixture Type:	Date:

Notes

Specifications

Ordering Information



Product Code

AL Area Light

Certification

U UL 1598/A CSA 22.2 No. 250.0

Lens Material

- 5 Polycarbonate - Diffused
- 7 Glass - Clear

Beam Distribution

- A 180°
- B 360°
- W Wide

CCT & CRI

- C Cool White 5000K - 80 CRI
- N Neutral White 4000K - 80 CRI
- W Warm White 2700K - 80 CRI

Operating Voltage

2 100-277 VAC, 120-250 VDC

Lumen Type

- 3 3,001 - 4,000 Lumens
- 4 4,001 - 5,000 Lumens
- 6 5,001 - 6,000 Lumens
- 7 6,001 - 7,000 Lumens
- 9 8,001 - 9,000 Lumens

*For lumen output see page 10

Controls

D Dimming (0-10V)

Mounting Options

- Retro-fit Adapter
- Universal Mounting Adapter (UMA)

- A Appleton Mercmaster III
- B Swivel Bracket, Locking 0° - 90° 316 Stainless Steel
- C Crouse-Hinds - Champ
- G GE Filtr-Gard
- H Thomas & Betts Hazlux
- K Killark Certilite & Certilite V
- M Appleton Mercmaster II
- P Holophane Petrolux II, III
- N 3/4" NPT
- S 45° Stanchion Mount
- U UMA - Mounting Hub
- V 0° Wall Mount
- W 45° Wall Mount
- Y 34mm Conveyor Mount

Hardware Accessories

- N Factory Installed Mounting Adapters
- W 10 ft (3 meter) Power Cable

Electrical Accessories

N No Option

Coatings

G Gray (RAL 7040)

Battery

N No Option

Notes

- When ordering Beam Distribution W - Wide: Lumen Type = 7.
- When ordering Mounting Options "UMA" or "Retro-fit": Hardware Accessories = N.
- When ordering Mounting Option U - UMA Mounting Hub HZXW01, HZXW45, HZXS45 or HZXCV34 is required. See page 20 for details.
- Terminal block options only available when using "UMA" mounting options.

DuroSite® LED Area Light

347-480 VAC, 24-48 VDC, 120-277 VAC Battery Backup

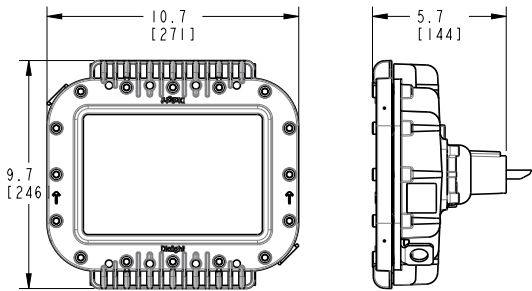


Certifications & Ratings*

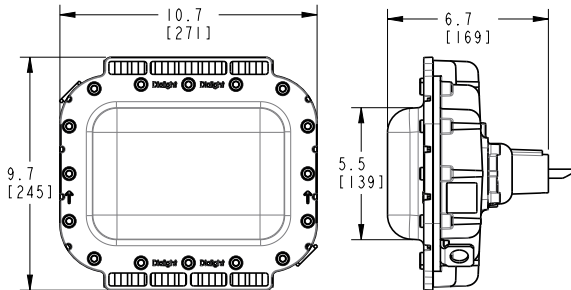
- 5 year warranty
- UL 1598/A
- CSA 22.2 No. 250.0
- IP66 / 67
- NEMA 4X

*ETL listed

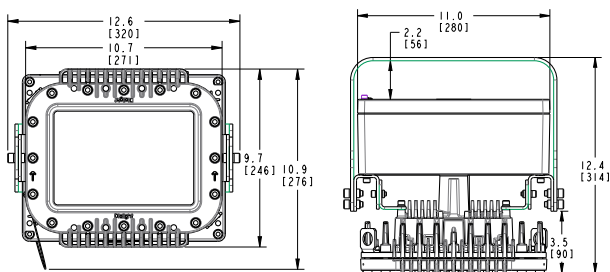
Tempered Glass Lens



Polycarbonate Lens



Battery Backup



Dimensions in inches [mm]

Mechanical Information:

Fixture weight:

Wall mount models:	15 lbs (6.8 kg) - Polycarbonate lens
	18 lbs (8.2 kg) - Tempered glass lens
45° wall mount models:	14 lbs (6.4 kg) - Polycarbonate lens
	17 lbs (7.8 kg) - Tempered glass lens
45° stanchion mount:	15 lbs (6.7 kg) - Polycarbonate lens
	18 lbs (8.1 kg) - Tempered glass lens
34mm conveyor mount:	15 lbs (6.7 kg) - Polycarbonate lens
	18 lbs (8.1 kg) - Tempered glass lens
Battery backup:	35 lbs (15.9 kg) - Polycarbonate lens
	37 lbs (16.8 kg) - Tempered glass lens

Shipping weight:

Add 2 lbs (0.91kg) to weights above

Cabling:

10' (3.5 m) 5 conductor SOOW
14" (0.4 m) 5 conductor SOOW
Terminal block option available for wall, wall 45° and stanchion 45°

Impact rating:

IK10 - Polycarbonate lens
IK07 - Tempered glass lens

Vibration resistance:

Tested per IEC 60068-2-6

Electrical Specifications:

Operating voltage:

347 - 480V
24 - 28V
120 - 277 VAC battery backup

Total system power consumption:

See table on pg. 6

Operating temperature:

-40°F to +149°F (-40°C to +65°C)

EMC:

FCC Title 47, Subpart B, Section 15, Class A device
CISPR-15
RF Immunity 20V/m 80MHz-1GHz.

Transient protection:

6 kV, 2 Ohm line-line and line-ground

Harmonics:

IEC 61000-3-2, Class C

THD:

< 20%

Power factor:

> 0.9

Construction:

Housing:

Copper free aluminum

Finish:

Superior dual coat finish
- Sealed polyester topcoat
- Chemical-resistant epoxy primer

Corrosion resistance:

3,000-hour salt spray per ASTM B117

Lens¹:

Hard-coated polycarbonate
Tempered glass

Photometric Information:

CRI:

75

CCT:

5000K (cool white)
4000K (neutral white)

Optics:

360°
180° forward throw for 45° mounting
Wide for 0° mounting

All values typical unless otherwise stated (tolerance +/- 10%)

¹For information on chemical compatibility, please contact your local Dialight representative or follow this link to reference Dialight's Chemical Compatibility Guide: www.dialight.com/pubs/MDTFCHEMFLX001.PDF



DuroSite® LED Area Light

347-480 VAC, 24-48 VDC, 100-277 VAC Battery Backup

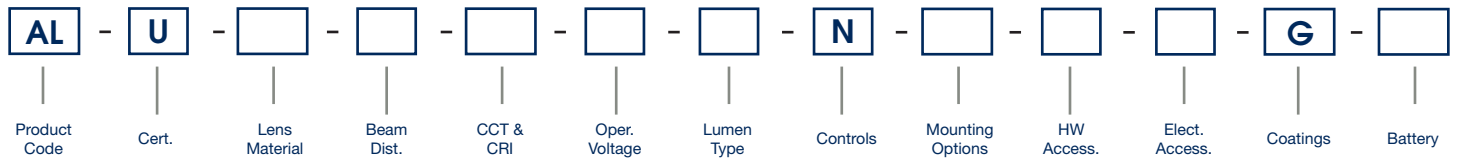


Project Information		
Part Number:		
Project:		
Fixture Type:		Date:

Notes

Specifications

Ordering Information



Product Code	AL Area Light
Certification	U UL 1598/A CSA 22.2 No. 250.0
Lens Material	5 Polycarbonate - Diffused 7 Glass - Clear
Beam Distribution	A 180° B 360°
CCT & CRI	A Amber B Cool White 5000K - 70 CRI L Neutral White 4000K - 70 CRI

Operating Voltage	2 100 - 277 VAC - Battery Backup 5 347 - 480 VAC 6 24 - 48 VDC
Lumen Type	4 3.1-4K 5 4.1-5K 6 5.1-6K 7 6.1-7K
Controls	N No Options

Mounting Options	Retro-fit Adapter Universal Mounting Adapter (UMA)
A	Appleton Mercmaster III
B	Swivel Bracket, Locking 0° - 90° 316 Stainless Steel
C	Crouse-Hinds - Champ
G	GE Filtr-Gard
H	Thomas & Betts Hazlux
K	Killark Certilite & Certilite V
M	Appleton Mercmaster II
N	3/4" NPT
S	45° Stanchion Mount
U	UMA - Mounting Hub
V	0° Wall Mount
W	45° Wall Mount
Y	34mm Conveyor Mount

Hardware Accessories	N Factory Installed Mounting Adapters W 10 ft (3 meter) Power Cable
Electrical Accessories	N No Option
Coatings	G Gray (RAL 7040)
Battery	F 180 min. N No Option

Notes
1) When using "UMA" or "Retro-fit" mounting options, Hardware Accessories = N.
2) Terminal block options only available when using "UMA" mounting options.
3) Not all lumen options available for all voltage options, consult table.

Notes - When Ordering Battery Backup Models Use...
1) Operating Voltage = 2 120 - 277 VAC
2) Beam Distribution = A 180° or B 360°
3) Mounting Options = N (stainless steel bracket included)
4) Hardware Accessories = N (junction box included)
5) Electrical Accessories = N (wiring via 3 positions push down terminal block)
6) Battery = F 180 min.
7) Battery backup circuit can be wired in sustained or maintained configurations

SafeSite® LED Area Light

100-277 VAC, 120-250 VDC



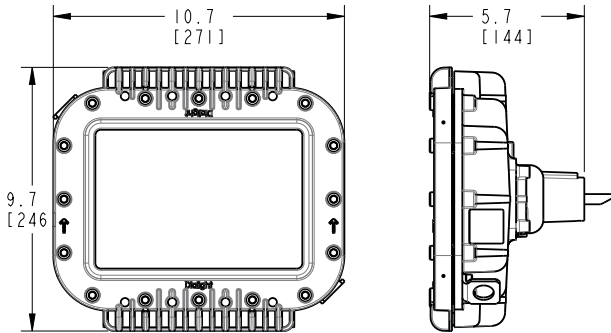
Certifications & Ratings*

- 10 year warranty
- UL 844, UL 1598/A
- Class I, Div 1, Groups B, C, D
- Class I, Div 2, Groups A, B, C, D
- Class II, Div 1, Groups E, F, G
- Class II, Div 2 Groups F, G

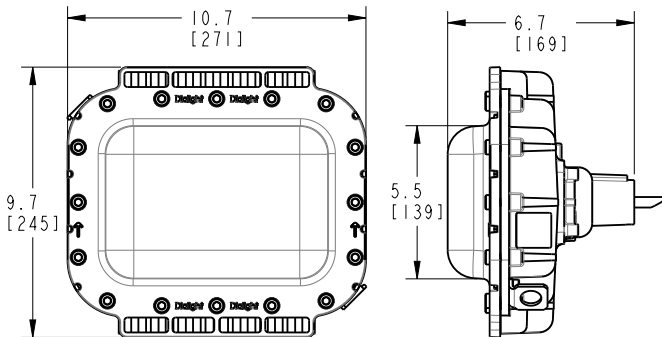
*ETL listed

- Class III, Div 1 & 2
- CSA 22.2 No. 137:1981
- CSA 22.2 No. 137-M81
- IP66 / 67 / 69
- NEMA 4X
- Factory sealed

Tempered Glass Lens



Polycarbonate Lens



Dimensions in inches [mm]

Mechanical Information:

Fixture weight:

Class I, Div. 1	14.5 lbs (5,5 kg)
CID2, Class II, Class III	10 lbs (4,5 kg) - Polycarbonate lens
	12 lbs (5,5 kg) - Glass lens
Wall mount models:	15 lbs (6,8 kg) - Polycarbonate lens
	18 lbs (8,2 kg) - Tempered glass lens
45° wall mount models:	14 lbs (6,4 kg) - Polycarbonate lens
	17 lbs (7,8 kg) - Tempered glass lens
45° stanchion mount:	15 lbs (6,7 kg) - Polycarbonate lens
	18 lbs (8,1 kg) - Tempered glass lens
34mm conveyor mount:	15 lbs (6,7 kg) - Polycarbonate lens
	18 lbs (8,1 kg) - Tempered glass lens

Shipping weight:

Add 2 lbs (0,91kg) to weights above

Cabling:

10' (3,5 m) 5 conductor SOOW
14" (0,4 m) 5 conductor SOOW

Impact rating:

IK10 - Polycarbonate lens
IK07 - Tempered glass lens

Vibration resistance:

Tested per IEC 60068-2-6

Electrical Specifications:

Operating voltage:

100 - 277 VAC 50/60Hz, 120-250 VDC

Total system power consumption:

See table

Operating temperature:

-40°F to +149°F (-40°C to +65°C)

EMC:

FCC Title 47, Subpart B, Section 15,
Class A device
CISPR-15
RF Immunity 20V/m 80MHz-1GHz.

Transient protection:

6 kV, 2 Ohm line-line and line-ground

Harmonics:

IEC 61000-3-2, Class C

THD:

< 20%

Power factor:

> 0,9

Construction:

Housing:

Copper free aluminum

Finish:

Superior dual coat finish
- Sealed polyester topcoat
- Chemical-resistant epoxy primer

Corrosion resistance:

3,000-hour salt spray per ASTM B117

Lens¹:

Tempered glass

Photometric Information:

CRI:

80

CCT:

5000K (cool white)
4000K (neutral white)
2700K (warm white)

Optics:

360°
180° forward throw for 45° mounting
Wide for 0° mounting

All values typical unless otherwise stated (tolerance +/- 10%)

¹For information on chemical compatibility, please contact your local Dialight representative or follow this link to reference Dialight's Chemical Compatibility Guide:
www.dialight.com/pubs/MDTFCHEMRFLX001.PDF

Temperature Ratings

Ambient Temperature Range T4A

Ambient Temperature Range T5

-40°F to +149°F (-40°C to +65°C)

-40°F to +113°F (-40°C to +45°C)

SafeSite® LED Area Light

100-277 VAC, 120-250 VDC

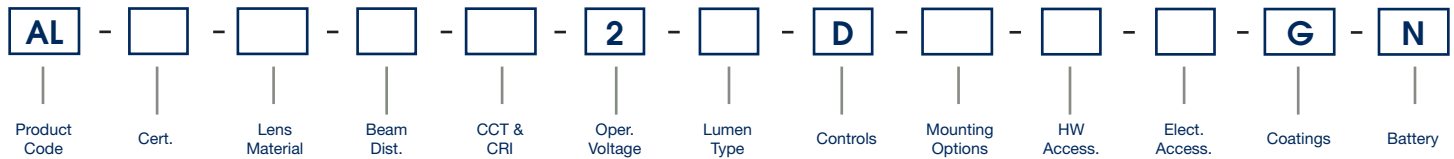


Project Information	
Part Number:	
Project:	
Fixture Type:	Date:

Notes

Specifications

Ordering Information



Product Code	CCT & CRI	Mounting Options	Hardware Accessories
AL Area Light	C Cool White 5000K - 80 CRI	<input type="checkbox"/> Retro-fit Adapter	N Factory Installed Mounting Adapters
Certification	N Neutral White 4000K - 80 CRI	<input type="checkbox"/> Universal Mounting Adapter (UMA)	W 10 ft (3 meter) Power Cable
C UL 844 Class I Div. 1 CSA C22.2 No. 137	Operating Voltage	A Appleton Mercmaster III	Electrical Accessories
D UL 844 Class I Div. 2 CSA C22.2 No. 137- M81	2 100-277 VAC, 120-250 VDC	B Swivel Bracket, Locking 0°- 90° 316 Stainless Steel	N No Option
F UL 844 Class II Div. 1, 2 Class I Div. 2 CSA C22.2 No. 137- M81	Lumen Type	C Crouse-Hinds - Champ	Coatings
P UL 844 Class I Div. 1 Group B (Hydrogen) CSA C22.2 No. 137	3 3,001 - 4,000 Lumens	G GE Filtr-Gard	G Gray (RAL 7040)
Lens Material	4 4,001 - 5,000 Lumens	H Thomas & Betts Hazlux	Battery
5 Polycarbonate - Diffused	6 5,001 - 6,000 Lumens	K Killark Certilite & Certilite V	N No Option
7 Glass - Clear	7 6,001 - 7,000 Lumens	M Appleton Mercmaster II	
Beam Distribution	9 8,001 - 9,000 Lumens	N 3/4" NPT	
A 180°	Controls	S 45° Stanchion Mount	
B 360°	D Dimming (0-10V)	U UMA - Mounting Hub	
W Wide		V 0° Wall Mount	
		W 45° Wall Mount	
		Y 34mm Conveyor Mount	

Notes
1) When ordering Certification C - UL 844 Class I Div. 1 or P - UL 844 Class I Div. 1 Group B (Hydrogen): Lens Material = 7 - Glass, Mounting Option = B - Swivel Bracket, Locking 0° - 90° 316 Stainless Steel or N - 3/4" NPT, Hardware Access. = W - 10ft (3 meter) Power Cable.
2) When ordering Beam Distribution W - Wide: Lumen Type = 7.
3) When ordering Mounting Options "UMA" or "Retro-fit": Hardware Accessories = N.
4) When ordering Mounting Option U - UMA Mounting Hub HZXW01, HZXW45, HZXS45 or HZXC34 is required. See page 20 for details.
5) For lumen output see page 10.

SafeSite® LED Area Light

347-480 VAC, 24-48 VDC, 120-277 VAC Battery Backup

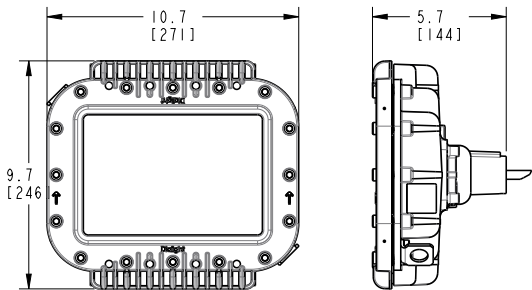


Certifications & Ratings*

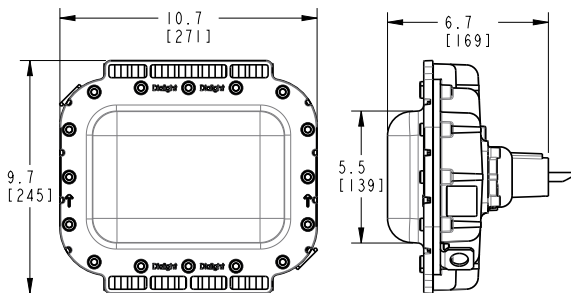
- 5 year warranty
- UL 844, UL 1598/A
- Class I, Div 1, Groups A, B, C, D
- Class I, Div 2, Groups A, B, C, D
- Class II, Div 1, Groups E, F, G
- Class II, Div 2, Groups F, G
- Class III, Div 1 & 2
- CSA 22.2 No. 137-M81
- CSA 22.2 No. 250.0
- IP66 / 67
- NEMA 4X
- Factory sealed

*ETL listed

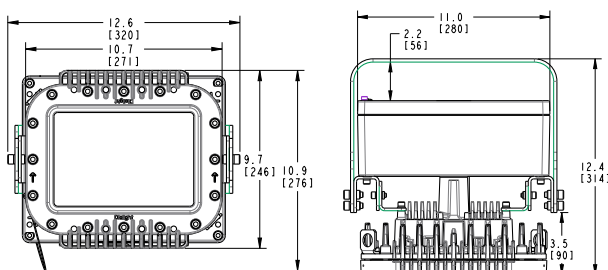
Tempered Glass Lens



Polycarbonate Lens



Battery Backup



Dimensions in inches [mm]

Mechanical Information:

Fixture weight:	4.5 lbs (5.5 kg) - Class I, Div. 1
CID2, Class II, Class III	10 lbs (4.5 kg) - Polycarbonate lens
	12 lbs (5.5 kg) - Glass lens
Wall mount models:	15 lbs (6.8 kg) - Polycarbonate lens
	18 lbs (8.2 kg) - Tempered glass lens
45° wall mount models:	14 lbs (6.4 kg) - Polycarbonate lens
	17 lbs (7.8 kg) - Tempered glass lens
45° stanchion mount:	15 lbs (6.7 kg) - Polycarbonate lens
	18 lbs (8.1 kg) - Tempered glass lens
34mm conveyor mount:	15 lbs (6.7 kg) - Polycarbonate lens
	18 lbs (8.1 kg) - Tempered glass lens
Battery backup:	35 lbs (15.9 kg) - Polycarbonate lens
	37 lbs (16.8 kg) - Tempered glass lens

Shipping weight: Add 2 lbs (0.91kg) to weights above

Cabling: 10' (3.5 m) 5 conductor SOOW
14" (0.4 m) 5 conductor SOOW

Impact rating: IK10 - Polycarbonate lens
IK07 - Tempered glass lens

Vibration resistance: Tested per IEC 60068-2-6

Electrical Specifications:

Operating voltage: 347 - 480V
24 - 28V
120 - 277 VAC battery backup

Total system power consumption: See table

Operating temperature: -40°F to +149°F (-40°C to +65°C)

EMC: FCC Title 47, Subpart B, Section 15, Class A device
RF Immunity 20V/m 80MHz-1GHz.

Transient protection: 6 kV, 2 Ohm line-line and line-ground

Harmonics: IEC 61000-3-2, Class C

THD: < 20%

Power factor: > 0.9

Construction:

Housing: Copper free aluminum

Finish: Superior dual coat finish
- Sealed polyester topcoat
- Chemical-resistant epoxy primer

Corrosion resistance: 3,000-hour salt spray per ASTM B117

Lens¹: Tempered glass

Photometric Information:

CRI: 75

CCT: 5000K (cool white)
4000K (neutral white)

Optics: 360°
180° forward throw for 45° mounting
Wide for 0° mounting

All values typical unless otherwise stated (tolerance +/- 10%)

¹For information on chemical compatibility, please contact your local Dialight representative or follow this link to reference Dialight's Chemical Compatibility Guide:
www.dialight.com/pubs/MDTFCHEMRFLX001.PDF

Temperature Ratings

Ambient Temperature Range T4A

Ambient Temperature Range T5

-40°F to +149°F (-40°C to +65°C)

-40°F to +113°F (-40°C to +45°C)



SafeSite® LED Area Light

347-480 VAC, 24-48 VDC, 100-277 VAC Battery Backup

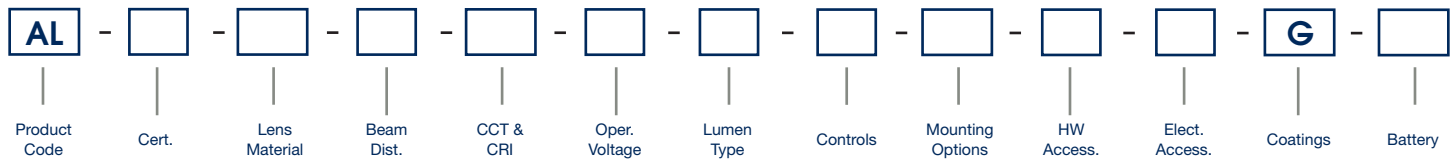


Project Information	
Part Number:	
Project:	
Fixture Type:	Date:

Notes

Specifications

Ordering Information



Product Code	CCT & CRI
AL Area Light	A Amber
Certification	B Cool White 5000K - 70 CRI
C UL 844 Class I Div. 1	L Neutral White 4000K - 70 CRI
D UL 844 Class I Div. 2 CSA 22.2 No. 137 - M81	Operating Voltage
F UL 844 Class II Div. 1, 2 Class I Div. 2 CSA 22.2 No. 137 - M81	2 100 - 277 VAC - Battery Backup
P UL 844 Class I Div. 1 Group B (Hydrogen)	5 347 - 480 VAC
Lens Material	6 24 - 48 VDC
5 Polycarbonate - Diffused	Lumen Type
7 Glass - Clear	480 VAC 24-48 VDC 120V Battery Backup
Beam Distribution	2 0.1-2K
A 180°	4 3.1-4K
B 360°	5 4.1-5K 5 4.1-5K
	6 5.1-6K
	7 6.1-7K 7 6.1-7K 7 6.1-7K
	Controls
	N No Options

Mounting Options	Hardware Accessories
<input type="checkbox"/> Retro-fit Adapter	N Factory Installed Mounting Adapters
<input type="checkbox"/> Universal Mounting Adapter (UMA)	W 10 ft (3 meter) Power Cable
Electrical Accessories	
A Appleton Mercmaster III	N No Option
B Swivel Bracket, Locking 0°- 90° 316 Stainless Steel	
C Crouse-Hinds - Champ	
G GE Filtr-Gard	
H Thomas & Betts Hazlux	
K Killark Certilite & Certilite V	
M Appleton Mercmaster II	
N 3/4" NPT	
S 45° Stanchion Mount	
U UMA - Mounting Hub	
V 0° Wall Mount	
W 45° Wall Mount	
Y 34mm Conveyor Mount	
	Coatings
	G Gray (RAL 7040)
	Battery
	F 180 min.
	N No Option

Notes
1) When ordering Certification C - UL 844 Class I Div. 1 or P - UL 844 Class I Div. 1 Group B (Hydrogen): Lens Material = 7 - Glass, Mounting Option = B - Swivel Bracket, Locking 0° - 90° 316 Stainless Steel or N - 3/4" NPT, Hardware Access. = W - 10ft (3 meter) Power Cable.
2) When using "UMA" or "Retro-fit" mounting options, Hardware Accessories = N.
3) Not all lumen options available for all voltage options, consult table.

Notes - When Ordering Battery Backup Models Use...
1) Certification = D UL 844 Class I, Division 2
2) Beam Distribution = A 180° or B 360°
3) Operating Voltage = 2 120 - 277 VAC
4) Mounting Options = N (stainless steel bracket included)
5) Hardware Accessories = N (junction box included)
6) Electrical Accessories = N (wiring via 3 positions push down terminal block)
7) Battery = F 180 min.
8) Battery backup circuit can be wired in sustained or maintained configurations

Lumen Tables

100-277 VAC, 120-250 VDC									
Output Family	Beam Distribution	Lens	Wattage	Lumens 5000 CCT	5000 CCT lm/W	Lumens 4000 CCT	4000 CCT lm/W	Lumens 2700 CCT	2700 CCT lm/W
9,000	360°	1/4" AR Glass	66	9000	136	8800	134	8200	124
		Class I, Div 1 Glass		8600	131	8400	128	7900	120
		Polycarbonate		8300	127	8100	123	7600	115
	180°	1/4" AR Glass		8800	134	8600	131	8000	121
		Class I, Div 1 Glass		8400	128	8200	125	7700	117
		Polycarbonate		8100	124	7900	120	7400	112
7,300	360°	1/4" AR Glass	52	7300	140	7100	138	6700	129
		Class I, Div 1 Glass		7000	135	6800	132	6400	123
		Polycarbonate		6700	131	6500	126	6100	117
	180°	1/4" AR Glass		7100	138	6900	134	6500	125
		Class I, Div 1 Glass		6800	132	6600	128	6200	119
		Polycarbonate		6600	128	6400	124	6000	115
	Wide	1/4" AR Glass		7300	114	7100	112	6700	105
		Class I, Div 1 Glass		7000	110	6800	107	6400	100
		Polycarbonate		6700	106	6500	103	6100	95
5,700	360°	1/4" AR Glass	40	5700	143	5500	140	5200	130
		Class I, Div 1 Glass		5400	137	5200	132	4900	123
		Polycarbonate		5300	133	5100	130	4800	120
	180°	1/4" AR Glass		5500	140	5300	135	5000	125
		Class I, Div 1 Glass		5300	134	5100	130	4800	120
		Polycarbonate		5100	130	4900	125	4600	115
4,200	360°	1/4" AR Glass	30	4200	140	4100	137	3800	127
		Class I, Div 1 Glass		4000	134	3900	131	3600	120
		Polycarbonate		3900	130	3800	127	3900	130
	180°	1/4" AR Glass		4100	137	4000	134	4100	137
		Class I, Div 1 Glass		3900	132	3800	127	3900	130
		Polycarbonate		3800	127	3700	124	3400	113
3,100	360°	1/4" AR Glass	24	3100	129	3000	127	2800	117
		Class I, Div 1 Glass		2900	124	2900	121	2600	108
		Polycarbonate		2800	120	2700	114	2500	104
	180°	1/4" AR Glass		3000	127	2900	123	2700	113
		Class I, Div 1 Glass		2900	121	2800	118	2600	108
		Polycarbonate		2800	118	2700	114	2500	104

24-48 VDC							
Output Family	Beam Distribution	Lens	Wattage	Lumens 5000 CCT	5000 CCT lm/W	Lumens 4000 CCT	4000 CCT lm/W
7,000	360°	1/4" AR Glass	71	7000	99	6800	97
		Class I, Div 1 Glass		6700	95	6500	93
		Polycarbonate		6700	95	6500	93
	180°	1/4" AR Glass		7000	99	6800	97
		Class I, Div 1 Glass		6700	95	6500	93
		Polycarbonate		6700	95	6500	93
5,000	360°	1/4" AR Glass	49	5000	102	4900	100
		Class I, Div 1 Glass		4800	98	4700	96
		Polycarbonate		4800	98	4700	96
	180°	1/4" AR Glass		5000	102	4900	100
		Class I, Div 1 Glass		4800	98	4700	96
		Polycarbonate		4800	98	4700	96
3,000	360°	1/4" AR Glass	27	3000	111	2900	109
		Class I, Div 1 Glass		2800	107	2800	105
		Polycarbonate		2800	107	2800	105
	180°	1/4" AR Glass		3000	111	2900	109
		Class I, Div 1 Glass		2800	111	2800	105
		Polycarbonate		2800	107	2800	105

All values typical unless otherwise stated (tolerance +/- 10%)
 For lighting layouts, please find IES files at www.dialight.com

Lumen Tables

340-480 VAC							
Output Family	Beam Distribution	Lens	Wattage	Lumens 5000 CCT	5000 CCT lm/W	Lumens 4000 CCT	4000 CCT lm/W
7,250	360°	1/4" AR Glass	68	7200	107	7100	104
		Class I, Div 1 Glass		6900	102	6800	100
		Polycarbonate		6900	102	6800	100
	180°	1/4" AR Glass		7200	107	7100	104
		Class I, Div 1 Glass		6900	102	6800	100
		Polycarbonate		6900	102	6800	100
6,000	360°	1/4" AR Glass	58	6000	103	5800	101
		Class I, Div 1 Glass		5700	99	5600	97
		Polycarbonate		5700	99	5600	97
	180°	1/4" AR Glass		6000	103	5800	101
		Class I, Div 1 Glass		5700	99	5600	97
		Polycarbonate		5700	99	5600	97
5,000	360°	1/4" AR Glass	47	5000	106	4900	104
		Class I, Div 1 Glass		4800	102	4700	100
		Polycarbonate		4800	102	4700	100
	180°	1/4" AR Glass		5000	106	4900	104
		Class I, Div 1 Glass		4800	106	4700	100
		Polycarbonate		4800	102	4700	100
4,100	Wide	Polycarbonate	55	4100	75	4000	73
4,000	360°	1/4" AR Glass	38	4000	105	3900	103
		Class I, Div 1 Glass		3800	101	3700	99
		Polycarbonate		3800	101	3700	99
	180°	1/4" AR Glass		4000	105	3900	103
		Class I, Div 1 Glass		3800	101	3700	99
		Polycarbonate		3800	101	3700	99
2,200	360°	1/4" AR Glass	21	2200	105	2200	105
		Class I, Div 1 Glass		2200	105	2200	105
		Polycarbonate		2200	105	2200	105
	180°	1/4" AR Glass		2200	105	2200	105
		Class I, Div 1 Glass		2200	105	2200	105
		Polycarbonate		2200	105	2200	105

100-277 VAC Battery Backup							
Output Family	Beam Distribution	Lens	Wattage	Lumens 5000 CCT	5000 CCT lm/W	Lumens 4000 CCT	4000 CCT lm/W
7,500	360°	1/4" AR Glass	85	7500	88	7300	86
		Polycarbonate		7200	85	7000	83
	180°	1/4" AR Glass		7500	88	7300	86
		Polycarbonate		7200	85	7000	83

All values typical unless otherwise stated (tolerance +/- 10%)
 For lighting layouts, please find IES files at www.dialight.com

Lumen Maintenance Factor Tables

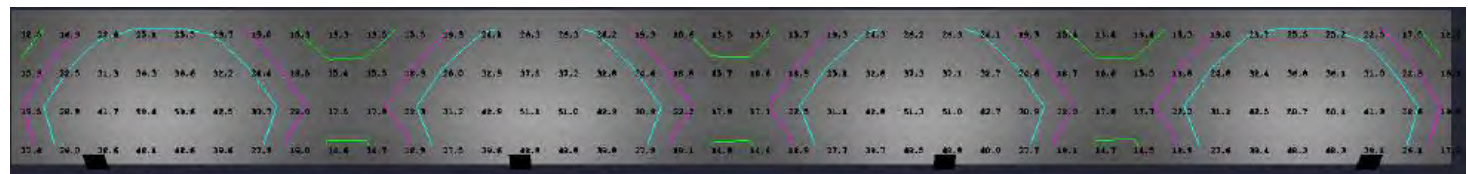
Lumen Maintenance Factor										
Time (Hours)										
Ambient (C)	0	15000	30000	45000	60000	75000	90000	100000	200000	300000
25°	100	98	96	95	94	92	91	90	82	75
30°	100	98	96	95	94	92	91	90	82	75
35°	100	98	96	95	94	92	91	90	82	75
40°	100	98	96	95	94	92	91	90	82	75
45°	100	98	96	95	94	92	91	90	82	75
50°	99	97	95	94	93	91	90	89	81	74
55°	98	96	94	93	92	90	89	88	81	73
60°	97	95	93	92	91	90	88	88	80	73
65°	96	94	92	91	90	89	87	87	79	72

Measured LED temperature for an ambient temperature range of 25°C to 65°C and calculated lumen maintenance using TM-21 calculator and LED LM80 data. Data in the above tables relates to 100 – 277 VAC, 120-250 VDC product. For information about 347-480 VAC, 24-48 VDC, Battery back-up products please visit www.dialight.com.

Lighting Layouts

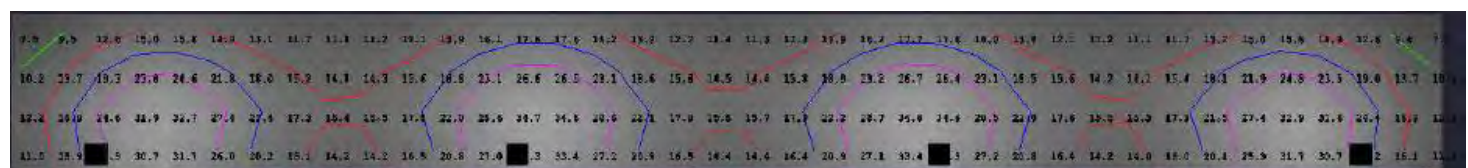
ALU7AN29xxxxxN

Calculation Summary - Mounting Height: 8'						
Calc Type	Units	Avg	Max	Min	Avg/Max	Max/Min
Illuminance	fc	27.32	51.3	12.5	2.19	4.10



ALU7WN29xxxxxN

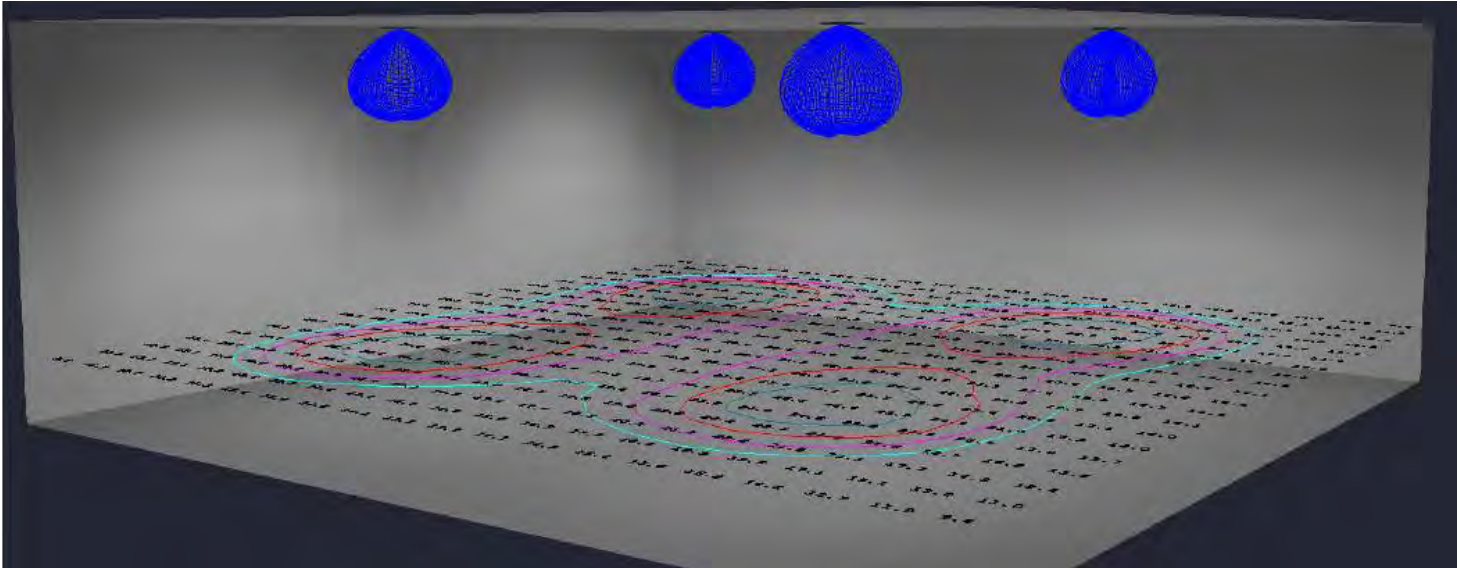
Calculation Summary - Mounting Height: 8'						
Calc Type	Units	Avg	Max	Min	Avg/Max	Max/Min
Illuminance	fc	19.23	34.8	7.5	2.56	4.64



Lighting Layouts

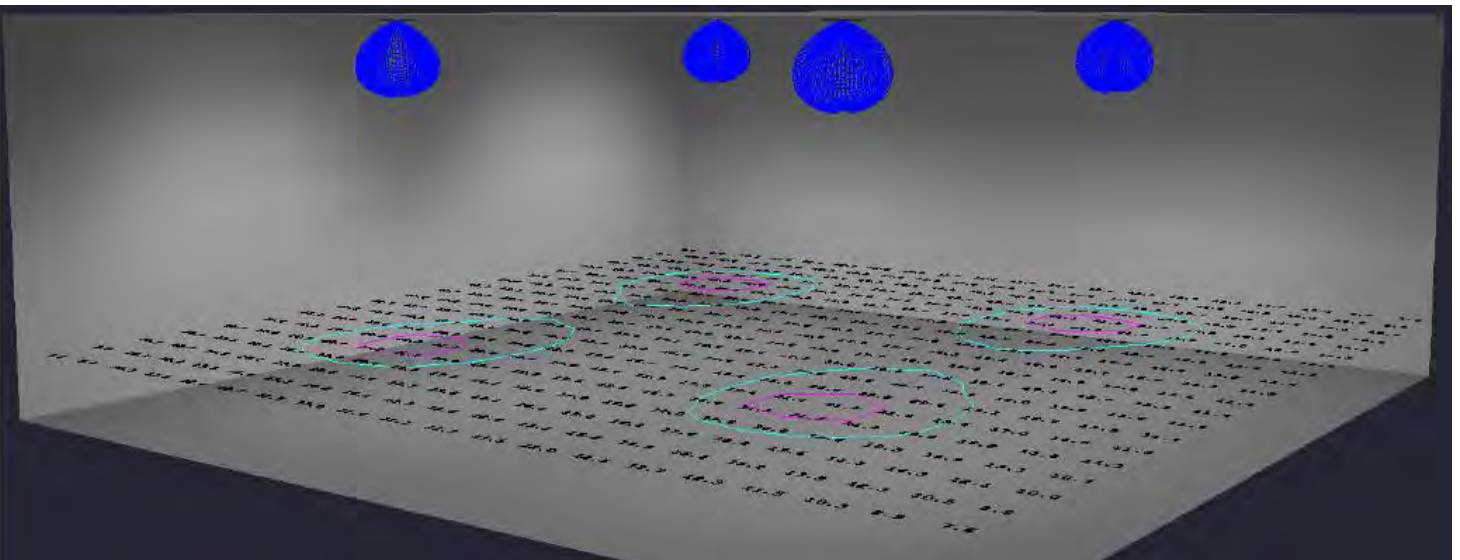
ALU7BC29xxxxxN

Calculation Summary - Mounting Height: 15' Workplane: 2.5'						
Calc Type	Units	Avg	Max	Min	Avg/Max	Max/Min
Illuminance	fc	19.60	26.6	9.4	2.09	2.83



ALU7BC27xxxxxN

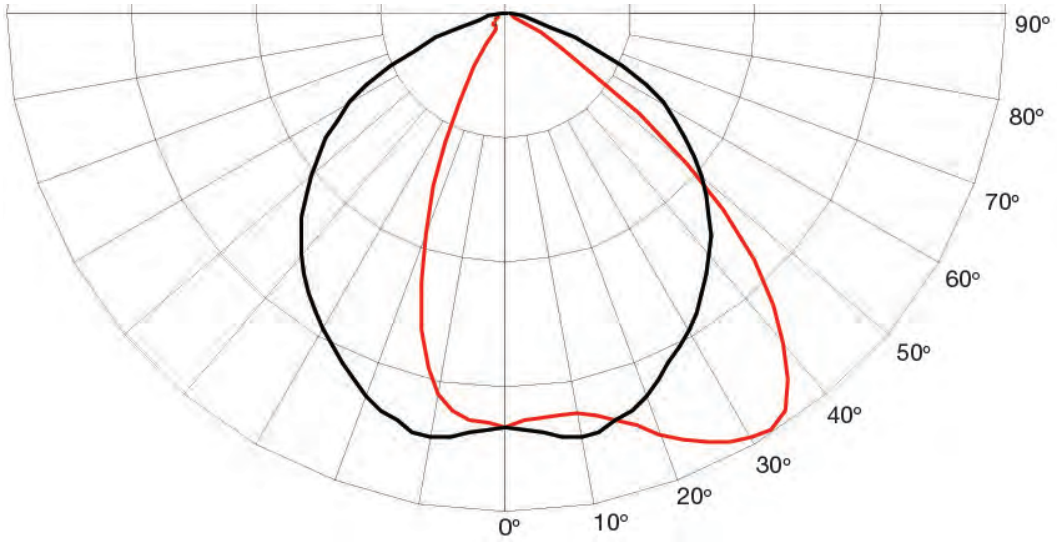
Calculation Summary - Mounting Height: 15' Workplane: 2.5'						
Calc Type	Units	Avg	Max	Min	Avg/Max	Max/Min
Illuminance	fc	15.88	21.5	7.6	2.09	2.83



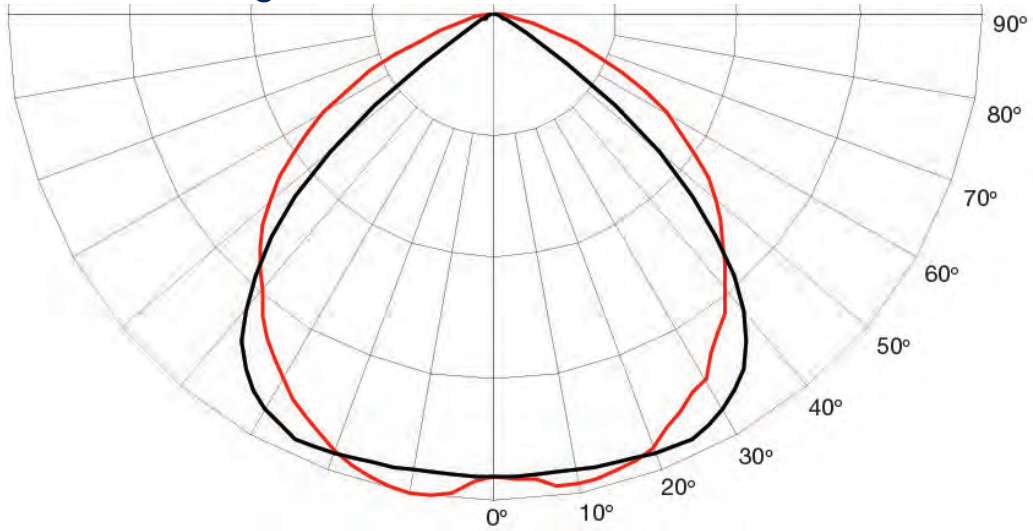
Beam Distribution

100-277 VAC, 120-250 VDC

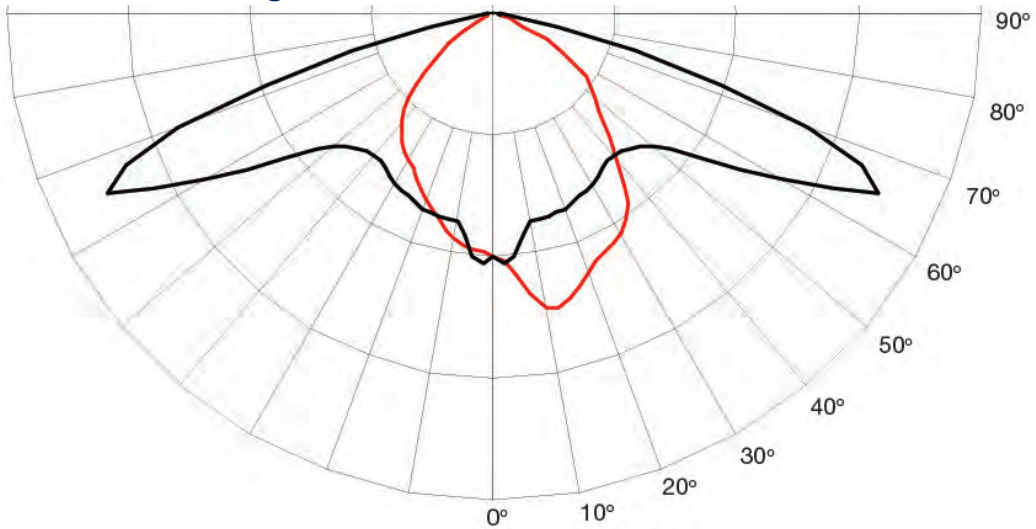
180° Beam Angle



360° Beam Angle



Wide Beam Angle

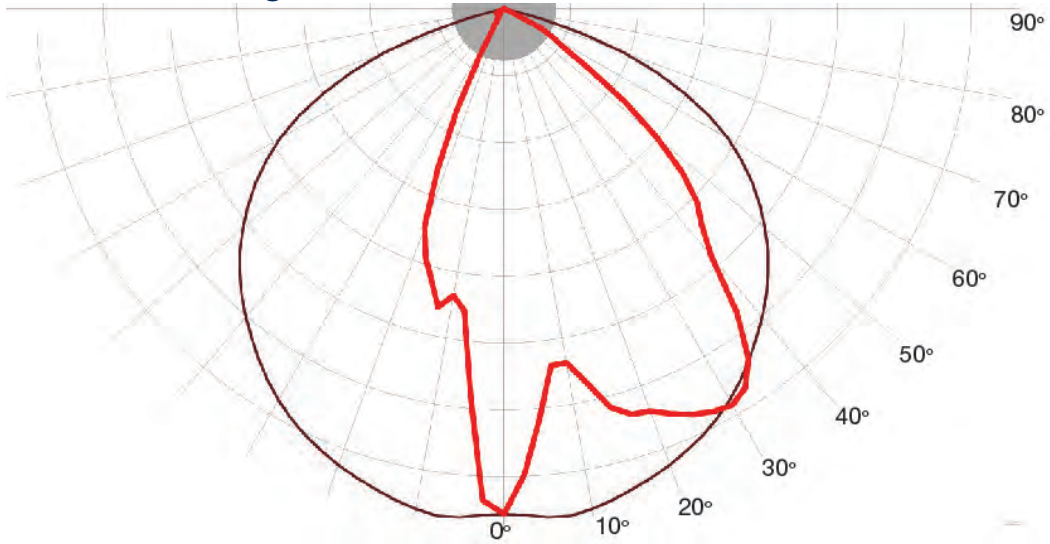


■ = 0°
■ = 90°

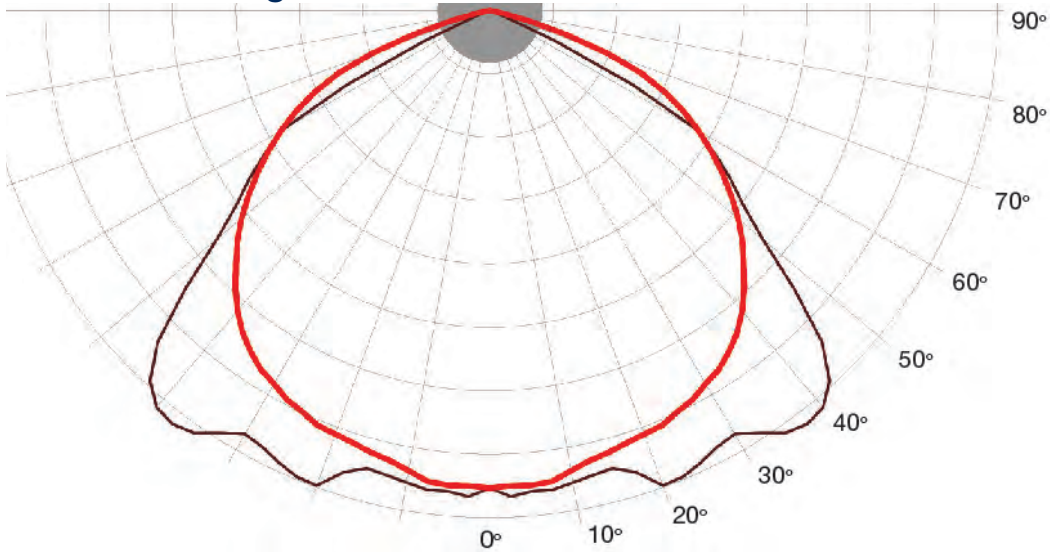
Beam Distribution

347-480 VAC, 24-48 VDC, 120-277 VAC Battery Backup

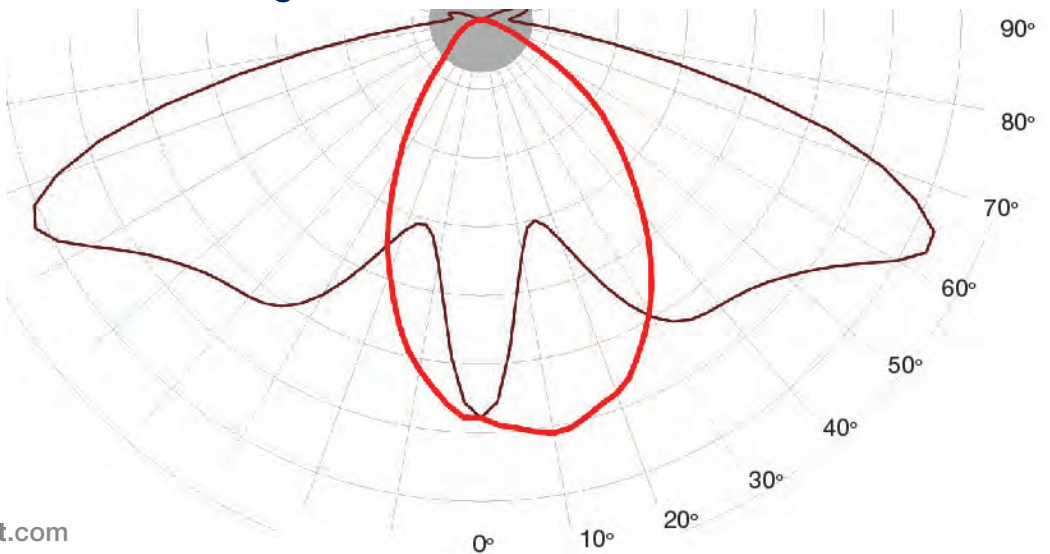
180° Beam Angle



360° Beam Angle



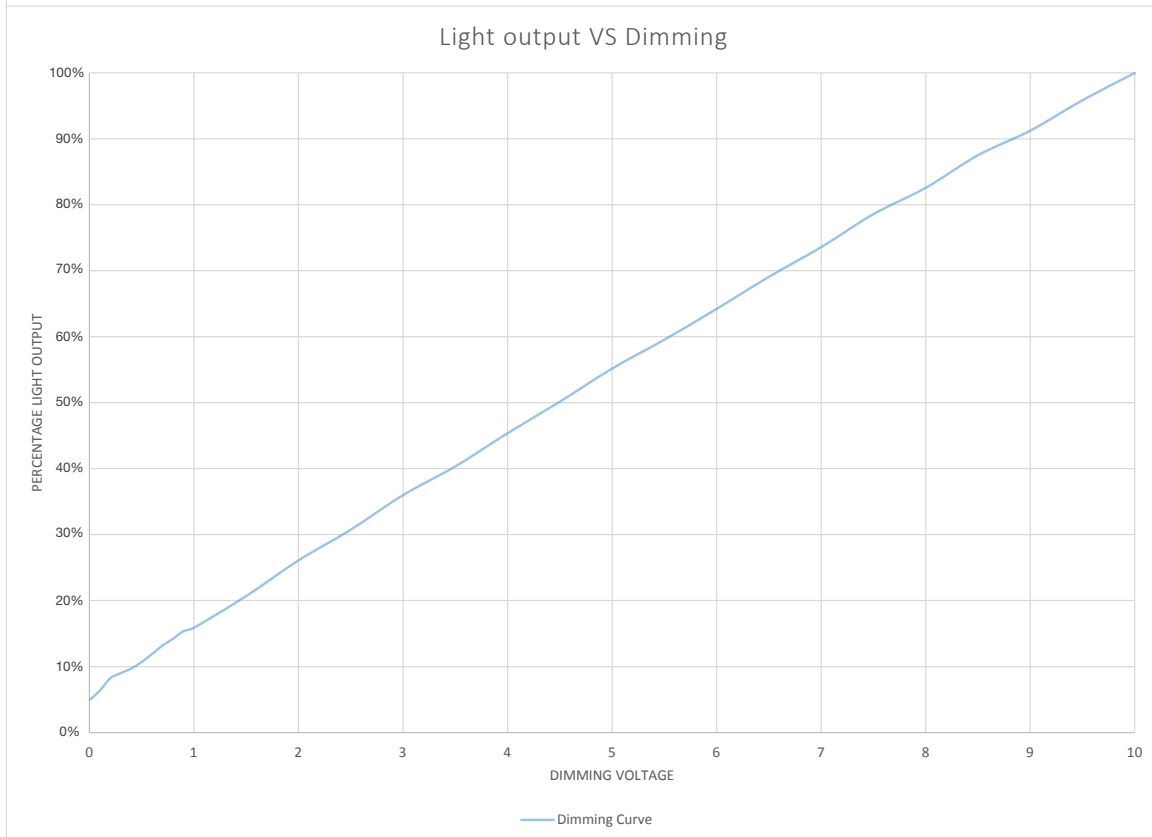
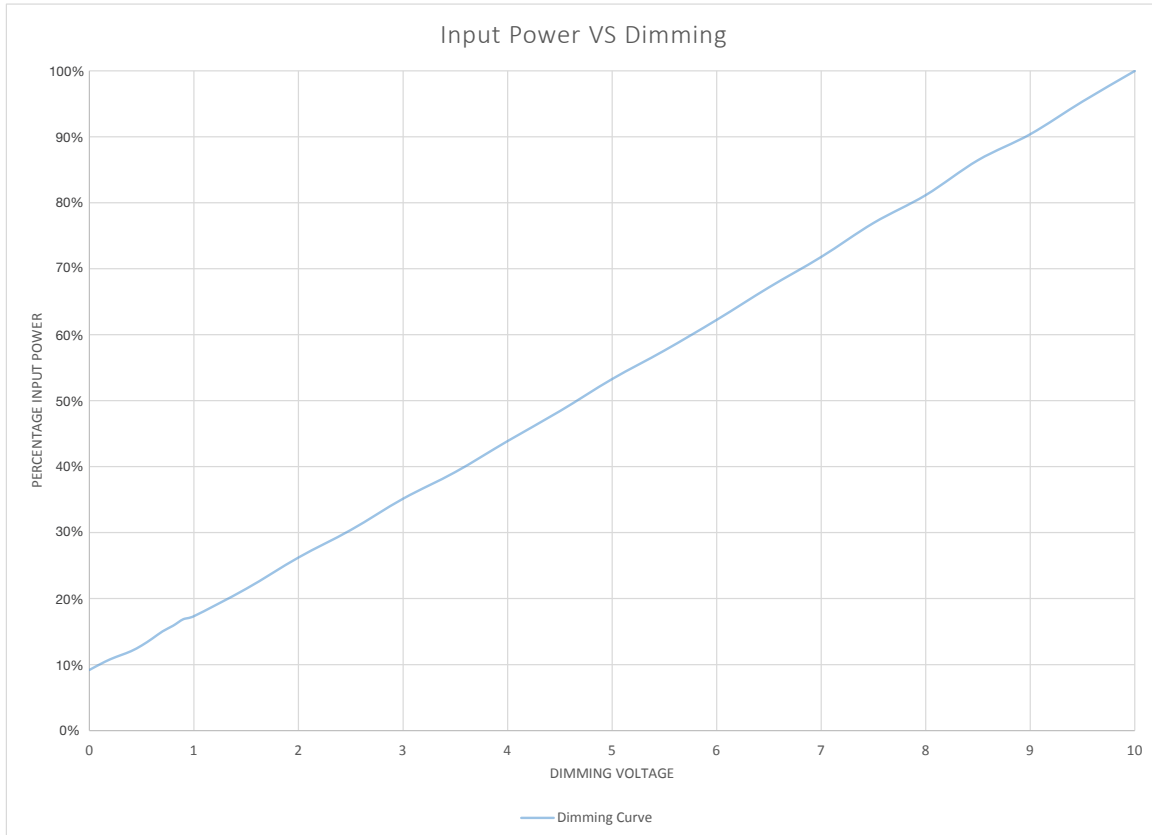
Wide Beam Angle



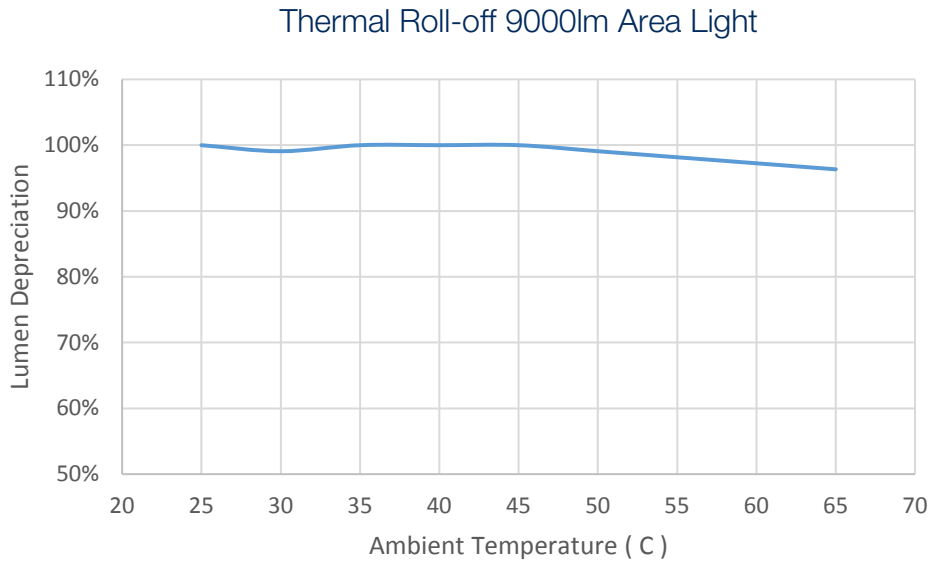
■ = 0°
■ = 90°

Dimming

Dimming Characterization 0 - 10V



Thermal Roll-Off



Ambient Temperature (C)	Lumen Degradation
25°	100%
30°	99%
35°	100%
40°	100%
45°	100%
50°	99%
55°	98%
60°	97%
65°	96%

All values typical unless otherwise stated (tolerance +/- 10%)

In Rush Current / Circuit Breakers

Model	Wattage	In rush current @ input voltage			Time duration of in rush current @ input voltage		
		120 VAC	230 VAC	277 VAC	120 VAC	230 VAC	277 VAC
9K	66	8A	15A	18A	1ms	1ms	1ms
7K	52	8A	15A	18A	1ms	1ms	1ms
7K Wide	64	8A	15A	18A	1ms	1ms	1ms
5.5K	40	8A	15A	18A	1ms	1ms	1ms
4K	30	8A	15A	18A	1ms	1ms	1ms
3K	24	8A	15A	18A	1ms	1ms	1ms

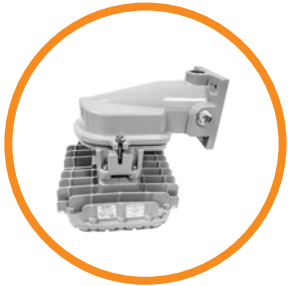
Mounting Options

3/4" NPT Pendant & Conduit Mounting

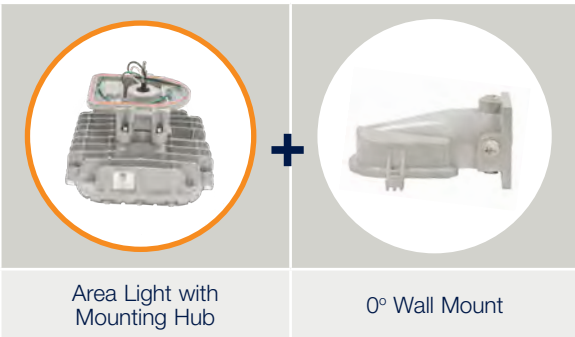


Part Number: ALxxx2xDN^NxGN

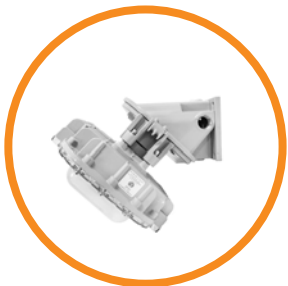
Ceiling & Wall Mounting



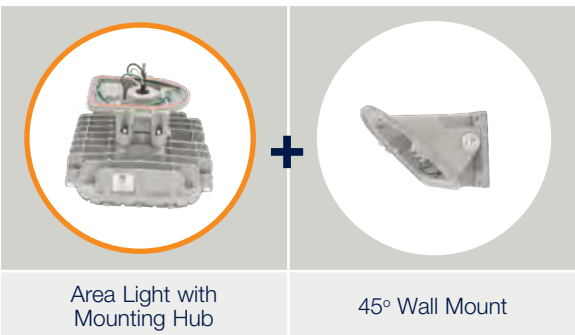
Area Light with 0° Wall Mount
Part Number: ALxxx2xDV^NxGN



Part Number: ALxxx2xDU^NxGN + HZXW01



Area Light with 45° Wall Mount
Part Number: Part number: ALxxx2xDW^NxGN



Part Number: ALxxx2xDU^NxGN + HZXW45

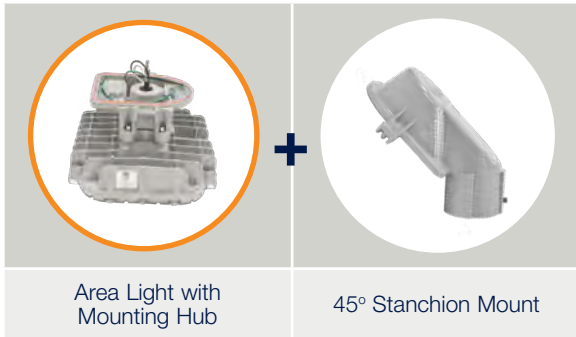
Mounting Options

Stanchion & Pole Mounting



Area Light with 45° Stanchion Mount

Part Number: ALxxxx2xDSNxGN



Area Light with Mounting Hub

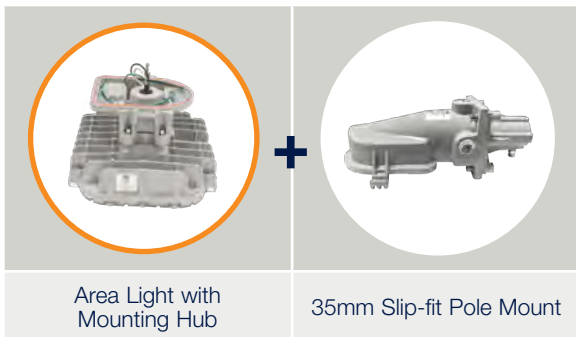
45° Stanchion Mount

Part Number: ALxxxx2xDUNxGN + HZXS45



Area Light with 35mm Slip-fit Pole Mount

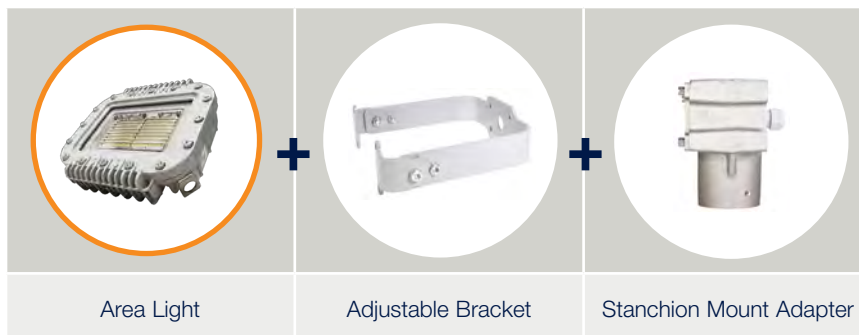
Part Number: ALxxxx2xDYNxGN



Area Light with Mounting Hub

35mm Slip-fit Pole Mount

Part Number: ALxxxx2xDUNxGN + HZXCV34



Area Light

Adjustable Bracket

Stanchion Mount Adapter

Part Number: ALxxxx2xDNNxGN + HZXW3 + HZXSTANxxxx or HZXW4

Mounting Products

Fixtures are available with a universal mounting adapter factory installed, see product N-chart for details. Choose from one of the four available mounting options:



ALxxx2xDUNxGN



Wall Mount
HZXW01



45° Wall Mount
HZXW45



45° Stanchion Mount
HZXS45



34mm Slip-fit Pole Mount
HZXC34



Certified to: UL 50E • CSA C22.2 No. 94.2-07

HZXSTAN100S

- 1.00" (1.315" Pole OD) Slip-fit stanchion mount

HZXSTAN125S

- 1.25" (1.660" Pole OD) Slip-fit stanchion mount

HZXSTAN150S

- 1.50" (1.900" Pole OD) Slip-fit stanchion mount

HZXSTAN200S

- 2.00" (2.375" Pole OD) Slip-fit stanchion mount



HZXSTAN100T

- 1.00" (1.315" Pole OD) NPT threaded stanchion mount

HZXSTAN125T

- 1.25" (1.660" Pole OD) NPT threaded stanchion mount

HZXSTAN150T

- 1.50" (1.900" Pole OD) NPT threaded stanchion mount

HZXSTAN200T

- 2.00" (2.375" Pole OD) NPT threaded stanchion mount



HZXW3

- 316 stainless steel bracket

HZXW7

- Aluminum bracket



HZXW4

- 316 stainless steel bracket with pipe clamp

HZXW8

- Aluminum bracket with pipe clamp



HZXSAFECBLS

- Safety cable kit



Certified to: UL 50E • UL 1203

ISA 12.12.01 • CSA C22.2 No. 94.2-07

HBXC1

- 0.75" NPT Ceiling mount



Certified to: UL 50E • CSA C22.2 No. 94.2-07

HZXJB075

- 0.75" Ceiling / Wall / Pole mount junction box

HZXJB100

- 1.00" Ceiling / Wall / Pole mount junction box

HZXJB125

- 1.25" Ceiling / Wall / Pole mount junction box

HZXJB150

- 1.50" Ceiling / Wall / Pole mount junction box



Certified to: UL 50E • CSA C22.2 No. 94.2-07

HZXJB075PC1

- 0.75" Junction box with photocell

HZXJB100PC1

- 1.00" Junction box with photocell

HZXJB125PC1

- 1.25" Junction box with photocell

HZXJB150PC1

- 1.50" Junction box with photocell

Universal Mounting Adapters


Two ways to buy...

1. Factory Installed for Work Site

Purchase Brackets Factory Installed			
			
45° Stanchion Mount	45° Wall Mount	Wall Mount	34mm Slip-Fit Pole Mount
ALxxx2xDSNxGN	ALxxx2xDWNxGN	ALxxx2xDVNxGN	ALxxx2xDYNxGN

2. UMA Mounting Hub Compatible with All Four Mounting Options for Flexibility

Assembled with UMA adapter / For multiple applications and standardization efforts at your facility, you can order fixture with UMA adapter installed at the factory. This allows for use with any of our wall or stanchion mount top brackets which you can order separately and mate up in the field.

Stock Area Lights with Universal Mounting Adapters & Brackets Sold Separately				
				
Area Light	45° Stanchion Mount	45° Wall Mount	Wall Mount	34mm Slip-Fit Pole Mount
ALxxx2xDUNxGN	HZXS45	HZXW45	HZXW01	HZXC34

Retro-fit Options

Retro-fit adapters can be factory installed. See product N-chart for details.

- Eaton's Crouse-Hinds – Champ®
- GE Lighting Solutions – Filtr-Gard™
- Holophane Petrolux® II, III
- Thomas & Betts Hazlux®
- Appleton® Mercmaster III
- Appleton® Mercmaster II
- Killark® Certilite® & Certilite® V

*Petrolux adapter available as a standalone accessory only



Eaton's Crouse-Hinds – Champ® - HZXTHCH				
Pendant	Ceiling	Wall	Stanchion	Quad Mount
APM2	CM2	TWM2	JM5	QM25
APM3	CM3	TWM3	PM5	
HPM2				



GE Lighting Solutions – Filtr-Gard™ - HZXTHGE				
Pendant	Ceiling	Wall	Stanchion	Quad Mount
3P	3F	3C	3W	5S
4P	4F		4W	6S
				5J, 6J



Holophane® Petrolux II, III - HZXTHP3				
Pendant	Universal	Stanchion	Ceiling	Wall
PD	UN	SA	CD	WL
GH		ST	CE	W
P		A	B, C, D	

Retro-fit Options



Thomas & Betts Hazlux® - HZXTHTB				
Pendant	Pendant Cone	Flexible Pendant	Ceiling	Wall
VP2	VA2	VF2	VC2	VB2
VP3	VA3	VF3	VC3	VB3
Wall	25° Angle Stanchion	25° Angle Stanchion	Straight Stanchion	Straight Stanchion
VB2-VIB	VS4	VS4-VIB	VL4	VL4-VIB
VB3-VIB	VS5	VS5-VIB	VL5	VL5-VIB



Appleton® Mercmaster III - HZXTHAP			
Pendant	Ceiling	Wall	Stanchion
KPA- 75, 100	KPC-75	KPWB-75	KPS-125
KPAF-75, 100	KPC-100	KPWB-100	KPS-150
KPCH-75, 100			KPST-125
			KPST-150



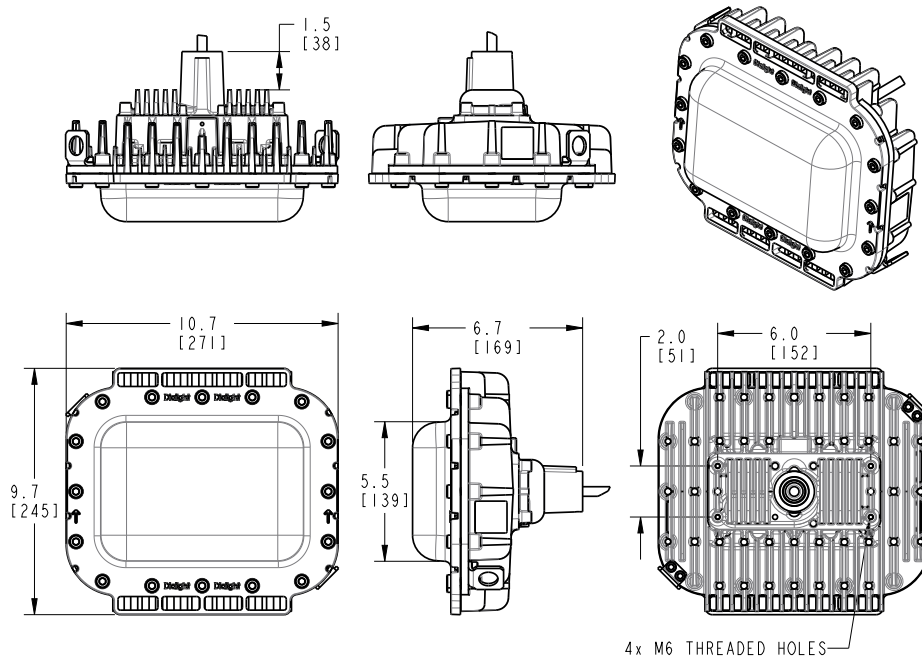
Appleton® Mercmaster II - HZXTHM2			
Pendant	Ceiling	Wall	Stanchion
LPA-75	LPC-75	LPWB-75	LPS-125
LPA-100	LPC-100	LPWB-100	LPS-150



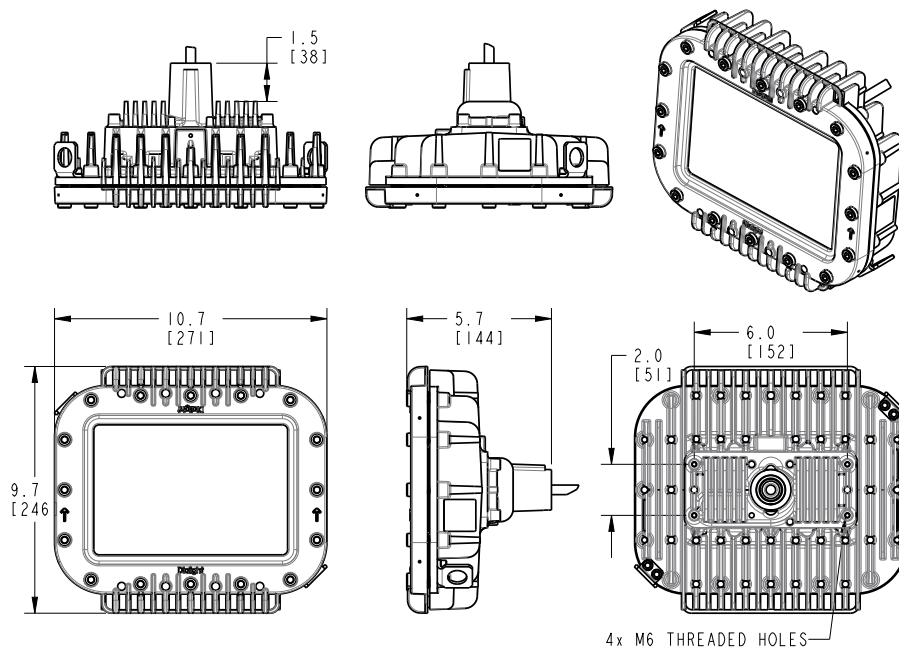
Killark® Certilite® & Certilite® V - HZXTHKL			
Pendant	Ceiling	Wall	Stanchion
VMA2B & VMA-2	VMX2B & VMX-2	VMB2B & VMB-2	VMD4B
VMA3B & VMA-3	VMX3B & VMX-3	VMB3B & VMB-3	VMD5B
VMC2B & VMC-2	VMX6B, 7B, 8B, 9B		VMS5B
VMC3B & VMC-3			
VMF2B, 3B			

Dimensional Drawings - Area Light

Polycarbonate Lens



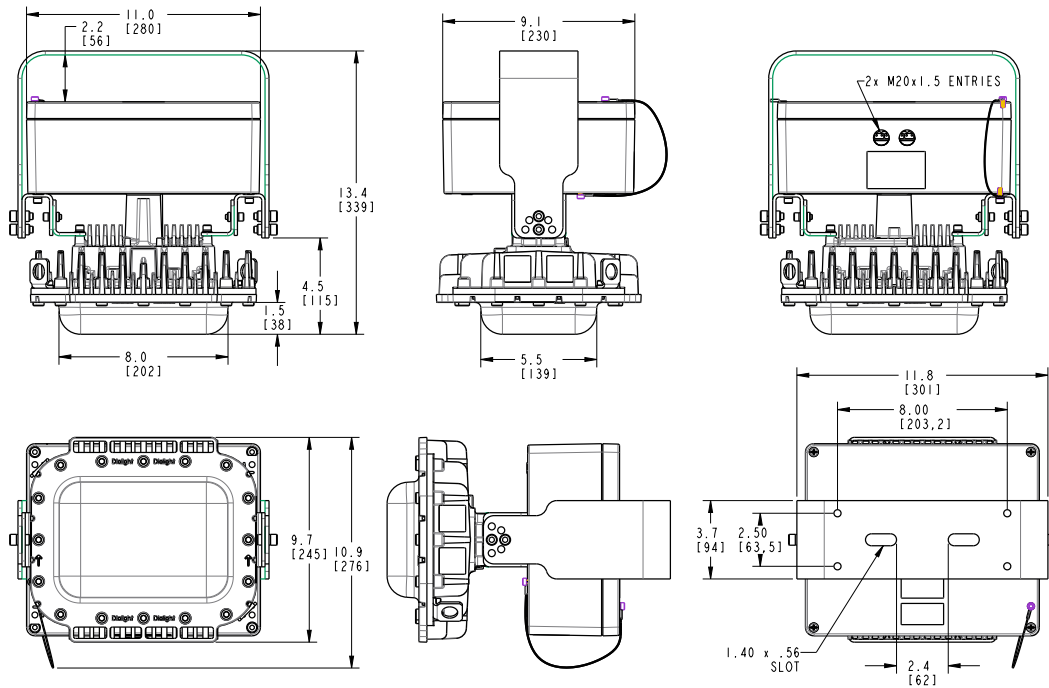
Tempered Glass Lens



Dimensions in inches [mm]

Dimensional Drawings - Area Light

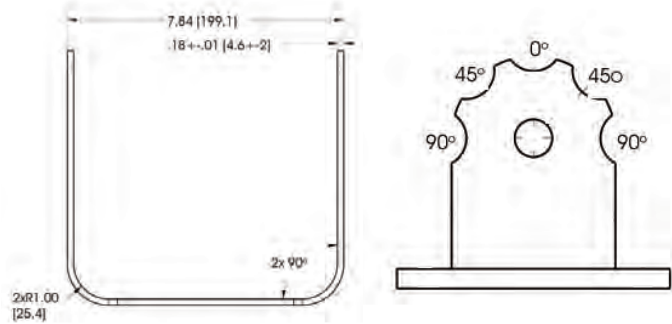
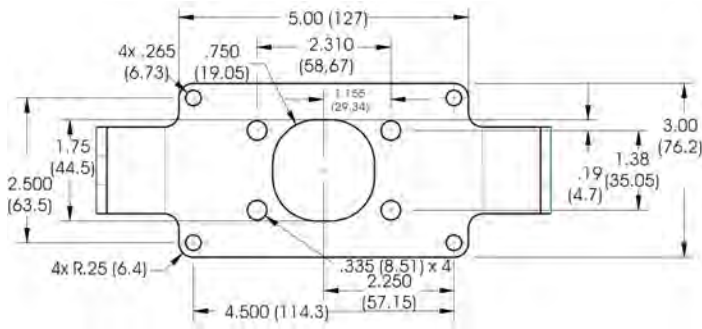
Battery Backup Model



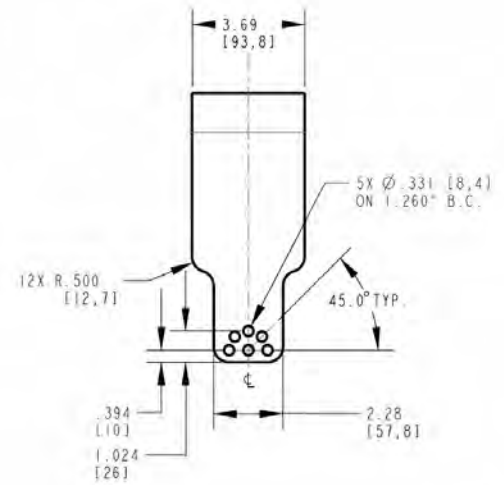
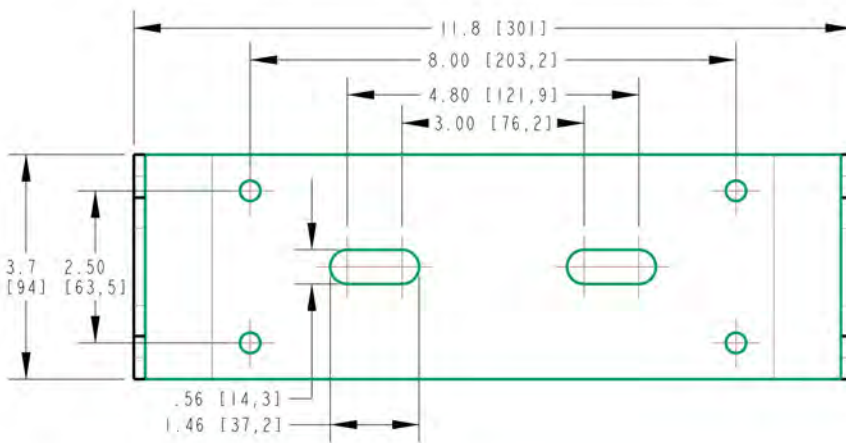
Dimensional Drawings - Accessories

HZXW3, HZXW4, HZXW7, AND HZXW8

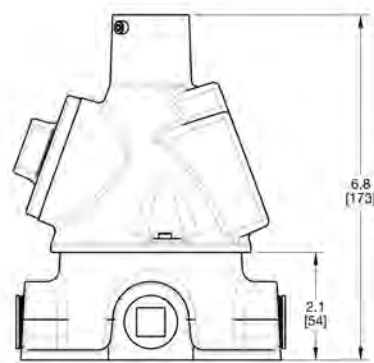
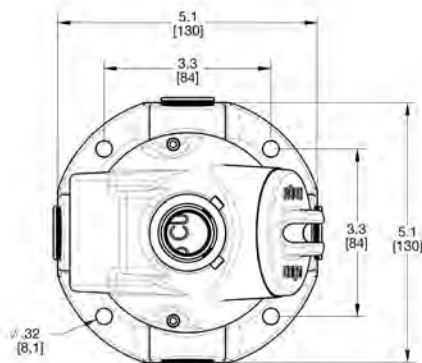
.25" thick; HZXW4 and HZXW8 will mount to 1.5" conduit and comes with pipe mount clamps.



Battery Backup model bracket



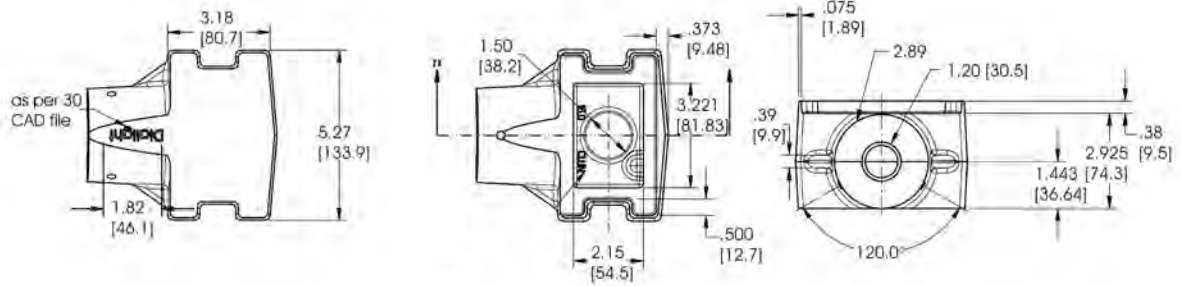
HBXC1 / HBXW1



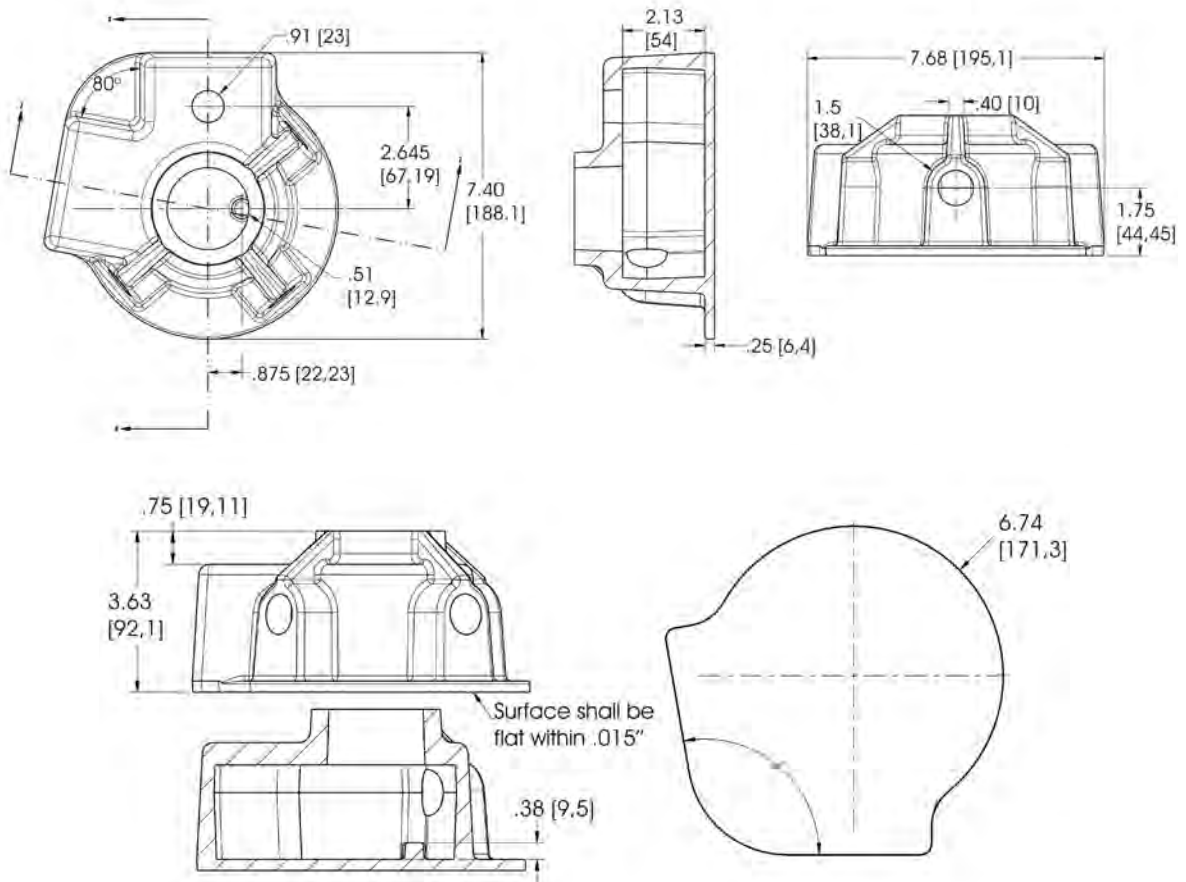
Dimensions in inches [mm]

Dimensional Drawings - Accessories

HZXSTANXXXX

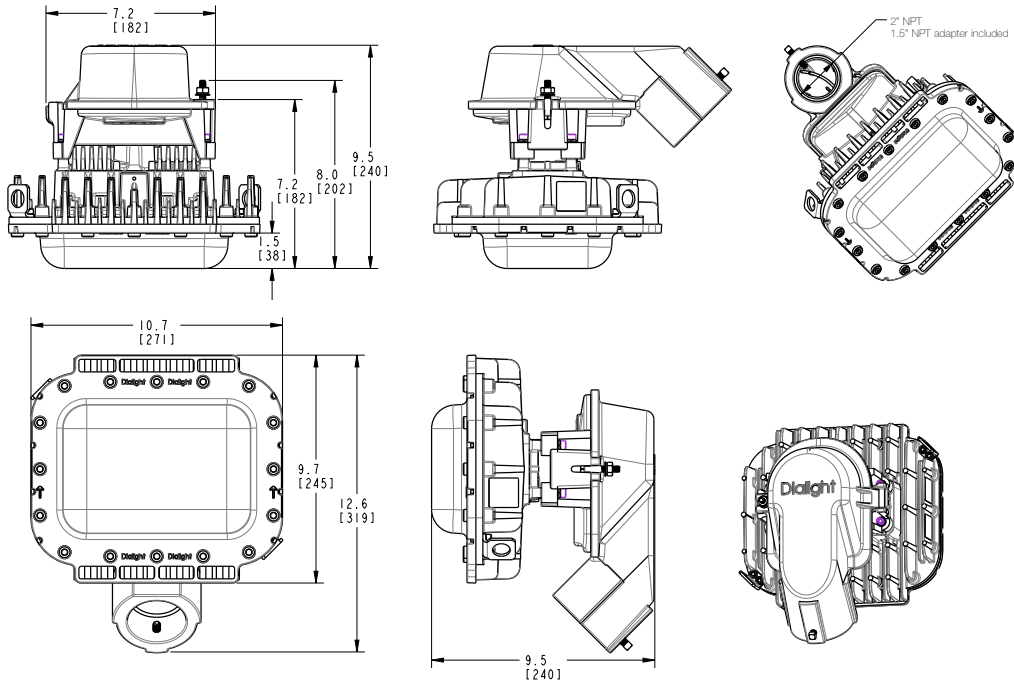


HZXJBXXX and HZXJBXXXXXX

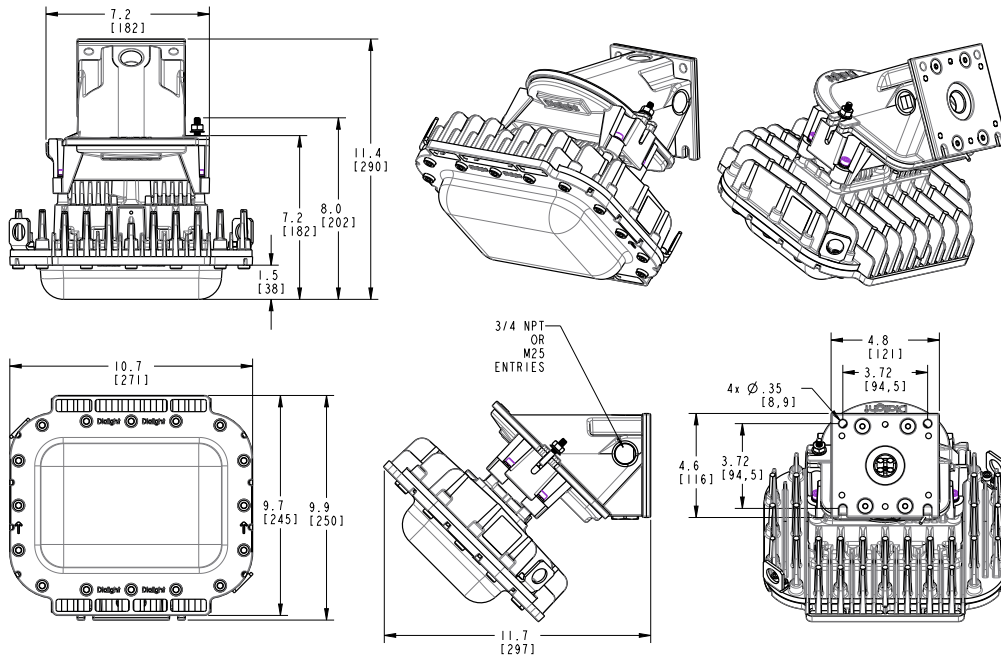


Dimensional Drawings - Universal Mounting Adapters

45° Stanchion Mount



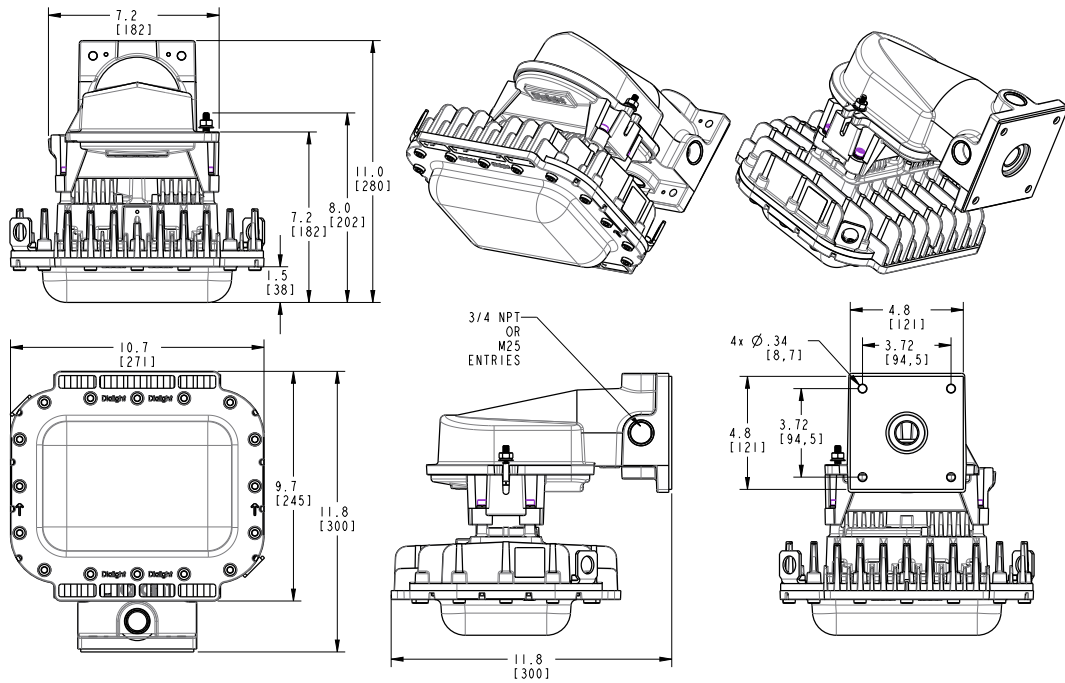
45° Wall Mount



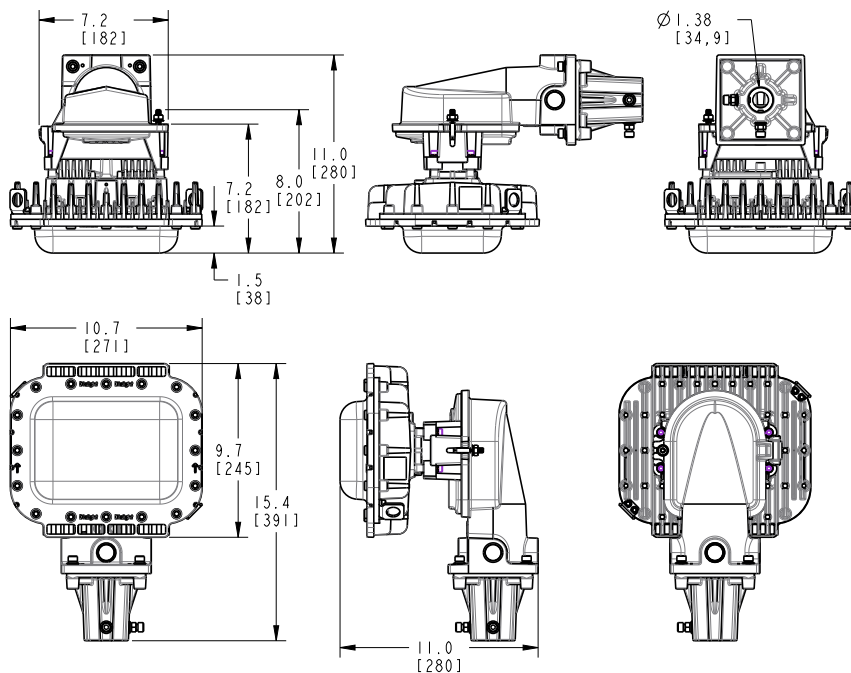
Dimensions in inches [mm]

Dimensional Drawings - Universal Mounting Adapters

Wall Mount



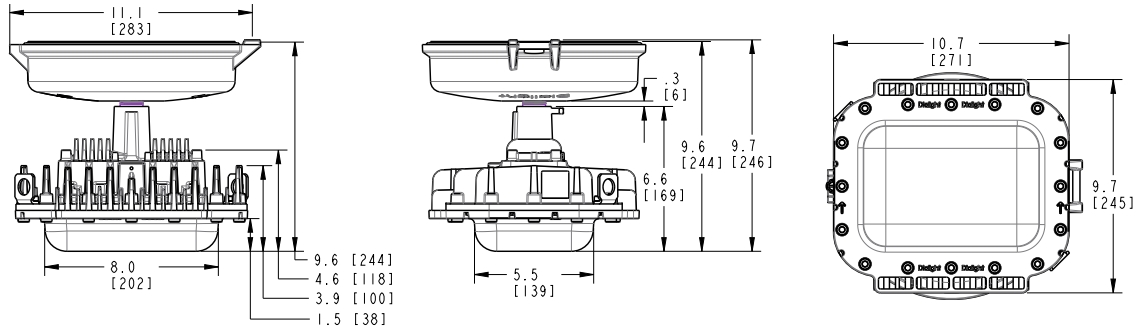
34mm Slip-Fit Pole Mount



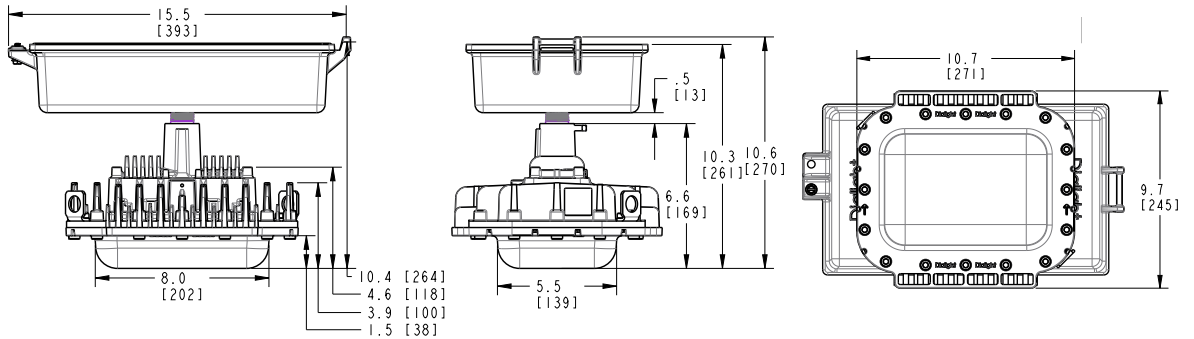
Dimensions in inches [mm]

Dimensional Drawings - Retro-fit Kits

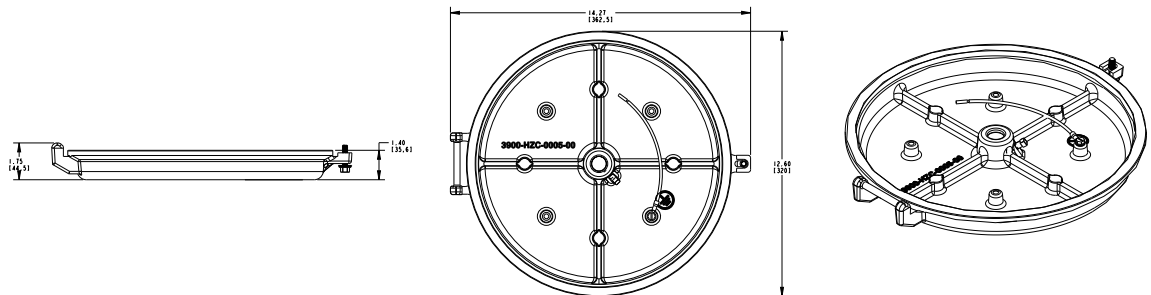
Eaton's Crouse-Hinds – Champ® - HZXTHCH



GE Lighting Solutions – Filtr-Gard™ - HZXTHGE



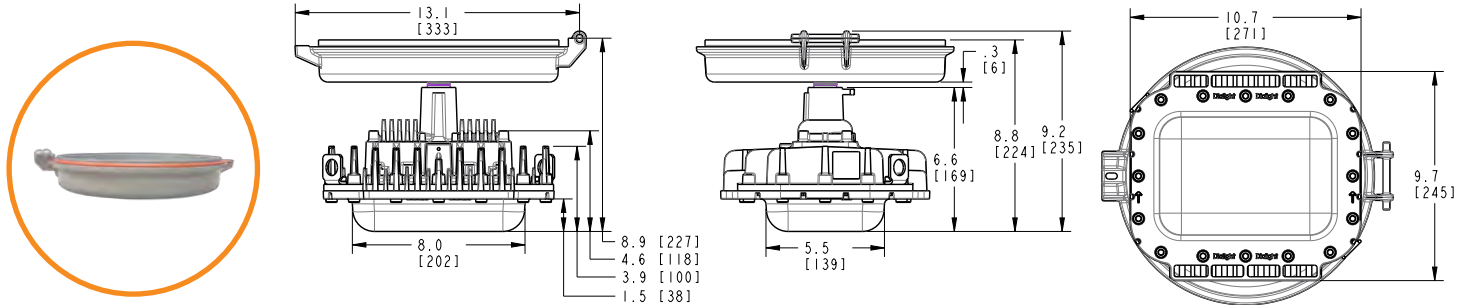
Holophane® Petrolux II, III - HZXTHP3



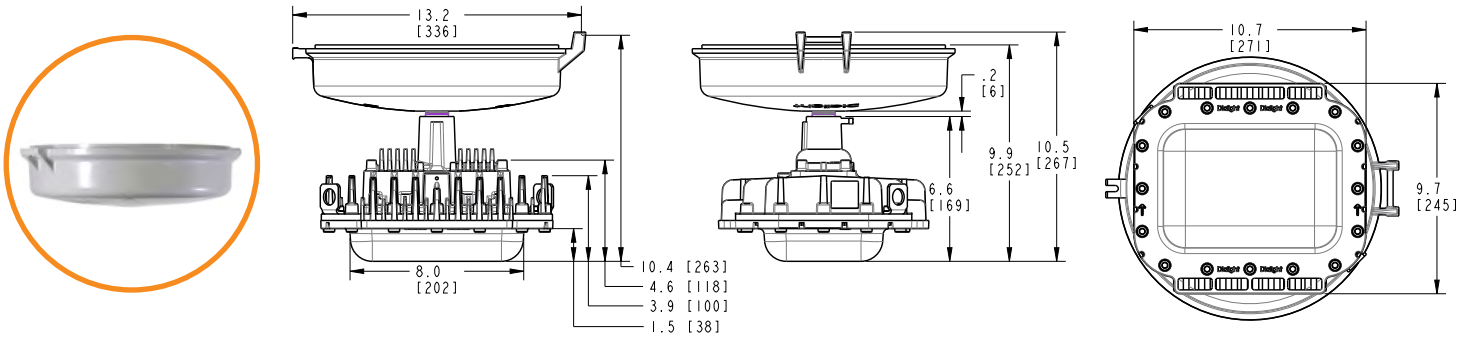
Dimensions in inches [mm]

Dimensional Drawings - Retro-fit Kits

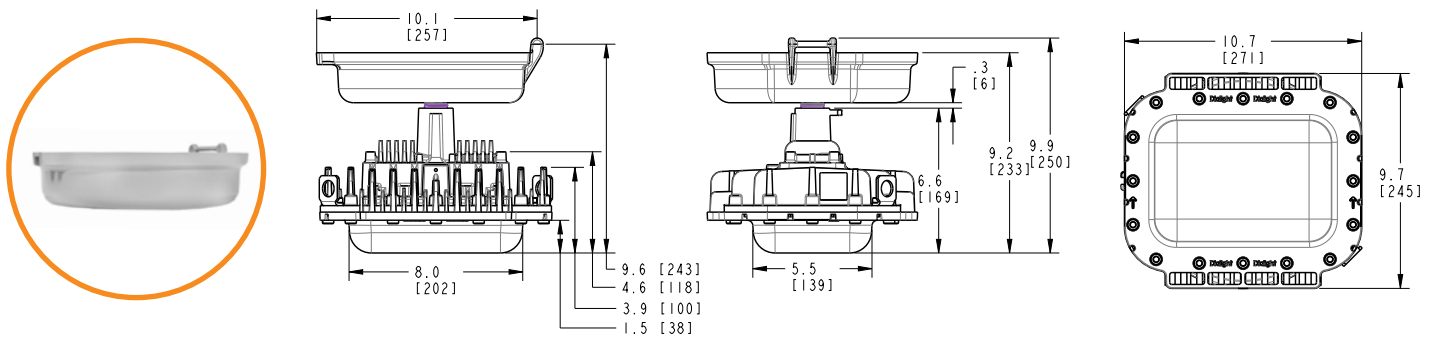
Thomas & Betts Hazlux® - HZXTHTB



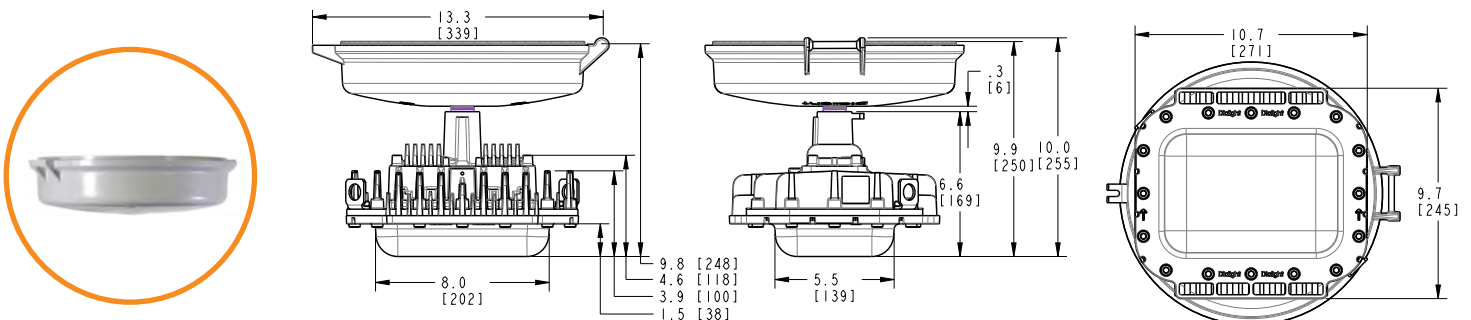
Appleton® Mercmaster III - HZXTHAP



Appleton® Mercmaster II - HZXTHM2



Killark® Certilite® & Certilite® V - HZXTHKL



Hazardous Locations Ratings - UL

Fixed and portable fixtures for installation and use in hazardous (classified) locations Class I, Divisions 1 and 2, Groups A, B, C, and D; Class II, Division 1, Groups E, F, and G; Class II, Division 2, Groups F and G; and Class III, Divisions 1 and 2, in accordance with the National Electrical Code, NFPA 70

Classes

The classes define the general nature of hazardous material in the surrounding atmosphere.

Class	Hazardous Material in Surrounding Atmosphere
Class I	Hazardous because flammable gases or vapors are present in the air in quantities sufficient to produce explosive or ignitable mixtures
Class II	Hazardous because combustible or conductive dusts are present
Class III	Hazardous because ignitable fibers or flying's are present, but not likely to be in suspension in sufficient quantities to produce ignitable mixtures. Typical wood chips, cotton, flax and nylon. Group classifications are not applied to this class

Divisions

The division defines the probability of hazardous material being present in an ignitable concentration in the surrounding atmosphere.

Division	Presence of Hazardous Material
Division 1	The substance referred to by class is present during normal conditions
Division 2	The substance referred to by class is present only in abnormal conditions, such as a container failure or system breakdown

Groups

The group defines the hazardous material in the surrounding atmosphere.

Group	Hazardous Material in Surrounding Atmosphere
Group A	Acetylene
Group B	Hydrogen, fuel and combustible process gases containing more than 30% hydrogen by volume or gases of equivalent hazard such as butadiene, ethylene, oxide, propylene oxide and acrolein
Group C	Carbon monoxide, ether, hydrogen sulfide, morpholine, cyclopropane, ethyl and ethylene or gases of equivalent hazard
Group D	Gasoline, acetone, ammonia, benzene, butane, cyclopropane, ethanol, hexane, methanol, methane, vinyl chloride, natural gas, naphtha, propane or gases of equivalent hazard
Group E	Combustible metal dusts, including aluminum, magnesium and their commercial alloys or other combustible dusts whose particle size, abrasiveness and conductivity present similar hazards in connection with electrical equipment
Group F	Carbonaceous dusts, carbon black, coal black, charcoal, coal or coke dusts that have more than 8% total entrapped volatiles or dusts that have been sensitized by other material so they present an explosion hazard
Group G	Flour dust, grain dust, flour, starch, sugar, wood, plastic and chemicals

Reference:
http://www.engineeringtoolbox.com/hazardous-areas-classification-d_347.html

Dialight's Industry Leading 5, 7 and 10 Year Warranties

At Dialight, we take great pride in the design and robust engineering of our products. We deeply understand the harsh environments that our customers depend on our fixtures to illuminate each day. That's why our fixtures are built specifically for longevity in these conditions.

We are the only industrial LED lighting supplier with fully-integrated products built for industrial applications, featuring custom in-house power supplies designed for long-life with superior temperature tolerance, vibration resistance and built-in surge protection. Additionally, our sealed fixtures prevent moisture and contaminants from causing failures or reducing lifespan.

We stand behind our industry leading warranties with proven real-world results in the world's most challenging environments and extensive quality control testing. Additionally, whilst some other manufacturers may require a minimum threshold of 10% or more of LED components to fail in order for a product to be defective, we do not require this because the safety and productivity of your work site is of paramount importance to us.

To learn more about our warranties, please visit www.dialight.com

