

## CABLETEK-EC VERTICAL CABLE MANAGER



### APPLICATION

Attach CableTek-EC Vertical Cable Managers to the sides and/or in between open-frame racks to economically provide support, easy access and proper cable management with easy cable installation for network rack-mount equipment. The front side provides support, management and high cable capacity for patch cords with easy-to-remove front covers standard. The rear of the manager provides the same support for horizontal cabling (Cat 5e, 6, 6A and fiber). CableTek-EC Vertical Cable Managers are available in single- and double-sided versions.

### FEATURES

- Universal mounting pattern for 2- and 4-post open-frame racks
- Easy-to-install with self-aligning, self-captivating carriage bolts for single-sided attachment
- Arrowhead supporting fingers provide easy insertion, removal and alignment of Cat 5e, 6, 6A and other cable types
- Deep cable depth provides smooth transition of cables from vertical to horizontal positions
- Large feed-through holes and pre-scored grommets provide cable feed from front to back of cable manager
- Unobstructed cable access for all rack unit locations
- Extra deep cable channel for maximum cable density has multiple cable tie-down points
- Standard front cover includes field installed hinges with captivated screws and provides cable access from right, left or neutral
- Double-sided models with supporting fingers include front central latching cover and rear snap-on cover

- Double-sided models with posts and gates support and contain cables. Five posts and gates are included; additional sets are available as accessories
- Posts snap into prepunched holes in the back of the cable manager
- Gates snap onto posts, open from left or right as needed and swing 225° for cable access. Posts can be used alone as slack spools to control long patch cords.
- The single-sided cable manager can be upgraded with CableTek Post and Gates Kits
- CableTek Rear Cover is sold separately as an accessory for vertical cable managers with posts and gates, and is fully field-installable; no tools needed

### SPECIFICATIONS

- Easy-to-remove front cover is multi-formed, light-weight aluminum with high-strength, black composite hinges with captivated screws
- Cable channel constructed of multi-formed 14 gauge steel
- Arrowhead supporting fingers are high-strength, black composite with all edges rounded
- Rear posts and gates on double-sided models are high-strength, black composite with all edges rounded

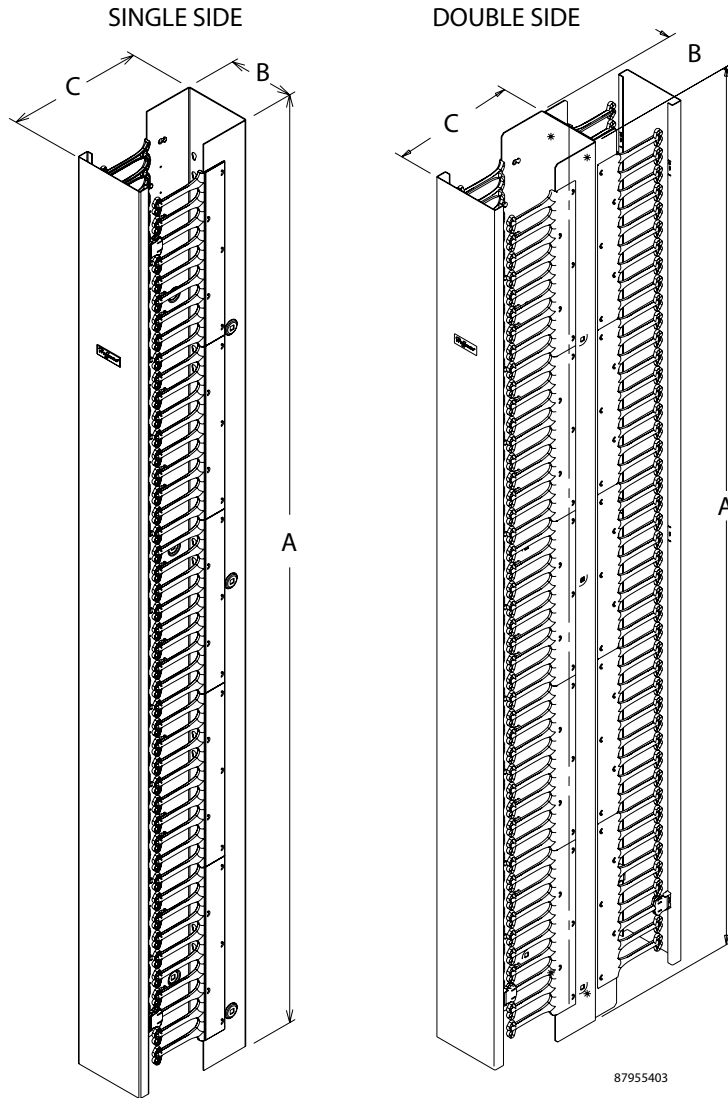
### FINISH

All aluminum and steel components have a black, low-gloss, light-textured RAL 9005 powder-coated finish or RAL 9003 white powder-coated paint finish

### BULLETIN: DOFRY

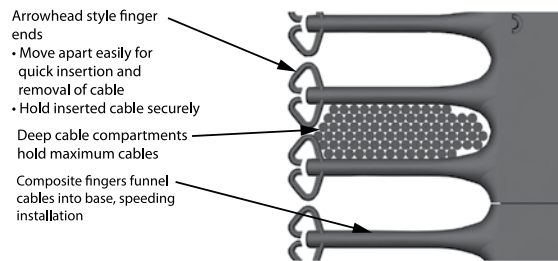
#### Standard Product

Catalog Number	AxBxC in./mm	Description	Finish	Width	Height	RU
EC3S7	84.00 x 3.50 x 11.50 2134 x 89 x 292	Single-Sided	Black	3.5 in.	7 ft.	45
EC3S7W	84.00 x 3.98 x 11.42 2134 x 101 x 290	Single-Sided	White	3.5 in.	7 ft.	45
EC3D7	84.00 x 3.50 x 18.00 2134 x 89 x 457	Double-Sided, Post/Gates	Black	3.5 in.	7 ft.	45
EC3D7W	84.00 x 3.98 x 17.98 2134 x 101 x 457	Double-Sided, Post/Gates	White	3.5 in.	7 ft.	45
EC6S7	84.00 x 6.00 x 11.50 2134 x 152 x 292	Single-Sided	Black	6 in.	7 ft.	45
EC6S7W	84.00 x 6.48 x 11.42 2134 x 165 x 290	Single-Sided	White	6 in.	7 ft.	45
EC6D7	84.00 x 6.00 x 18.00 2134 x 152 x 457	Double-Sided, Post/Gates	Black	6 in.	7 ft.	45
EC6D7W	84.00 x 6.48 x 17.98 2134 x 165 x 457	Double-Sided, Post/Gates	White	6 in.	7 ft.	45
EC6DF7	84.00 x 6.50 x 20.85 2134 x 165 x 530	Double-Sided, Fingers	Black	6 in.	7 ft.	45
EC6DF7W	84.00 x 6.48 x 20.85 2134 x 165 x 530	Double-Sided, Fingers	White	6 in.	7 ft.	45



Cable Fill Chart

Catalog Numbers	Front Capacity @ 60 %	Front Capacity @ 60 %	Front Capacity @ 60 %	Rear Capacity @ 60 %	Rear Capacity @ 60 %	Rear Capacity @ 60 %
Cable Category	5e	6	5A	5e	6B	6A
EC3S7, EC3S7W	534	414	287	—	—	—
EC3D7, EC3D7W	534	414	287	195	151	105
EC6S7, EC6S7W	917	710	493	—	—	—
EC6D7, EC6D7W	917	710	493	414	341	236
EC6DF7, EC6DF7W	917	710	493	414	341	236
Arrowhead	85	66	66	—	—	—



## CABLETEK POST AND GATE KITS

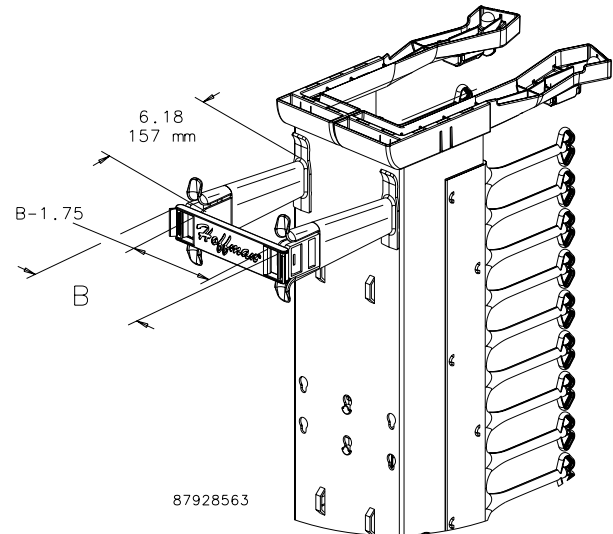


Post and Gate Kits snap together quickly without tools. Each set consists of two posts and one gate. Posts snap into prepunched holes on the backs of CableTek Vertical Cable Managers (single-sided and double-sided with posts and gates) and are easily repositionable without tools. Gates swivel open 225° left or right to allow convenient cable access. When closed, posts and gates contain, support and secure large volumes of cables and cable bundles. Molded from black composite material with large radius, these posts and gates smoothly transition cables from vertical to horizontal positions. Order additional Post and Gate Kits to add to single- and double-sided cable managers.

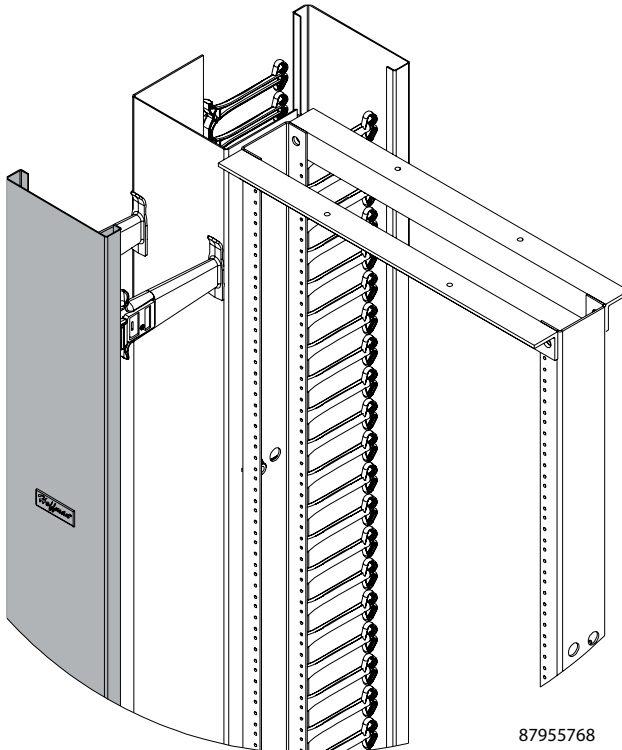
Single posts can be used alone as slack spools on the front side of the cable manager.

### BULLETIN: DOFRY

Catalog Number	Description	B (in.)	B (mm)	Pkg. Qty.
DGP3	Posts and Gates	3.00	76	10 sets
DGP6	Posts and Gates	6.00	152	10 sets
DGP10	Posts and Gates	10.00	254	10 sets
DGP12	Posts and Gates	12.00	305	10 sets



## REAR COVER



Rear cover is an accessory for all CableTek Vertical Cable Managers with post and gates. For double-sided managers, covers attach to included post and gates. For single-sided managers, appropriate Post and Gates Kit must be ordered.

### BULLETIN: DOFRY

Catalog Number	AxBxC in./mm	Fits
EC3C7	84.00 x 3.50 x 1.00 2134 x 89 x 25	3.50 x 7.00 in.
EC6C7	84.00 x 6.00 x 1.00 2134 x 152 x 25	6.00 x 7.00 in.
EC10C7	84.00 x 10.00 x 1.00 2134 x 254 x 25	10.00 x 7.00 in.
EC12C7	84.00 x 12.00 x 1.00 2134 x 305 x 25	12.00 x 7.00 in.

Posts and Gates are required for assembly and to support the rear cover. For single-sided cable managers, order the appropriate Post and Gate accessory kit.

# Notes