

## RACK- AND PANEL-MOUNT POWER DISTRIBUTION UNITS (PDUS)



### FEATURES

- Power on/off LED indicates whether power is available at the PDU
- External ground stud provided on single-phase models for secure grounding
- Circuit breakers provide additional equipment protection
- Circuits are isolated on dual circuit model; each has its own circuit breaker
- Reset button provides easy access to circuit breaker reset
- Surge protector models have an indicator LED to verify surge circuitry protection
- Rack-mount models mount directly to rack or with adapter bracket
- Rack-mount models designed for single-phase applications
- Panel-mount models can be mounted flush or with hanging bracket

### SPECIFICATIONS

- Steel housing
- Power cord with molded-on plug:
  - 12-in. (305-mm) long single-phase model: 6 ft. (1.8 m)
  - Other single-phase models: 15 ft. (4.6 m)

### INDUSTRY STANDARDS

UL/cUL 60950 listed  
UL 1449 (Surge protector models only)

EIA 310-D (19-in. rack-mount models only)

### APPLICATION

Rack- and Panel-Mount PDUs not only provide convenient, reliable power to equipment mounted in cabinets or on open frame racks, they can also be configured to meet a wide range of design specifications.

**Contact Hoffman for custom modifications and non-standard offerings.**

### FINISH

Black, low-gloss textured paint.

### BULLETIN: DPS

### Standard Product Single-Phase Rack-Mount

Catalog Number	Surge Protection	Amp Meter	Load Rating	Voltage (VAC)	Joule Rating	Receptacle Location	No. of Receptacles	Receptacle Style	Power Cord Plug	Rack Units
DP1N190615	No	No	15A	120	—	Front	6	NEMA 5-15R	NEMA 5-15P	1
DP1N191415	No	No	15A	120	—	6 front, 8 back	14	NEMA 5-15R	NEMA 5-15P	1
DP1N191015S	Yes	No	15A	120	2000	2 front, 8 back	10	NEMA 5-15R	NEMA 5-15P	1
DP1N191020	No	No	20A	120	—	2 front, 8 back	10	NEMA 5-20R	NEMA 5-20P	1
DP1N191020S	Yes	No	20A	120	2000	2 front, 8 back	10	NEMA 5-20R	NEMA 5-20P	1
DP1N191020ST	Yes	No	20A	120	2000	2 front, 8 back	10	NEMA 5-20R	NEMA L5-20P Twist Lock	1

Isolated circuits on dual-circuit models with separate circuit breakers.

### Plugs and Receptacles

NEMA Type	Plug	Receptacle
NEMA 15 Amp, 120V, Duplex	5-15P 	5-15R 
NEMA 20 Amp, 120V, Duplex	5-20P 	5-20R 
NEMA 20 Amp, 120V, Twist Lock	L5-20P 	L5-20R 
30 Amp, 120/208V Wye, Twist Lock	L21-30P 	L21-30R 

IEC Type	Inlet	Outlet
IEC 15 Amp, 125/250V	C-14 	C-13 
IEC 20 Amp, 125/250V	C-20 	C-19 

87922518

Standard Product **Single-Phase Vertical-Mount**

Catalog Number	Length (in.)	Length (mm)	Surge Protection	Amp Meter	Load Rating	Voltage (VAC)	Joule Rating	No. of Receptacles	Receptacle Style	Power Cord Plug
DP1N120615	12.00	305	No	No	15A	120	—	6	NEMA 5-15R	NEMA 5-15P
DP1N160620S	16.00	406	Yes	No	20A	120	2000	6	NEMA 5-20R	NEMA 5-20P
DP1N481815	48.00	1219	No	No	15A	120	—	18	NEMA 5-15R	NEMA 5-15P
DP1N622415	62.00	1575	No	No	15A	120	—	24	NEMA 5-15R	NEMA 5-15P
DP1N622420	62.00	1575	No	No	20A	120	—	24	NEMA 5-20R	NEMA 5-20P
DP1N622420T	62.00	1575	No	No	20A	120	—	24	NEMA 5-20R	NEMA L5-20P Twist Lock

Isolate circuits on dual circuit models with separate circuit breakers.

DP1E2663030MT includes input power monitoring with breaker level current monitoring, daisy chain Ethernet connectivity.



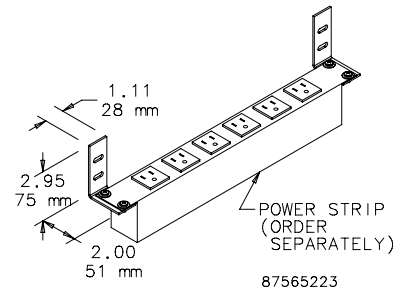
### RACK-MOUNT PDU BRACKET



Allows rack-mount power strips to be mounted to cabinet sides without using up rack space. Made of plated steel. Includes two brackets and mounting hardware. Order power strip separately.

### BULLETIN: DPS

Catalog Number	Finish	Pkg. Qty.
A19PSMB	Plated	2 brackets



### UNIVERSAL POWER STRIP BRACKET



This bracket fits in the corner of the frame of all ProLine cabinets and facilitates mounting a variety of power strips.

BULLETIN: DPY

Catalog Number	Description
EPDUBK	Universal Power Strip Bracket fits all PROLINE cabinets

### IEC C-13 RETAINING CLIP



Secures the IEC C-14 inlet into the C-13 outlet. Helps to prevent inadvertently unplugging the cord set.

BULLETIN: DPS

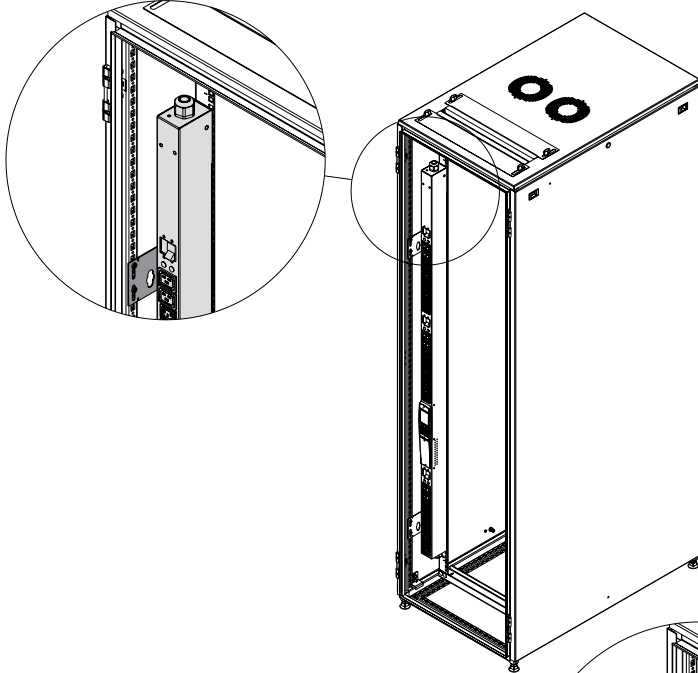
Catalog Number	Description	Pkg. Qty.
DPCLIP	IEC C-13 Retaining Clip	10

### PDU COMPONENT APPLICATION

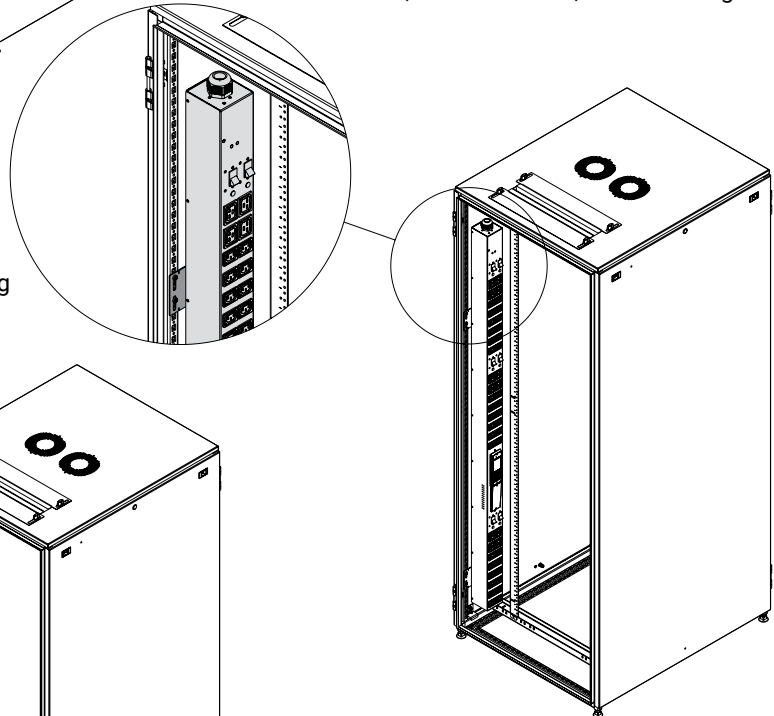
Remote sensors and displays, environmental monitors and smoke alarms help to build a system that fits the unique requirements of each individual installation.

### PDU Mounting Configurations

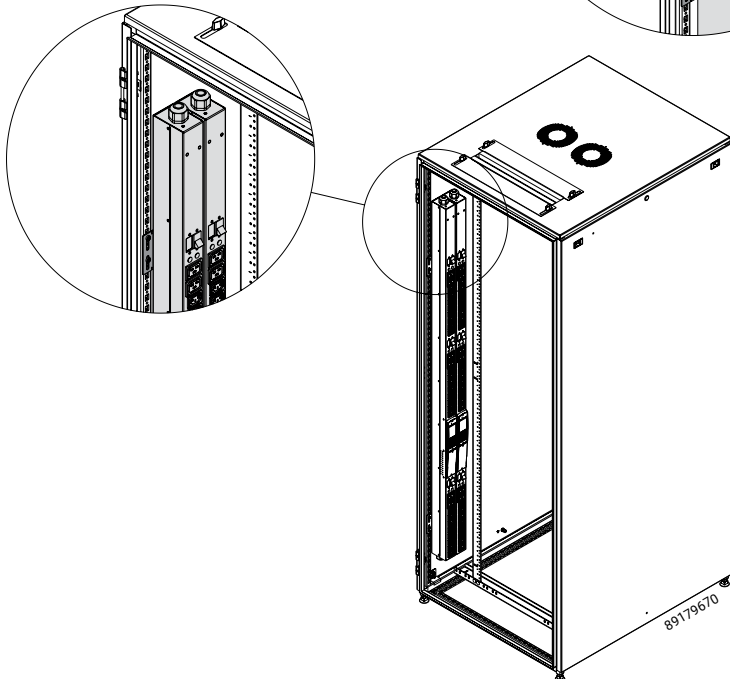
Frame Mount, Single PDU, Rear Facing



Frame Mount, Dual Feed PDU, Inward Facing

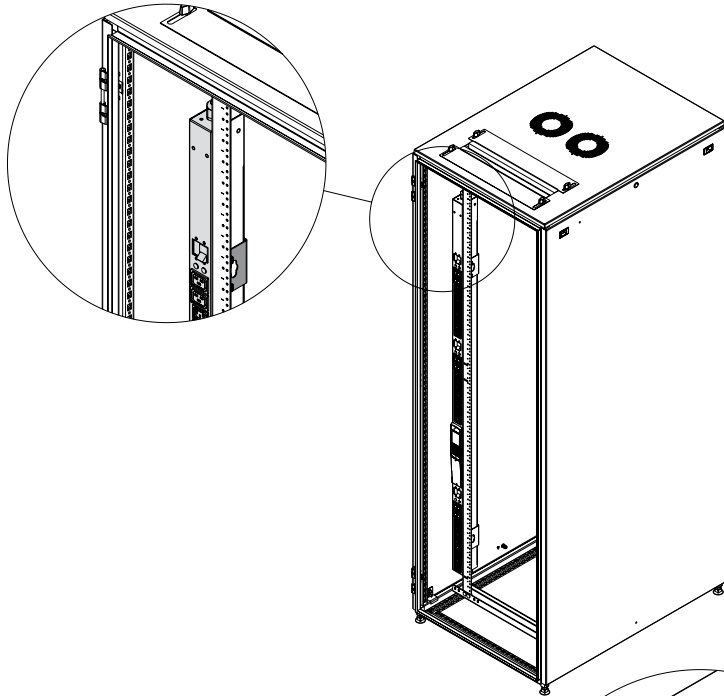


Frame Mount, Single or Dual PDUs, Inward Facing

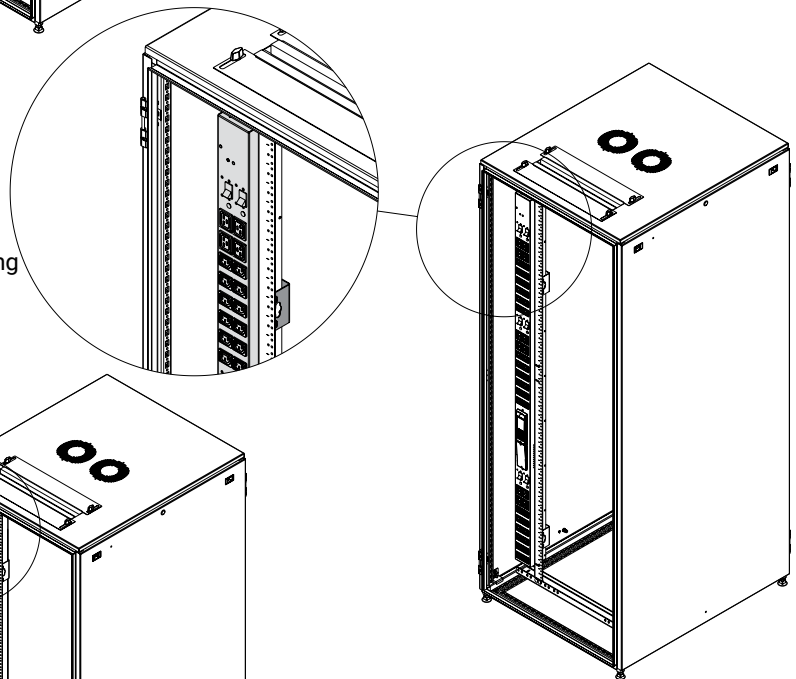


### PDU Mounting Configurations

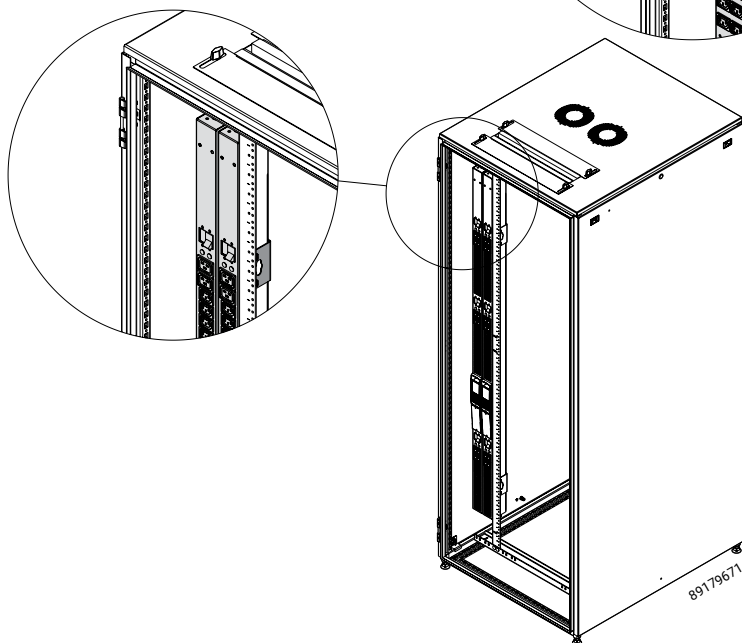
Flush Rack Angle Mount, Single PDU, Rear Facing



Flush Rack Angle Mount, Dual Feed PDU, Rear Facing



Flush Rack Angle Mount, Dual PDUs, Rear Facing



**Notes**