

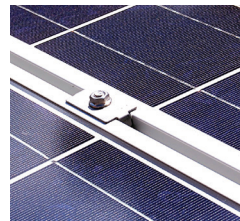
POWER RAIL™

Top-Clamping PV Mounting System
P4, P6, P8 and P14 Rails



-  COMMUNICATIONS
-  ENERGY
-  SPECIAL INDUSTRIES
-  SOLAR

POWER
RAIL



Power Rail™ Roof Mounting System

The top-clamping PV module mounting system is engineered to reduce installation costs and provide maximum strength for parallel-to-roof or tilt up mounting applications.



Cable Management in Rails

The Power Rail top-clamping mounting system is designed with the professional PV solar installer in mind. The top-clamping rails utilize a single tool with a revolutionary patented RAD™ Fastener for faster bolt placement. The unique shape of the RAD bolt provides an anti-rotation feature, locking the bolt in the proper orientation

when installed. The high strength rigid rails also include an integral wiring channel for securing cables and providing a professional finish. The Power Rail Mounting System features the industry's broadest selection of mounting supports, designed for secure and water-tight attachments to any roof style.

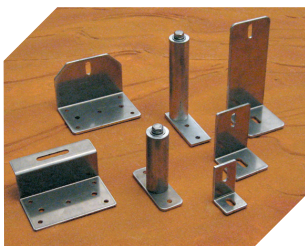


Flashed Supports

Mounting Rail Options *

- P4-Rail** Engineered to reduce cost on shorter span applications
- P6-Rail** Engineered to save cost on medium span applications
- P8-Rail** Engineered for longer span and heavier snow conditions
- P14-Rail** Engineered for commercial applications with greater distances between supports

* Reference Rail Span and Cantilever Charts located at www.preformed.com.



Easy Feet™, Power Post™ and "L" Feet Supports



Reliable

- Engineered rail profiles for maximum strength-to-weight ratio
- Structural aluminum rigid rail construction
- High strength stainless steel module clamps and hardware
- UL2703 Code Compliant



Quick Assembly

- Single Tool Assembly – all 5/16" hardware
- Patented RAD Fastener for quick bolt placements anywhere along rail
- Under flange clamping options
- Integral Wiring Channel for securing cables
- Standard lengths up to 27 feet eliminate costly rail splices
- Integrated grounding



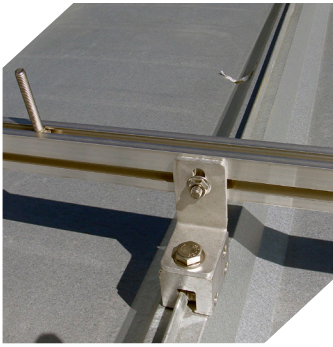
Adaptable

- Height adjustable "L" mounting feet
- Tilt Feet up to 10 degrees
- Solid Aluminum Power Post™ stanchions
- Easy Feet™ attachment anywhere on metal or composite roof decking
- PV Flashing mounting supports
- Telescoping and One-Piece Tilt Kits up to 65 degrees
- Easy Feet Tile Hooks



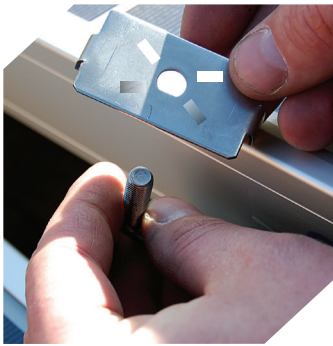
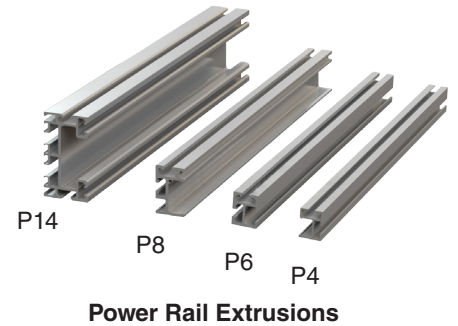
Tilt-up applications

Power Rail™ Roof Mounting System



Standard Rail Lengths

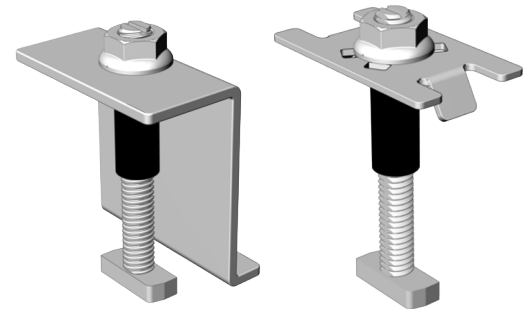
Length	P4 Part #	P6 Part #	P8 Part #	P14 Part #
84"	P4-84	P6-84	P8-84	P14-84
126"	P4-126	P6-126	P8-126	P14-126
162"	P4-162	P6-162	P8-162	P14-162
204"	P4-204	P6-204	P8-204	P14-204
242"	P4-242	P6-242	P8-242	P14-242
282"	P4-282	P6-282	P8-282	P14-282
324"	P4-324	P6-324	P8-324	P14-324



Patented Lock-In-Place
RAD™ Bolt

AMP™ Mid Clamp with RAD™ Bolt Hardware

- Twist in anywhere along rail channel avoid sliding bolts
- Eliminates the need for a separate bonding washer
- Visual indicator of bolt orientation
- "D" hole on mating clamp locks bolt from rotating
- Tight 3/8" module spacing
- High strength stainless steel clamp and bolt



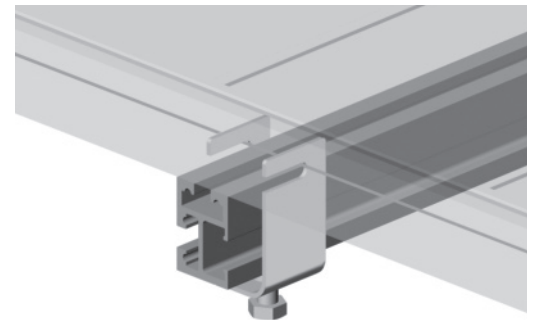
End Clamp
with RAD Bolt

AMP Mid
Clamp with
RAD Bolt



Universal End Clamp

- Simply slides under rail and clamps module flange
- Secures any framed PV module
- Improved aesthetics allow module frame to be placed flush with rail end
- High strength stainless steel construction



P6 Universal End Clamp

Refer to the Power Rail Catalog at www.preformed.com for all roof attachments and clamping options.

Residential Installations



PREFORMED
LINE PRODUCTS

Albuquerque Office
1700 Louisiana Blvd., Suite 130
Albuquerque, NM 87110 USA

Corporate Headquarters
660 Beta Drive
Cleveland, Ohio 44143 USA

Telephone: 800.260.3792
Fax: 505.881.0933
Web Site: www.preformed.com
E-mail: info@plpsolar.com

© 2017 Preformed Line Products
Printed in U.S.A.
SL-SS-1086-5
06.17.IH

