

PASXX SERIES

Monitor Air Ducts, Filters and Fans



PASxx

PASxx differential air flow switches are intended for use in air handling systems for the monitoring of air ducts, filters and fans.

The enclosure is plastic with a rating of IP54. A set-point adjustment is provided under the clip-on clear plastic cover.

Supplied complete with mounting adaptor ring, two straight duct probes and a 6-foot length of clear tubing.

SPECIFICATIONS

Medium		Air and neutral gases
Pressure range		See Ordering Information table
Set-point scale		Inches WC
Tolerable overload on one side		20 in. WC at -22 to +185 °F
Repeatability	PAS01	±2.5 (0.01 in. WC)
	PAS02	±5 (0.02 in. WC)
	PAS03	±5 (0.02 in. WC)
	PAS04	±5 (0.02 in. WC)
Switching load	Resistive load	5 A at 250 Vac 4 A at 30 Vdc
	Inductive	0.8 A at 250 Vac 0.7 A at 30 Vdc
Materials in contact with the medium		Case: PC 10% GF Cover: PC Diaphragm: Silicone LSR tempered 200 °C, free of gas emissions
Operating temperature	Medium/ambient	-22 to +185 °F (-30 to +85 °C)
	Storage	-40 to +185 °F (-40 to +85 °C)
Service life		Mechanical > 10 ⁶ = 1,000,000 switching cycles
Electrical connection		Screw terminals Cable gland type PG11 (DIN 40430) complete with cable strain relief
Switch contact type		SPDT (change-over)
Protection standard	Without cover	IP00
	With cover	IP54
Pressure connections		Pipe Ø 6.2 mm

Easy cable lead-in Integrated cable strain relief

Case geometry allows easy cable lead-in

Cable strain relief integrated in PG11 (DIN 40430)

High accuracy Snap cover

High adjustment accuracy through individual laser etched scale

User-friendly snap cover

Stable switching points

Long-term stability of switching points through trapezoidal bead diaphragm

APPLICATIONS

- High pressure monitoring
- Filter monitoring
- Vacuum pressure monitoring
- Fan monitoring

Tests/admissions	EU Conformity, Electromagnetic Compatibility: CE ¹ conformity according to EN 60730-2-6:2008 Low Voltage Directive: 2014/35/EU Gas Appliance Directive: 2009/142/EC Pressure Sensing Devices for Gas Burners and Gas Burning Appliances: EN 1854:2010 EU Directive on RoHS: 2011/65/EU
------------------	--

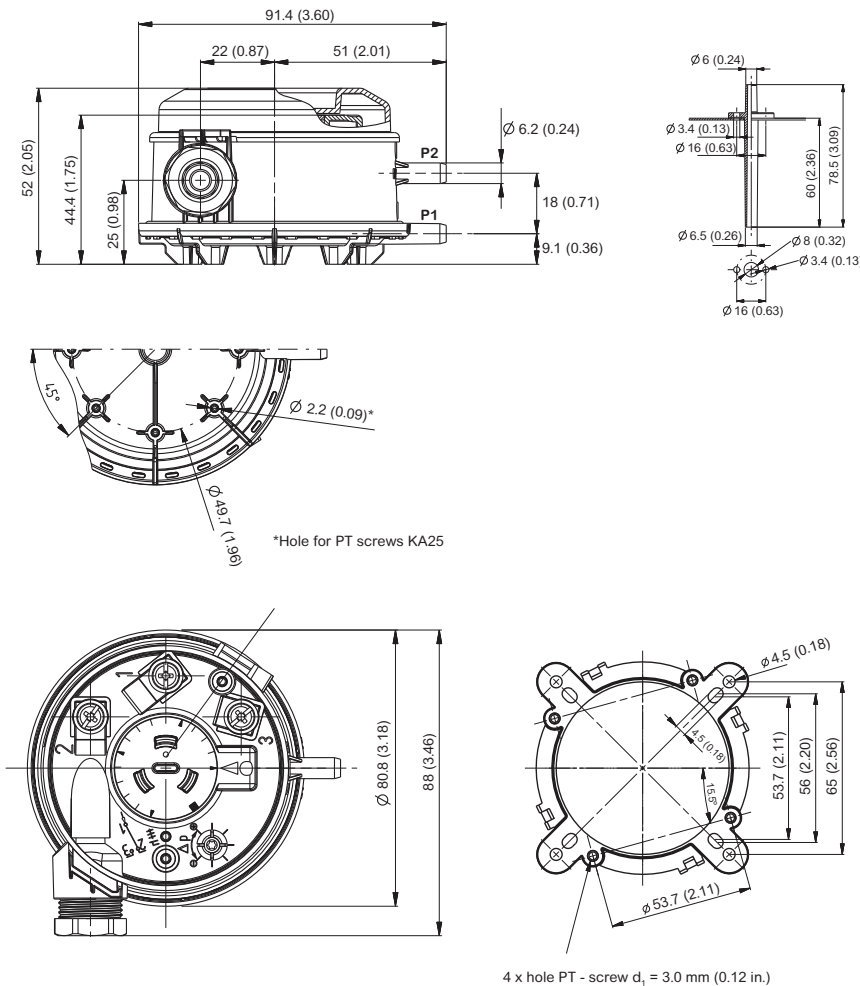
WARRANTY

Limited Warranty 5 years

AGENCY APPROVALS



DIMENSIONAL DRAWING

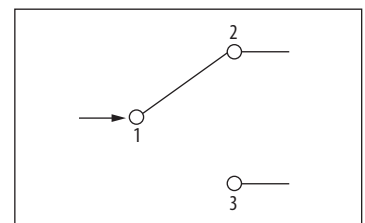


INSTALLATION

Mounting:

- Vertical with pressure connections facing downward (factory recommended)
- Horizontal with cover facing downward (switching setpoint 0.4" WC lower than scale)
- Horizontal with cover facing upward (switching setpoint 0.4" WC higher than scale)

WIRING



- 1 = COM (Common)
- 2 = NC Contact (Normally Closed)
- 3 = NO Contact (Normally Open)

FUNCTIONALITY

The pressure switch has two separate pressure chambers, each with its own connection. The switch operates when the setpoint is either exceeded or not reached.

Vacuum Monitoring

Connect the pressure switch via P2. Do not connect P1. Leave P1 open. Make sure that debris cannot get into P1.

High Pressure Monitoring

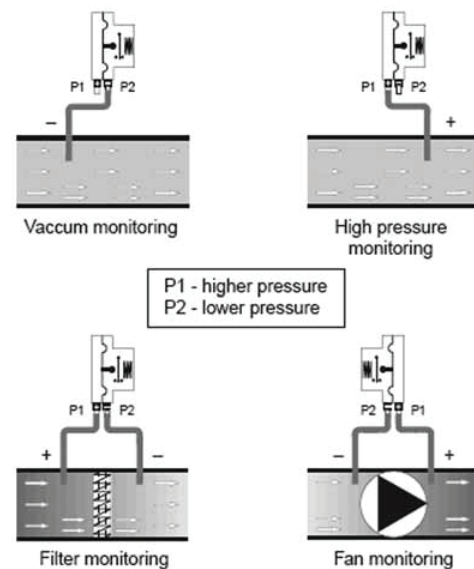
Connect the pressure switch via Pa. Do not Connect P2. Leave P2 open. Make sure that debris cannot get into P2.

Filter Monitoring

Connect P1 before the filter and P2 after it.

Fan Monitoring

Connect P1 after the fan (in blowing direction) and P2 before the fan.



ORDERING INFORMATION

PART NUMBER	DESCRIPTION	PRESSURE RANGE
PAS01	Differential Air Pressure Switch	0.08 to 1.2 in. WC (20 to 300 Pa)
PAS02		0.2 to 2.0 in. WC (50 to 500 Pa)
PAS03		0.4 to 4.0 in. WC (100 to 1000 Pa)
PAS04		2.0 to 8.0 in. WC (500 to 2000 Pa)

ACCESSORIES

- Static-04 Pick-up - 4" Duct Static Pickup Probe (AA06)
- Static-08 Pick up - 8" Duct Static Pickup Probe) (AA07)

