



ACP2LED Series American Compact LED Floodlight

PRODUCT OVERVIEW



Applications:

- | | |
|------------------|------------------|
| Auto dealerships | Shopping centers |
| Schools | Parking lots |
| Churches | Substations |
| Industrial sites | Building facades |

Features:

Mechanical

Low copper content die cast aluminum A360 alloy castings. Die cast aluminum housing has integral heat sink fins to optimize thermal management through conductive and convective cooling. Bolted or stainless steel latch option disengages top electrical cover for easy access to LED drivers, surge module, and terminal block. Vibration rated to 3G applications per ANSI C136.31-2001 and rated IP66 per IEC60068-2-3.

Rigorous five-stage pre-treating and painting process yields a finish that achieves a scribe creepage of 8 after 5,000 hours exposure to salt fog chamber per ASTM B117. External fasteners shall be stainless steel. Yoke shall be painted steel or galvanized. Knuckle shall be adjustable to fit 2.375 inch to 2.875 tenon.

Electrical

LED light engine is rated for > 100,000 hours at 25C, L70. Electronic driver has an expected life of 100,000 hours at a 25C ambient.

Robust surge protection: 20kV/10kA surge protection per ANSI C136.2 is the default, with 10kV/5kA surge optional.

Driver power factor is 90% minimum. Driver meets maximum total harmonic distortion (THD) of 20% and is ROHS compliant.

XVOLT - Electrical option provides protection against dropped neutral in 277V input as derived from 480V Wye. XVOLT also provides greater immunity from six common power quality issues.

Programmable electronic driver with 0-10V dimming control leads is standard.

Optical

Nine multi-die LED's combined with highly specular reflectors provide superior field to beam ratios, uniformity, and spacing.

NEMA optical pattern choice of flood (5x5), wide flood (6x6), and wide flood rectangle (6x5). The luminaire is available with 3000K, 4000K, and 5000K CCT with minimum CRI of 70.

Optional shielding available to control light trespass and uplight. Optical enclosure shall be glass lens.

Controls

3 pin and 7 pin rotatable NEMA photocontrol receptacles available.

Optional premium solid state locking-style photocontrol – DSS (10 year rated life).

Optional extreme long life solid state locking –style photocontrol – DLL (20 year rated life).

Optional onboard adjustable output module allows the light output and input wattage to be modified to meet site specific requirements.

Optional networked nLightAIR occupancy and motion sensor

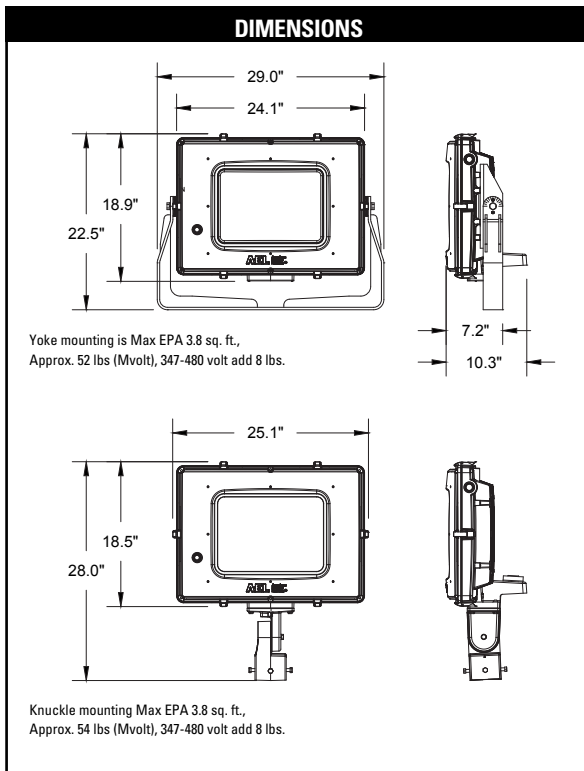
Warranty and Standards

Five year warranty. Full warranty terms located at: www.acuitybrands.com/support/warranty/terms-and-conditions

UL/CUL Listed

Suitable for ambient temperature -40C to 40C.

DesignLights Consortium® (DLC) Premium qualified product. Not all versions of this product may be DLC Premium qualified. Please check the DLC Qualified Products List at www.designlights.org/QPL to confirm which versions are qualified.



ACP2LED Series

American Compact LED Floodlight

ORDERING INFORMATION

Series	LED Performance Package	Voltage	Optics	Color Temperature
ACP2LED	P10 52000 Lumens P20 59000 Lumens P30 65000 Lumens P40 72000 Lumens P50 80000 Lumens	MVOLT Multi-volt (120V - 277V) 347 347V 480 480V XVOLT 277V-480V	55 Flood (5x5) 66 Wide Flood (6x6) 65 Wide Flood Rectangular (6x5)	Blank 4000K CCT 3K 3000K CCT 5K 5000K CCT
Mounting Methods	Color	Surge Protection	Controls	Cord Length
TM Tenon Slipfitter - knuckle (cord exits bottom slipfitter) KO Tenon Slipfitter - knuckle (cord exits via conduit entry) YK Yoke Painted Steel 3G YG Yoke Galvanized Steel 3G	Blank Gray paint BK Black paint BZ Bronze paint GI Graphite paint WH White paint	Blank Default: 20kV/10kA Extreme Surge w/Indicator Light (fail off) MP 10kV/5kA MOV (fail on)	Blank 3 pin rotatable NEMA receptacle P7 7 pin rotatable NEMA receptacle NR No PER receptacle PCLL Solid State Long Life Photocontrol PCSS Solid State Photocontrol HRSBOR ⁵ nLight Air Occ. and daylight sensor (15-30 ft) LRSBOR ⁶ nLight Air Occ. and daylight sensor (8-15 ft) SH Shorting Cap AO Field Adjustable Output DL DALI Driver - Consult Factory	04 4 ft cord length 05 5 ft cord length 06 6 ft cord length 08 8 ft cord length 10 10 ft cord length
Cord Type	Options	Accessories (Shipped Separately)		
23 12 gage, 3 conductor 43 14 gage, 3 conductor 63 16 gage, 3 conductor	TL Tool-less entry with latches NL Nema Label XL No terminal block cover and not certified	ACP2LED FV BKSDP ¹ Full Visor - Black Paint ACP2LED FV BZSDP ¹ Full Visor - Bronze Paint ACP2LED FV GISDP ¹ Full Visor - Graphite Paint ACP2LED FV GYSDP ¹ Full Visor - Gray Paint ACP2LED FV WHSDP ¹ Full Visor - White Paint	ACP2LED UBV BKSDP ² Upper/Bottom Visor - Black Paint ACP2LED UBV BZSDP ² Upper/Bottom Visor - Bronze Paint ACP2LED UBV GISDP ² Upper/Bottom Visor - Graphite Paint ACP2LED UBV GYSDP ² Upper/Bottom Visor - Gray Paint ACP2LED UBV WHSDP ² Upper/Bottom Visor - White Paint ACP2LED VG ³ Vandal Guard ACP2LED WG ⁴ Wire Guard	

Notes:

- 1 Not compatible with WG, VG, or UBV
- 2 Not compatible with WG, VG, or FV
- 3 Not compatible with WG, FV, or UBV
- 4 Not compatible with FV, UBV or VG
- 5 Available with TM. NR required

Refer to Options Matrix for compatibility.



AEL Headquarters, One Lithonia Way, Conyers Georgia 30012
 www.americanelectricalighting.com Phone: 1-866-HOLOPHANE
 Email: TechSupportINF@AcuityBrands.com

© 2013-2023 Acuity Brands Lighting, Inc. All Rights Reserved. FL-ACP2LED 01/05/23

Warranty Five-year limited warranty. This is the only warranty provided and no other statements in this specification sheet create any warranty of any kind. All other express and implied warranties are disclaimed. Complete warranty terms located at: www.acuitybrands.com/support/warranty/terms-and-conditions

Note: Actual performance may differ as a result of end-user environment and application. All values are design or typical values, measured under laboratory conditions at 25 °C. Specifications subject to change without notice.

Please contact your sales representative for the latest product information.

ACP2LED Series

American Compact LED Floodlight

OPTIONS MATRIX

ACP2LED		LED Packages					Voltage				Options								
		P10	P20	P30	P40	P50	MVOLT	347	480	XVOLT	P7	P3	NR	PCLL	PCSS	xRSBOR	SH	AO	DL
LED Packages	P10						Y	Y	Y	Y	Y	Y	Y	Y	Y	Y	Y	Y	Y
	P20						Y	Y	Y	Y	Y	Y	Y	Y	Y	Y	Y	Y	Y
	P30						Y	Y	Y	Y	Y	Y	Y	Y	Y	Y	Y	Y	Y
	P40						Y	Y	Y	Y	Y	Y	Y	Y	Y	Y	Y	Y	Y
	P50						Y	Y	Y	Y	Y	Y	Y	Y	Y	Y	Y	Y	Y
Voltage	MVOLT	Y	Y	Y	Y	Y					Y	Y	Y	Y	Y	Y	Y	Y	Y
	347	Y	Y	Y	Y	Y					Y	Y	Y	Y	N	Y	Y	Y	Y
	480	Y	Y	Y	Y	Y					Y	Y	Y	Y	N	Y	Y	Y	Y
	XVOLT	Y	Y	Y	Y	Y					Y	Y	Y	N	N	Y	Y	Y	Y
Options	P7	Y	Y	Y	Y	Y	Y	Y	Y	Y		N	N	Y	Y	N	Y	Y	Y
	P3	Y	Y	Y	Y	Y	Y	Y	Y	Y	N		N	Y	Y	N	Y	Y	Y
	NR	Y	Y	Y	Y	Y	Y	Y	Y	Y	N	N		N	N	Y	N	Y	Y
	PCLL	Y	Y	Y	Y	Y	Y	Y	Y	N	Y	Y	N		N	N	N	Y	Y
	PCSS	Y	Y	Y	Y	Y	Y	N	N	N	Y	Y	N	N		N	N	Y	Y
	xRSBOR	Y	Y	Y	Y	Y	Y	Y	Y	Y	N	N	Y	N	N		N	N	N
	SH	Y	Y	Y	Y	Y	Y	Y	Y	Y	Y	Y	N	N	N	N		Y	Y
	AO	Y	Y	Y	Y	Y	Y	Y	Y	Y	Y	Y	Y	Y	Y	N	Y		N
	DL	Y	Y	Y	Y	Y	Y	Y	Y	Y	Y	Y	Y	Y	Y	N	Y	N	

ACP2LED	Distribution	Input Watts	3000K		4000K		5000K		LDD @ 25°C		
			Lumens	LPW	Lumens	LPW	Lumens	LPW	50k hours	75k hours	100k hours
P10	55	357	50,549	142	51,484	144	52,419	147	0.92	0.89	0.85
	65		51,108	143	52,053	146	52,998	148			
	66		52,042	146	53,004	148	53,966	151			
P20	55	409	56,993	139	58,047	142	59,101	144	0.92	0.89	0.85
	65		57,623	141	58,669	143	59,754	146			
	66		58,676	143	59,761	146	60,846	149			
P30	55	462	63,226	137	64,395	139	65,564	142	0.92	0.89	0.85
	65		63,925	138	65,107	141	66,289	143			
	66		65,093	141	66,296	143	67,500	146			
P40	55	521	69,845	134	71,137	136	72,428	139	0.91	0.87	0.84
	65		70,617	135	71,922	138	73,228	140			
	66		71,907	138	73,237	140	74,566	143			
P50	55	581	77,290	133	78,720	135	80,149	138	0.90	0.85	0.81
	65		78,145	134	79,584	137	81,035	139			
	66		79,573	137	81,044	139	82,515	142			

Ambient Temperature Factor				
0°C	15°C	25°C	35°C	40°C
1.03	1.01	1.00	0.99	0.98

Performance Package	Watts	Current (A)					
		120V	208V	240V	277V	347V	480V
P10	357	3.0	1.7	1.5	1.3	1.1	0.8
P20	409	3.5	2.0	1.7	1.5	1.2	0.9
P30	463	3.9	2.3	2.0	1.7	1.4	1.0
P40	522	4.4	2.5	2.2	1.9	1.5	1.1
P50	581	4.9	2.8	2.4	2.1	1.7	1.2