

Lighting

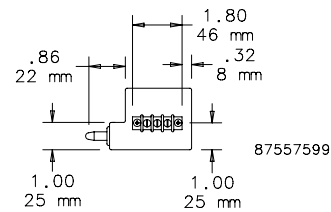
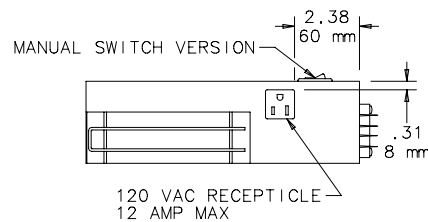
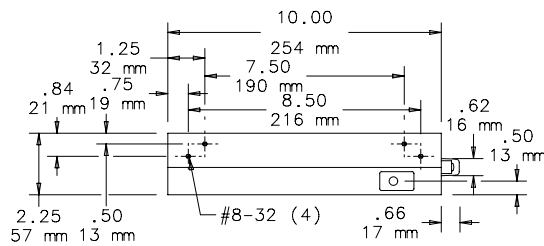
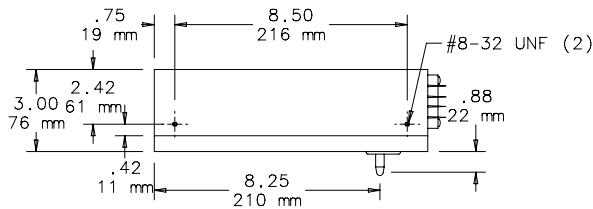
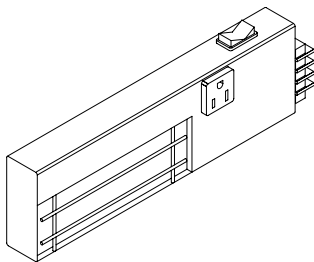
Incandescent Lighting Package



For interior enclosure lighting. Available with a door-activated or manual switch. On door-activated switches, the circuit is closed (activates the light) when the enclosure door is opened. Includes terminal block for connection to the electrical

supply, convenience outlet, and removable wire bulb guard. Mounts at the top of the enclosure door opening. Protrudes into the opening less than one inch (25mm).

Catalog Number	Description	VAC	Hz	Amps
PLTMB1	Manual switch with terminal block	120	50/60	15
PLTDB1	Door switch with terminal block	120	50/60	15



Accessories

Lighting

Fluorescent Lighting Package



These low-profile light packages are available with either a manual or a door-activated switch. On door-activated switches, the circuit is closed (activates the light) when the enclosure door is opened. Each light comes with a pre-wired terminal block for easy connection to electric supply, in either 115 volt or

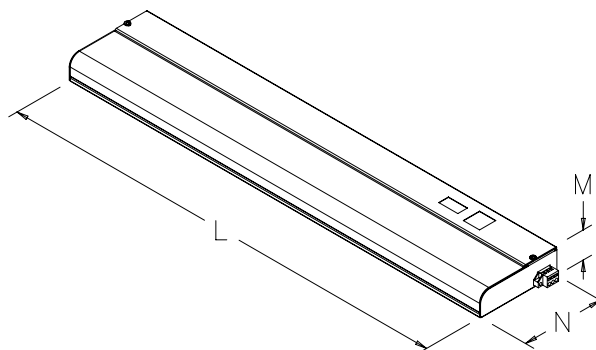
230 volt models. An easy to remove, non-yellowing white plastic lens cover provides protection against bulb breakage (fluorescent bulb not included). All 115 volt models come standard with a 9 amp convenience outlet. Standard mounting hardware and brackets included. Body finish is light gray RAL 7035 polyester powder paint. Underwriters' Laboratories Inc. listed:

UL 508 Component Recognized File No. E229434

cUL Component Recognized C22.2 No. 14 File No. E229434

Maintains Type 4 and Type 12 when properly installed in a Hoffman enclosure.

Optional accessories include a mounting bracket kit designed specifically for Hoffman PROLINE® disconnect enclosure applications and easy to mount "remote" manual and door-activated switches with mounting bracket. Accept the following standard bulbs, which are not included with light package: F8T5, F15T8, F18T8, or F40T12.



Catalog Number	Description	VAC	Hz	Amps	Convenience Outlet	L (in.)	L (mm)	M (in.)	M (mm)	N (in.)	N (mm)
ALF16D12R	Door switch	115	60	0.16	Yes	12.30	312	1.38	42	4.59	140
ALF16M12R	Manual switch	115	60	0.16	Yes	12.30	312	1.38	42	4.59	140
ALF16D18R	Door switch	115	60	0.35	Yes	18.10	460	1.38	42	4.59	140
ALF16M18R	Manual switch	115	60	0.35	Yes	18.10	460	1.38	42	4.59	140
	Manual switch, 6 ft. power cord ^a	115	60	0.35	Yes	18.10	460	1.38	42	4.59	140
ALF25D18R	Door switch	230	50	0.30	No	18.10	460	1.84	56	5.25	160
ALF25M18R	Manual switch	230	50	0.30	No	18.10	460	1.84	56	5.25	160
ALF16D24R	Door switch	115	60	0.35	Yes	24.10	612	1.38	42	4.59	140
ALF16M24R	Manual switch	115	60	0.35	Yes	24.10	612	1.38	42	4.59	140
ALF16M48R	Manual switch	115	60	0.65	Yes	48.00	1219	1.84	56	5.25	160

^a Corded light is listed to UL/cUL 153 standard.

Mounting Bracket Kit for Fluorescent Light Package

Kit simplifies mounting light package in Hoffman PROLINE® disconnect enclosures. Includes brackets, all mounting hardware, and complete instructions.

Catalog Number	Description
PDLFBRKT	Mounting Bracket Kit

Switches

Remote switches for these light packages.

Catalog Number	Description
ALFSWM	Manual switch
ALFSWD	Door-activated switch

