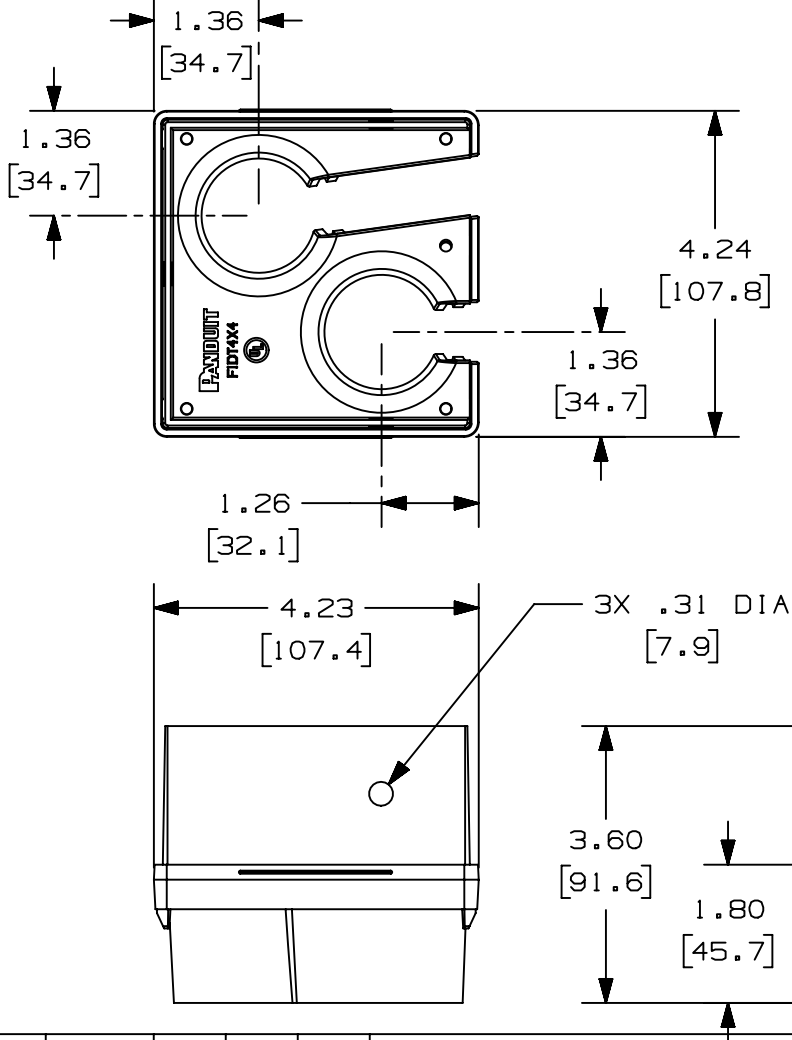


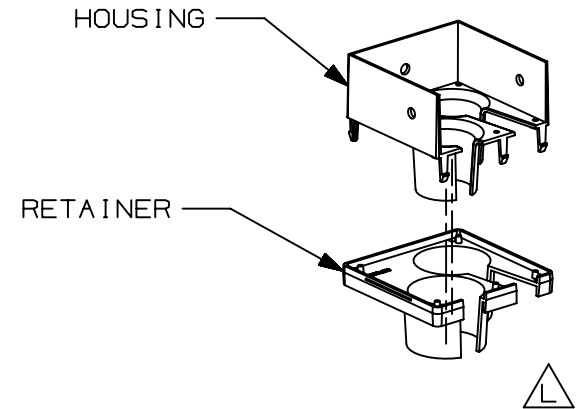
THIS COPY IS PROVIDED ON A RESTRICTED BASIS AND IS NOT TO BE USED IN ANY WAY DETRIMENTAL TO THE INTERESTS OF PANDUIT CORP.



PANDUIT PART NUMBER	WEIGHT	MATERIAL
FIDT4X4BL	0.35 LB/EACH (157g/EACH)	ABS
FIDT4X4LBL	0.35 LB/EACH (157g/EACH)	PC/ABS

NOTES:

1. SEE CURRENT CATALOG FOR ADDITIONAL PART SUFFIXES TO INDICATE PACKAGE QUANTITY.
2. THE FIBER-DUCT 4x4 2-PORT SPILL-OUT TO 1 1/2" I.D. CORRUGATED LOOM TUBING IS USED TO CREATE A 2-PORT FLEXIBLE SPILL-OUT INTO EQUIPMENT FRAMES OR TELECOMMUNICATIONS CABINETS. THE SPILL-OUT ACCEPTS TWO (2) PIECES OF 1 1/2" (38.1) I.D. SLIT CORRUGATED LOOM TUBING (CLT150F-X**, CLT150F-T20)
3. DIMENSIONS IN PARENTHESES ARE IN METRIC.



REV	DATE	BY	CHK	APR	DESCRIPTION	ECN
5B	10/13/2020	MES	DWR	DWR	M. ADDED NEW PART NUMBER	V09002DZ/15
5	05-09-13	JBN	RTFI	RN	L. UPDATED DRAWING BORDER & TITLE BLOCK	37185-76

TITLE FIBER-DUCT 4X4 2-PORT SPILL-OUT TO 1-1/2" I.D. CORRUGATED LOOM TUBING - FIDT4X4BL, FIDT4X4LBL		PANDUIT
CUSTOMER DRAWING		
ITEM REVISION NAME D37185FD/02		MATERIAL: SEE PART NUMBER TABLE ABOVE
DATASET FILE NAME D37185FD_DC_FIDT4X4/02A		
UNLESS OTHERWISE SPECIFIED, DIMENSIONAL TOLERANCES ARE: IN [mm] .X ± .XXX ± .XX ± .03 [.8] ANGLES ±		
DRAWN BY: REWE DATE: 05-09-00 CHK: WAB SCALE: NONE		DRAWING NUMBER: 37185-76
SHT 1 OF 1		SIZE: A

D10100DA/15