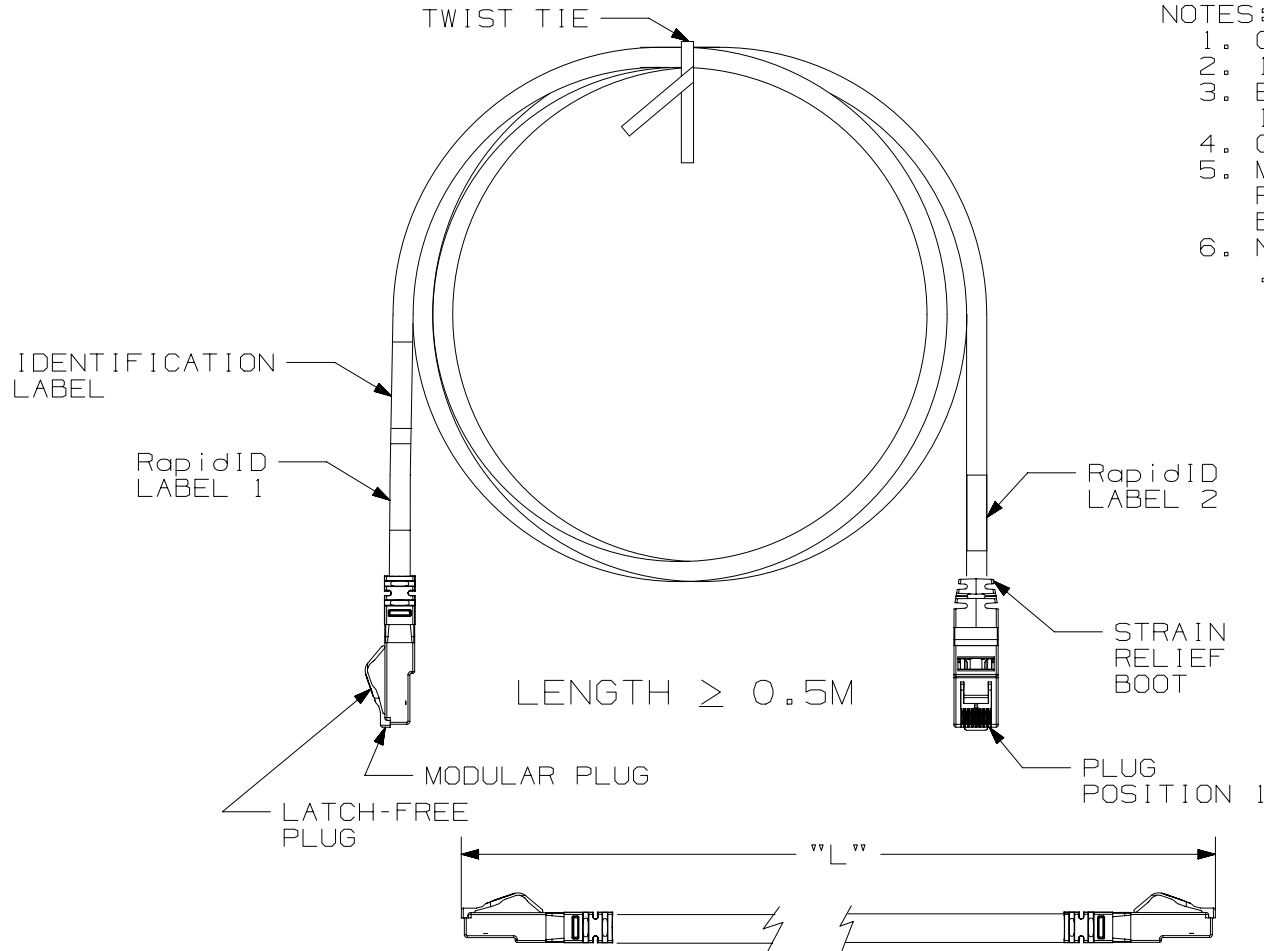


THIS COPY IS PROVIDED ON A RESTRICTED BASIS AND IS NOT TO BE USED IN ANY WAY DETRIMENTAL TO THE INTERESTS OF PANDUIT CORP.



NOTES:

1. CAT6A (10GIG) UTP PATCH CORDS
2. 100% FACTORY PERFORMANCE TESTED
3. EXCEEDS ANSI/TIA 568.2-D CAT6A AND ISO11801 CLASS Ea REQUIREMENTS
4. C(UL)US LISTED, FILE NUMBER E129886
5. MATERIAL:  
 PLUG: POLYCARBONATE  
 BOOT: CLEAR PVC
6. NOMINAL CABLE JACKET DIAMETER IS .250in. (6.4mm)

SEE SHEET 3 FOR PATCH CORD LENGTHS AND PART NUMBERS

T568B WIRING SCHEME

PLUG POSITION:	CABLE WIRE:
1	WHITE/ORANGE
2	ORANGE
3	WHITE/GREEN
4	BLUE
5	WHITE/BLUE
6	GREEN
7	WHITE/BROWN
8	BROWN

PART NUMBER		UTP6AX**	
TITLE		TX6A 10GIG UTP PATCH CORDS (CM)	
CUSTOMER DRAWING			
ITEM REVISION NAME		00109EAC/02	
DATASET FILE NAME		00109EAC_DC/02A	
		THIRD ANGLE PROJECTION	
MATERIAL		SEE NOTE 5	
DRAWING NUMBER		00109EAC-DC	
REV	DATE	BY	CHK
02A	5-21-21	BJN	MAT0
REV	DATE	BY	CHK
02A	5-21-21	BJN	MAT0
BY	CHK	APR	SCALE
BJN	MAT0	APR	NONE
DESCRIPTION	ECN	SHEET 1 OF 3	
REVISED & REDRAWN PREVIOUS REVISIONS REMVD FOR CLARITY	00109EAC-DC	A	

A-SIZE CUSTOMER

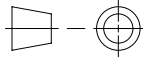


THIS COPY IS PROVIDED ON A RESTRICTED BASIS AND IS NOT TO BE USED IN ANY WAY DETRIMENTAL TO THE INTERESTS OF PANDUIT CORP.

PANDUIT P/N	LENGTH
UTP6AX1**	1 FT
UTP6AX2**	2 FT
UTP6AX3**	3 FT
UTP6AX4**	4 FT
UTP6AX5**	5 FT
UTP6AX6**	6 FT
UTP6AX7**	7 FT
UTP6AX8**	8 FT
UTP6AX9**	9 FT
UTP6AX10**	10 FT
UTP6AX11**	11 FT
UTP6AX12**	12 FT
UTP6AX13**	13 FT
UTP6AX14**	14 FT
UTP6AX15**	15 FT
UTP6AX16**	16 FT
UTP6AX17**	17 FT
UTP6AX18**	18 FT
UTP6AX19**	19 FT
UTP6AX20**	20 FT
UTP6AX21**	21 FT
UTP6AX22**	22 FT
UTP6AX23**	23 FT
UTP6AX24**	24 FT
UTP6AX25**	25 FT
UTP6AX26**	26 FT
UTP6AX27**	27 FT
UTP6AX28**	28 FT
UTP6AX29**	29 FT
UTP6AX30**	30 FT
UTP6AX35**	35 FT
UTP6AX40**	40 FT
UTP6AX45**	45 FT
UTP6AX50**	50 FT
UTP6AX0.2M**	0.2 M
UTP6AX0.5M**	0.5 M
UTP6AX1M**	1 M
UTP6AX1.5M**	1.5 M
UTP6AX2M**	2 M
UTP6AX2.5M**	2.5 M
UTP6AX3M**	3 M
UTP6AX3.5M**	3.5 M
UTP6AX4M**	4 M
UTP6AX4.5M**	4.5 M
UTP5AX5M**	5 M
UTP6AX6M**	6 M
UTP6AX7M**	7 M
UTP6AX8M**	8 M
UTP6AX9M**	9 M
UTP6AX10M**	10 M
UTP6AX11M**	11 M
UTP6AX12M**	12 M
UTP6AX13M**	13 M
UTP6AX14M**	14 M
UTP6AX15M**	15 M
UTP6AX20M**	20 M

\*\* = COLOR OF CABLE  
 BLANK = OFF-WHITE  
 BU = BLUE  
 RD = RED  
 YL = YELLOW  
 BL = BLACK  
 OR = ORANGE  
 GR = GREEN  
 VL = VIOLET  
 GY = GRAY

NOTE - STRAIN RELIEF BOOTS AVAILABLE  
 IN CLEAR ONLY

PART NUMBER		UTP6AX**	
TITLE			
TX6A 10GIG UTP PATCH CORDS (CM)		CUSTOMER DRAWING	
ITEM REVISION NAME		00109EAC/02	
DATASET FILE NAME		00109EAC_DC/02A	
		THIRD ANGLE PROJECTION	
MATERIAL		SEE NOTE 5	
DRAWING NUMBER		00109EAC-DC	
DRAWN BY		BJN	
DATE		6-10-20	
CHK		REFR	
SCALE		NONE	
SHEET 3 OF 3		A	

REV	DATE	BY	CHK	APR	DESCRIPTION	ECN
02A	5-21-21	BJN	REFR	RWI	SEE SHEET 1 FOR REVISION HISTORY	00109EAC-DC

B

B

A

A

A-SIZE CUSTOMER