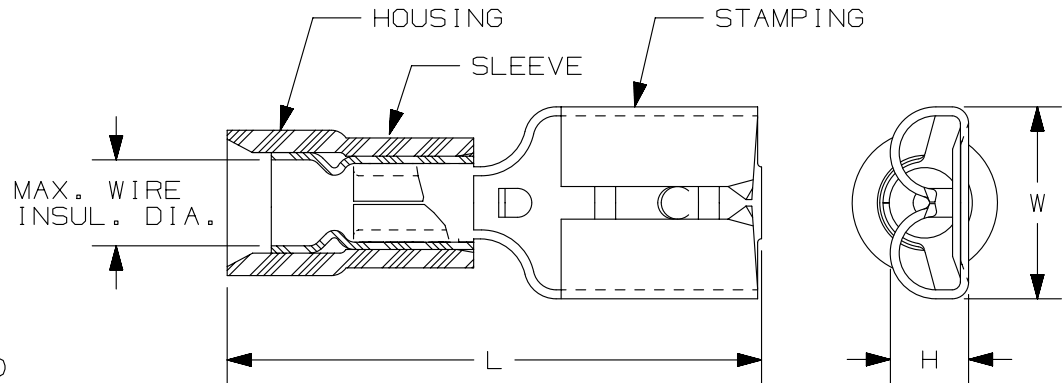


THIS COPY IS PROVIDED ON A RESTRICTED BASIS AND IS NOT TO BE USED IN ANY WAY DETRIMENTAL TO THE INTERESTS OF PANDUIT CORP.

PANDUIT PART #	TAB SIZE	WIRE RANGE		COLOR	DIMENSIONS in. [mm]			
		ENGLISH AWG	METRIC mm ²		MAX. WIRE INSUL. DIA.	L ± .03 [0,8]	W ± .01 [0,3]	H ± .01 [0,3]
DNF18-187	.187 X .032 [4,8 X 0,8]	22-18	0,5-1,0	RED	.14 [3,5]	.76 [19,3]	.23 [5,8]	.10 [2,5]
DNF14-187		16-14	1,5-2,5	BLUE	.16 [4,1]			

NOTES:

- USED FOR:
 - A. STRANDED COPPER WIRE ONLY
 - B. 194°F [90°C] MAX. OPERATING TEMPERATURE
 - C. 300 V. MAX. VOLTAGE RATING
- MATERIAL:
 - A. STAMPING: .016 [0,41] TIN PLATED BRASS
 - B. SLEEVE: BRASS, TIN PLATED
 - C. HOUSING: NYLON
- INSTALLATION TOOLS:
 - A. UL LISTED AND CSA CERTIFIED: CT-600-A (CT-570CH), CT-1550, CT-1551, CT-2500 (CT-2550CH)
 - B. PANDUIT APPROVED: CT-100A, CT-160, CT-260
- WIRE STRIP LENGTH: 9/32 ^{+1/32}/₀ [7,1 ^{+0,8}/₀]
- SEE www.panduit.com FOR PACKAGE QUANTITIES INDICATED BY PART NUMBER SUFFIX
- DIMENSIONS IN BRACKETS ARE METRIC EQUIVALENT
- FIRST INSERTION FORCE: 12 Lb [53 N] MAXIMUM
FIRST WITHDRAWAL FORCE: 12 Lb [53 N] MAXIMUM
6 Lb [27 N] MINIMUM



LISTED
20H3
E78522



CERTIFIED
LR31212

REV	DATE	BY	CHK	APR	DESCRIPTION	ECN
07	10.19.12	JBN	LCA	VMB	ADDED METRIC EQUIVALENTS UPDATED DRAWING TO CURRENT STANDARDS	A41312

TITLE		FEMALE DISCONNECTS, NYLON FUNNEL INSULATED		
ITEM REVISION NAME		CUSTOMER DRAWING		
DATASET FILE NAME		N41312BA/07		
UNLESS OTHERWISE SPECIFIED, DIMENSIONAL TOLERANCES ARE: IN [mm]				
.x ± .1 [2.54] .xxx ± .005 [0.127] .xx ± .01 [0.25] ANGLES ± 5°				
DRAWING NUMBER:		A41312		
DRAWN BY	DATE	CHK	SCALE	SIZE
DAW	-	-	N.T.S.	A

D10100DA/15