



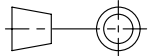
THIS COPY IS PROVIDED ON A RESTRICTED BASIS AND IS NOT TO BE USED IN ANY WAY DETRIMENTAL TO THE INTERESTS OF PANDUIT CORP.

| PART NO. | DESCRIPTION                                | DUAL HINGE DOOR | SPLIT DOOR | SINGLE HINGE DOOR | SPLIT SIDE PANEL | CAGE NUT E-RAIL (2-SETS) | TAPPED E-RAIL (2-SETS) | CABLE MANAGEMENT | CABINET WEIGHT FULLY UNPACKAGED | CABINET WEIGHT SHIPPING WEIGHT |
|----------|--|-----------------|------------|-------------------|------------------|--------------------------|------------------------|------------------|---------------------------------|--------------------------------|
| N8212*T  | NET-ACCESS N-TYPE CABINET 42RUX1070mm DEEP | 01              | 01         | 00                | 02               | 00                       | 01                     | 02               | 144 Kg/EACH<br>318 LBS/EACH     | 165 Kg/EACH<br>363 LBS/EACH    |
| N8512*T  | NET-ACCESS N-TYPE CABINET 45RUX1070mm DEEP | 01              | 01         | 00                | 02               | 00                       | 01                     | 02               | 150 Kg/EACH<br>332 LBS/EACH     | 171 Kg/EACH<br>377 LBS/EACH    |
| N8812*T  | NET-ACCESS N-TYPE CABINET 48RUX1070mm DEEP | 01              | 01         | 00                | 02               | 00                       | 01                     | 02               | 159 Kg/EACH<br>350 LBS/EACH     | 179 Kg/EACH<br>395 LBS/EACH    |
| N8219*T  | NET-ACCESS N-TYPE CABINET 42RUX1070mm DEEP | 01              | 01         | 00                | 00               | 00                       | 01                     | 02               | 106 Kg/EACH<br>235 LBS/EACH     | 127 Kg/EACH<br>280 LBS/EACH    |
| N8519*T  | NET-ACCESS N-TYPE CABINET 45RUX1070mm DEEP | 01              | 01         | 00                | 00               | 00                       | 01                     | 02               | 113 Kg/EACH<br>250 LBS/EACH     | 134 Kg/EACH<br>295 LBS/EACH    |
| N8819*T  | NET-ACCESS N-TYPE CABINET 48RUX1070mm DEEP | 01              | 01         | 00                | 00               | 00                       | 01                     | 02               | 120 Kg/EACH<br>265 LBS/EACH     | 141 Kg/EACH<br>310 LBS/EACH    |

\* DENOTES COLOR  
 "B" = BLACK  
 "W" = WHITE

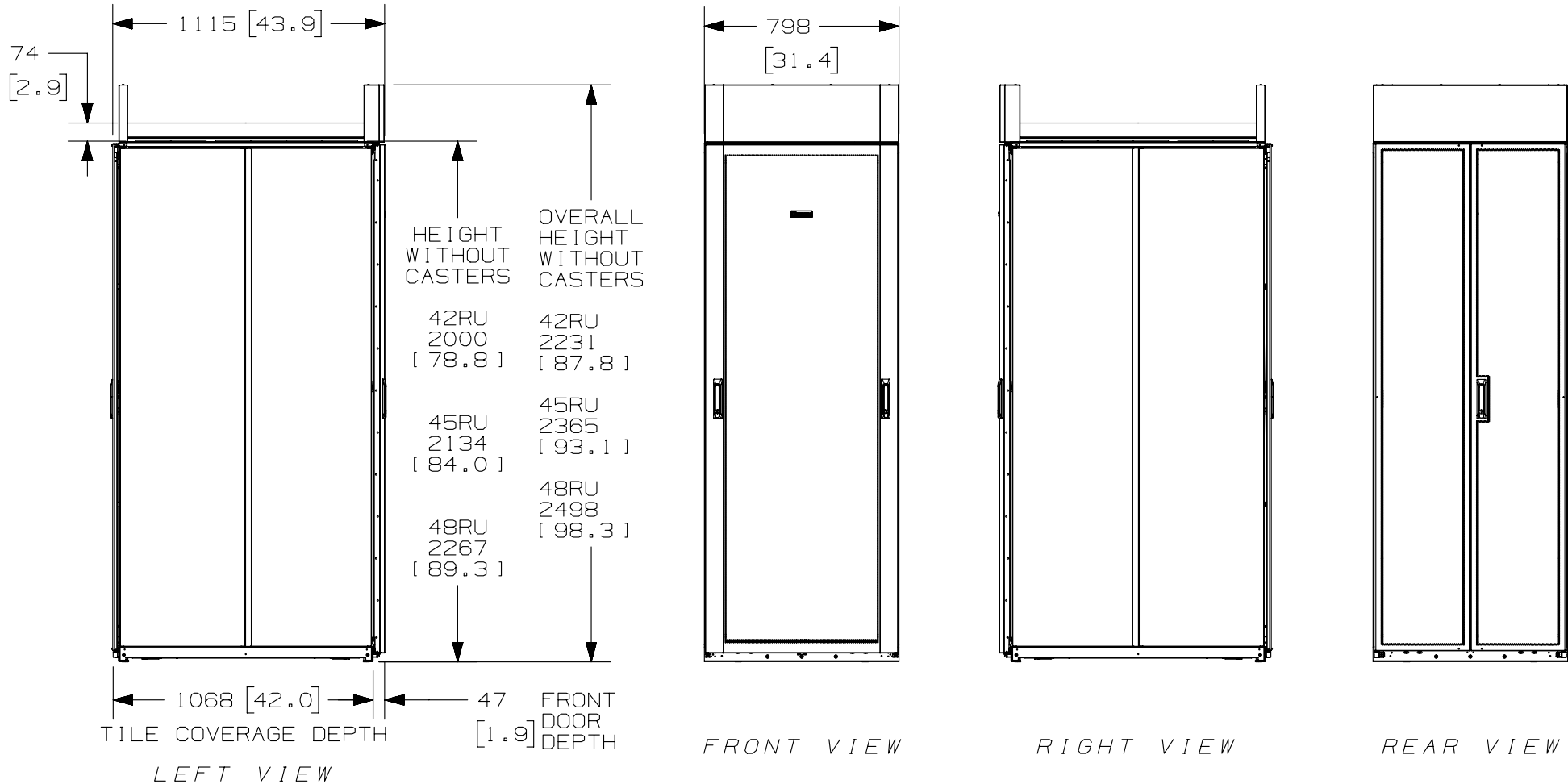
| REV | DATE     | BY  | CHK  | APR  | DESCRIPTION                    | ECN         |
|-----|----------|-----|------|------|--------------------------------|-------------|
| 01A | 12-09-14 | PBS | ADP  | TCN  | SEE SHEET 1 OF 5 FOR REVISIONS | V09000BX    |
| 00A | 4-01-13  | PBS | NAGL | JDWE | SEE SHEET 1 OF 5 FOR REVISIONS | 12V352AV-DC |

|                    |  |   |      |
|--------------------|--|---|------|
| TITLE              |  | NET-ACCESS N TYPE CABINET WITH INTEGRAL CABINET TOP CABLE ROUTING SYSTEM 800mm WIDE X 1070mm DEEP FAMILY CUSTOMER DRAWING |      |
| ITEM REVISION NAME |  | 12V352AV/01.PRT   |      |
| DATASET FILE NAME  |  | 12V352AV_DC/01A.PRT   |      |
| MATERIAL:          |  | N/A   |      |
| DRAWING NUMBER:    |  | 12V352AV-DC   |      |
| DRAWN BY           |  | DATE  | CHK  |
| PBS                |  | 4-01-14   | NAGL |
| SCALE              |  | NONE  |      |
| SHT 2 OF 5         |  | SIZE A  |      |



THIRD ANGLE PROJECTION

THIS COPY IS PROVIDED ON A RESTRICTED BASIS AND IS NOT TO BE USED IN ANY WAY DETRIMENTAL TO THE INTERESTS OF PANDUIT CORP.



| REV | DATE     | BY  | CHK  | APR  | DESCRIPTION                    | ECN         |
|-----|----------|-----|------|------|--------------------------------|-------------|
| 01A | 12-09-14 | PBS | ADP  | TCN  | SEE SHEET 1 OF 5 FOR REVISIONS | V09000BX    |
| 00A | 4-01-13  | PBS | NAGL | JDWE | SEE SHEET 1 OF 5 FOR REVISIONS | 12V352AV-DC |

|   |                 |
|---|-----------------|
| TITLE<br>NET-ACCESS N TYPE CABINET WITH<br>INTEGRAL CABINET TOP CABLE ROUTING<br>SYSTEM 800mm WIDE X 1070mm DEEP FAMILY<br>CUSTOMER DRAWING |                 |
| ITEM REVISION NAME<br>12V352AV/01.PRT   | <b>PANDUIT</b>  |
| DATASET FILE NAME<br>12V352AV_DC/01A.PRT  |                 |
| MATERIAL:<br>N/A  |                 |
| DRAWING NUMBER:<br>12V352AV-DC  |                 |
| THIRD ANGLE PROJECTION  |                 |
| DRAWN BY<br>PBS   | DATE<br>4-01-14 |
| CHK<br>NAGL   | SCALE<br>NONE   |
| SHT 3 OF 5  |                 |
| SIZE<br>A   |                 |

THIS COPY IS PROVIDED ON A RESTRICTED BASIS AND IS NOT TO BE USED IN ANY WAY DETRIMENTAL TO THE INTERESTS OF PANDUIT CORP.

2

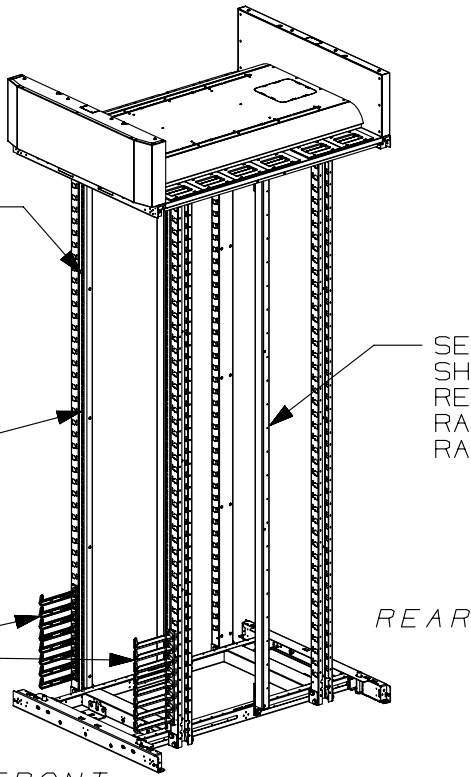
1

RACK UNITS ARE  
NUMBERED AND  
INDEXED FOR  
IDENTIFICATION

(4) TAPPED  
EQUIPMENT RAILS

VERTICAL  
CABLE  
MANAGEMENT  
FINGERS WITH  
BEND RADIUS  
CONTROL CAN BE  
ASSEMBLED FRONT  
OR REAR BY CUSTOMER

FRONT DOOR, REAR DOOR,  
AND SIDE PANELS NOT SHOWN

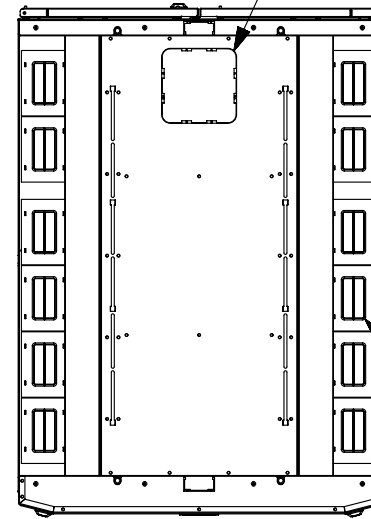


SEE NOTES ON  
SHEET 1 FOR  
REAR EQUIPMENT  
RAIL ADJUSTMENT  
RANGE

(1) 165mm X 165mm  
[6.5in][6.5in]  
KNOCKOUT FOR PDU  
POWER CORDS COMPATIBLE  
W/COOL BOOT P/N:  
CTGN6X6

REAR

(12) CABLE  
OPENINGS  
(83mm X 120mm)  
[3.26in][4.7in]  
WITH BEZELS  
AND COVERS  
COMPATIBLE  
W/ COOL BOOT  
P/N: CTGN3X5



FRONT  
TOP VIEW

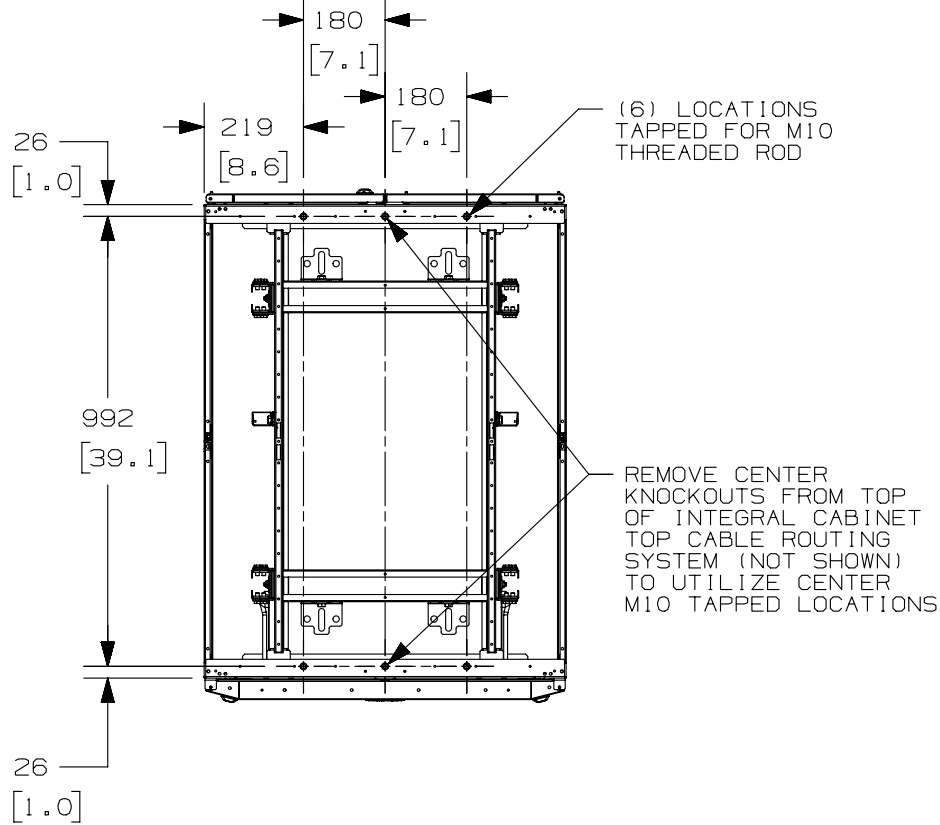
| REV | DATE     | BY  | CHK  | APR  | DESCRIPTION                    | ECN         |
|-----|----------|-----|------|------|--------------------------------|-------------|
| 01A | 12-09-14 | PBS | ADP  | TCN  | SEE SHEET 1 OF 5 FOR REVISIONS | V09000BX    |
| 00A | 4-01-13  | PBS | NAGL | JDWE | SEE SHEET 1 OF 5 FOR REVISIONS | 12V352AV-DC |

|                        |         |   |       |
|------------------------|---------|---|-------|
| TITLE                  |         | NET-ACCESS N TYPE CABINET WITH INTEGRAL CABINET TOP CABLE ROUTING SYSTEM 800mm WIDE X 1070mm DEEP FAMILY CUSTOMER DRAWING |       |
| ITEM REVISION NAME     |         | 12V352AV/01.PRT   |       |
| DATASET FILE NAME      |         | 12V352AV_DC/01A.PRT   |       |
| MATERIAL:              |         | N/A   |       |
| DRAWING NUMBER:        |         | 12V352AV-DC   |       |
| DRAWN BY               |         | DATE  | CHK   |
| PBS                    | 4-01-13 | NAGL  | SCALE |
| THIRD ANGLE PROJECTION |         | NONE  |       |
| SHT 4 OF 5             |         | SIZE  |       |
| A                      |         | A   |       |

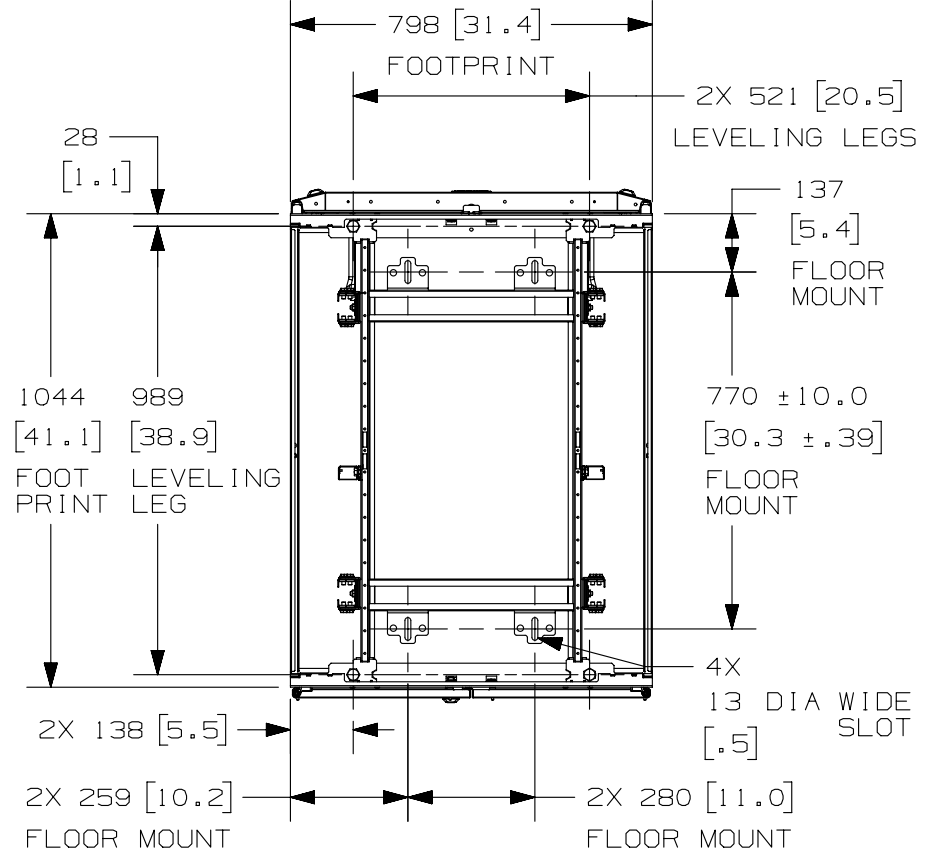
2

1

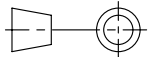
THIS COPY IS PROVIDED ON A RESTRICTED BASIS AND IS NOT TO BE USED IN ANY WAY DETRIMENTAL TO THE INTERESTS OF PANDUIT CORP.



TOP VIEW  
INTEGRAL CABINET TOP CABLE  
ROUTING SYSTEM REMOVED FOR CLARITY



REAR OF CABINET  
BOTTOM VIEW  
FLOOR MOUNTING HOLE LOCATIONS -  
SOME PARTS REMOVED FOR CLARITY

|     |          |     |      |      |                                |             |  |         |   |       |            |      |
|-----|----------|-----|------|------|--------------------------------|-------------|--|---------|---|-------|------------|------|
|     |          |     |      |      |                                |             | TITLE  |         | NET-ACCESS N TYPE CABINET WITH INTEGRAL CABINET TOP CABLE ROUTING SYSTEM 800mm WIDE X 1070mm DEEP FAMILY CUSTOMER DRAWING |       |            |      |
|     |          |     |      |      |                                |             | ITEM REVISION NAME   |         | 12V352AV/01.PRT   |       |            |      |
|     |          |     |      |      |                                |             | DATASET FILE NAME  |         | 12V352AV_DC/01A.PRT   |       |            |      |
|     |          |     |      |      |                                |             | MATERIAL:  |         | N/A   |       |            |      |
| 01A | 12-09-14 | PBS | ADP  | TCN  | SEE SHEET 1 OF 5 FOR REVISIONS | V09000BX    |  THIRD ANGLE PROJECTION |         | DRAWING NUMBER:   |       |            |      |
| 00A | 4-01-13  | PBS | NAGL | JDWE | SEE SHEET 1 OF 5 FOR REVISIONS | 12V352AV-DC |  |         | 12V352AV-DC   |       |            |      |
| REV | DATE     | BY  | CHK  | APR  | DESCRIPTION                    | ECN         | DRAWN BY   | DATE    | CHK   | SCALE | SHT 5 OF 5 | SIZE |
|     |          |     |      |      |                                |             | PBS  | 4-01-13 | NAGL  | NONE  |            | A    |

