

specifications

Active enclosure shall be rated IP66 and shall accommodate a micronode or consolidation point in an Industrial Ethernet architecture/topology. It shall be configured with a DIN rail for the attachment of an Industrial Ethernet hardened switch. All components mounted within the enclosure shall be secured to a vibration mitigation back plate for increased integrity in a harsh environment. Included shall be a power supply/converter and the necessary equipment for grounding, labeling, and cable management. The enclosure shall be equipped with four mounting brackets and two latches that shall accommodate lock-out/tag-out physical security products. Optional equipment shall allow for fiber uplinks, copper patch cords, and bulkhead jack fittings.



technical information

Standards:	IEC 60529
Dimensions:	18.5"H x 18.5"W x 8.29"D (470 x 470 x 210mm)
Color and Material:	Gray, 14 gage galvanized steel
Temperature:	Enclosure protects the active equipment to 60°C operating temperatures; an optional fan kit is available should higher temperatures and convectional cooling be required
Rating:	IP66; when fan kit is used enclosure carries a rating of IP54
Mounting:	Equipped with welded flanges/brackets for convenient wall, beam mounting
Packaging:	Includes assembled base, door, welded flanges, mounted vibration mitigation back plate, mounted 35mm DIN rail, 115/230V to 24V DC power supply/converter, enclosure kit containing labels, Tak-Ty® Hook & Loop Cable Ties, grounding cable, and adhesive back mounts

key features and benefits

Flexibility	Allows the designer of the Industrial Ethernet topology to locate hardened switches within the work zones or to remote areas of a plant or campus facility
Integrity	Vibration mitigation back plate further improves the integrity of the network by reducing vibration on the critical components, e.g., the switch
Standard NEMA knockouts	All copper or fiber bulkhead fittings are mounted into standard NEMA 30.5mm knockouts
Switch of choice	35mm DIN rail will accommodate any DIN rail mountable hardened switch; populated 14 port gland plate is available for 12 port, two-port uplink switches; unpopulated gland plate is available for fewer port-count switches

applications

The IndustrialNet™ Ethernet Enclosure is designed to protect Industrial Ethernet hardened switches in harsh environments. The enclosure is ideally suited for work zone cells where the switch is integrated into the automation equipment. The enclosure allows for long runs (in the architecture) to be accommodated by fiber. It can also be used in the

integration of Building Automation Systems into the LAN. With IP ratings of IP66 or IP54, the enclosure provides reliability and high performance, as an integral component to the end-to-end solution for Industrial Networks.

IndustrialNet™ Ethernet Enclosure

Enclosure: IAEIP66

Enclosure Equipment

Populated gland plate: IAECGP

Unpopulated gland plate: IAEBGP

Bulkhead assembly: IAEPGBH

Fan kit: IAEFK54
(Used in high temperature conditions above 60°)

Fiber Kits

Splice fiber uplink kit: IAEFKSP

SC coupler fiber uplink kit: IAEFKSC

Knockout tool: IEKO30

IndustrialNet™ TX5e™ Connectors

Bulkhead jack (UTP): CJI5E88T

Bulkhead jack (ScTP): CJSI5E88T

Plug (UTP): MPI588T

Plug (ScTP): MPSI588T

Coupler: IAEBHJC

IndustrialNet™ TX5e™ Patch Cords

3': IUTPCH3

5': IUTPCH5

7': IUTPCH7

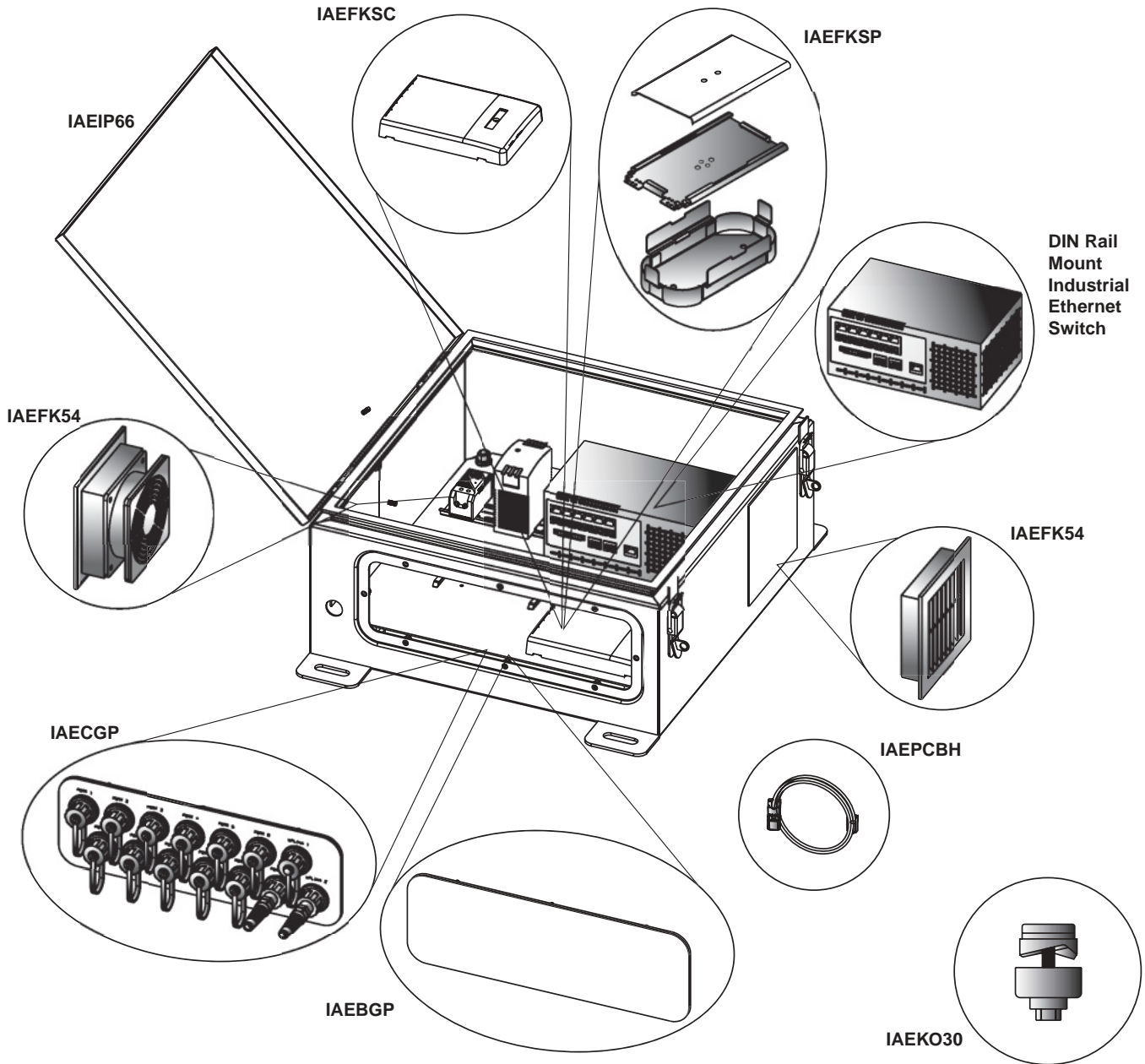
10': IUTPCH10

15': IUTPCH15

20': IUTPCH20

Consult factory for additional lengths and colors

IndustrialNet™ Ethernet Enclosure



WORLDWIDE SUBSIDIARIES AND SALES OFFICES

PANDUIT CANADA
Markham, Ontario
cs-cdn@panduit.com
Phone: 800.777.3300

PANDUIT EUROPE LTD.
London, UK
cs-emea@panduit.com
Phone: 44.20.8601.7200

PANDUIT SINGAPORE PTE. LTD.
Republic of Singapore
cs-ap@panduit.com
Phone: 65.6305.7575

PANDUIT JAPAN
Tokyo, Japan
cs-japan@panduit.com
Phone: 81.3.6863.6000

PANDUIT LATIN AMERICA
Jalisco, Mexico
cs-la@panduit.com
Phone: 52.33.3777.6000

PANDUIT AUSTRALIA PTY. LTD.
Victoria, Australia
cs-aus@panduit.com
Phone: 61.3.9794.9020

For a copy of Panduit product warranties, log on to www.panduit.com/warranty

For more information

Visit us at www.panduit.com

Contact Customer Service by email: cs@panduit.com
or by phone: 800-777-3300 and reference RKSP45



©2009 Panduit Corp.
ALL RIGHTS RESERVED.

WW-RKSP45

Replaces SA-FBSP08
10/2009