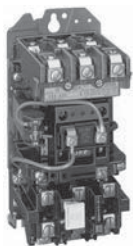


# NEMA Non-Reversing Starters

Product Overview/Cat. No. Explanation



**Bulletin 509, Size 1 with Eutectic Alloy Overload Relay**  
Open Type without Enclosure

### Bulletin 509 Open Type Full Voltage Starter

- Feed-through construction
- Starter can be field wired for single- or three-phase applications

#### NEMA sizes 0...4

- Available as components or as a modular kit for faster delivery
- Product selection can be done via two options:
  - Ordering a complete kit
  - Ordering individual components
- Starter includes a 120V AC coil and (1) N.O. auxiliary contact, as standard

#### NEMA sizes 00, 5...9

- Available as factory assembled

#### NEMA sizes 00...9 (Enclosed)

- Available as factory assembled

### Table of Contents

Product Selection ..... 1-46  
 Modifications ..... 1-106  
 Accessories ..... 1-111  
 Specifications ..... 1-126  
 Approximate Dimensions ..... 1-133  
 Heater Element Selection ..... 1-167

### Standards Compliance

NEMA/EEMAC ICS 2  
 UL 508  
 CSA C22.2 No.14  
 ABS 4/5.115 — American Bureau of Shipping  
 UCSG 46 CFR 111.70  
 EN/IEC 60947-4-1  
 CE Marked

### Certifications

CSA Certified (LR1234)  
 UL Listed (File No. E3125, Guide No. NLDX)  
 Hazardous Location: UL Listed (File No. E10314), CSA Certified (LR 11924)

### Catalog Number Explanation

Example Cat. No.

**509 – B O D – A2E – 17**

*a                      b                      c                      d                      e                      f*

*a*

Bulletin No.	
Bulletin No.	Description
509	Top-wired contactor
509DC	Top-wired contactor (DC voltage)

*b*

NEMA Size	
Code	Description
T	00
A	0
B	1
C	2
D	3
E	4
F	5
G	6
H	7
J	8
K	9

*c*

NEMA Enclosure Type	
Code	Type
A	Type 1
C	Type 4X (stainless steel)
H	Type 3R, 7 & 9 bolted
J	Type 3R/4/12
O	No enclosure

*d*

Nominal Coil Voltage		
Code	Voltage	Frequency
A	220V 240V	50 Hz 60 Hz
B	440V 480V	50 Hz 60 Hz
C	550V 600V	50 Hz 60 Hz
D	110V 120V	50 Hz 60 Hz
F	277V	60 Hz
H	200...208V	60 Hz
I	415V	50 Hz
J	24V	50/60 Hz
N	380V	50 Hz
VL	24V DC	—
VG	125...250V DC	—

*e*

Eutectic Overload Relay	
Code	Description
blank	Eutectic Alloy

E1 Plus Solid-State Overload Relay		
Code	NEMA Size	Full Load Current Adjustment Range [A]
3-Phase		
A2C	0,1	0.2...1.0
A2E	0,1	1.0...5.0
A2F	0,1	3.2...16
A2G	0,1,2	5.4...27
A2J	1,2,3	9...45
A2L	3	18...90
A2M	4	30...150
A2N	5	60...300
A2R	6	120...600
A2T	7	256...810
A2U	8	384...1215
A2V	9	800...2250
1-Phase		
S2E	0,1	1.0...5.0
S2F	0,1	3.2...16
S2G	0,1,2	5.4...27
S2J	1,2,3	9...45
S2L	3	18...90

*f*

Factory Installed Modifications/Options	
For detailed information, see Modifications on page 1-106.	

*or*

Options	
Code	Description
9	(1) N.O. Auxiliary Contact for use on Eutectic Overload Relay
9A	(1) N.C. Auxiliary Contact for use on Eutectic Overload Relay
17	Surge Suppressor for 120 or 240V AC Coil
90	(1) N.O. Auxiliary Contact for use on Contactor*
91	(1) N.C. Auxiliary Contact for use on Contactor*

\* Up to (6) combinations of auxiliary contacts can be selected. Example: Code 90011 indicates (2) N.O. and (2) N.C. contacts.

**Heater Elements** — Starters with eutectic alloy overload relays require 3 heater elements. See page 1-167 for heater element selection tables.

**Note:** All enclosed non-combination starters are supplied with external reset as standard, except for starters with E3 overload relay.

www.ab.com/catalogs Preferred availability cat. nos. are **bold**.

Publication A117-CA001A-EN-P

# NEMA Specifications

## NEMA Non-Combination and Combination Contactors/Starters

### Electrical Ratings

NEMA Size	Load Voltage [V]	Continuous Current Rating [A]	Service Limit Current Rating [A]*	Maximum Hp Rating (Non-plugging and non-jogging duty)		Maximum Hp Rating (Plugging and jogging duty)*		Transformer Primary Switching kVa Rating (Inrush Current ≤ 20 times Continuous Current)		Transformer Primary Switching kVa Rating (Inrush Current = 20 to 40 times Continuous Current)		Capacitor Switching kVAR‡	Maximum Circuit Closing Inrush Current [A] Peak Including Offset
				1Ø	3Ø	1Ø	3Ø	1Ø	3Ø	1Ø	3Ø		
				1Ø	3Ø	1Ø	3Ø	1Ø	3Ø	1Ø	3Ø		
00	115	9	11	1/3	—	1/4	—	—	—	—	—	—	87
	200			—	1-1/2	—	1	—	—	—	—	—	
	230			1	1-1/2	1/2	1	—	—	—	—	—	
	380			—	1-1/2	—	1	—	—	—	—	—	
	460			—	2	—	1-1/2	—	—	—	—	—	
	575			—	2	—	1-1/2	—	—	—	—	—	
0	115	18	21	1	—	1/2	—	0.6	—	0.3	—	—	140
	200			—	3	—	1-1/2	—	1.8	—	0.9	—	
	230			2	3	1	1-1/2	1.2	2.1	0.6	1	—	
	380			—	5	—	1-1/2	—	—	—	—	—	
	460			—	5	—	2	2.4	4.2	1.2	2.1	—	
	575			—	5	—	2	3	5.2	1.5	2.6	—	
1	115	27	32	2	—	1	—	1.2	—	0.6	—	—	288
	200			—	7-1/2	—	3	—	3.6	—	1.8	—	
	230			3	7-1/2	2	3	2.4	4.3	1.2	2.1	6	
	380			—	10	—	5	—	—	—	—	—	
	460			—	10	—	5	4.9	8.5	2.5	4.3	13.5	
	575			—	10	—	5	6.2	11	3.1	5.3	17	
1P	115	36	42	3	—	1-1/2	—	—	—	—	—	—	—
	230			5	—	3	—	—	—	—	—	—	—
2	115	45	52	3	—	2	—	2.1	—	1	—	—	483
	200			—	10	—	7-1/2	—	6.3	—	3.1	—	
	230			7-1/2	15	5	10	4.1	7.2	2.1	3.6	12	
	380			—	25	—	15	—	—	—	—	—	
	460			—	25	—	15	8.3	14	4.2	7.2	25	
	575			—	25	—	15	10	18	5.2	8.9	31	
3	115	90	104	7-1/2	—	7-1/2	—	4.1	—	2	—	—	947
	200			—	25	—	15	—	12	—	6.1	—	
	230			15	30	15	20	8.1	14	4.1	7.0	27	
	380			—	50	—	30	—	—	—	—	—	
	460			—	50	—	30	16	28	8.1	14	53	
	575			—	50	—	30	20	35	10	18	67	
4	115	135	156	—	—	—	—	6.8	—	3.4	—	—	1581
	200			—	40	—	25	—	20	—	10	—	
	230			—	50	—	30	14	23	6.8	12	40	
	380			—	75	—	50	—	—	—	—	—	
	460			—	100	—	60	27	47	14	23	80	
	575			—	100	—	60	34	59	17	29	100	
5	115	270	311	—	—	—	—	14	—	6.8	—	—	3163
	200			—	75	—	60	—	41	—	20	—	
	230			—	100	—	75	27	47	14	24	80	
	380			—	150	—	125	—	—	—	—	—	
	460			—	200	—	150	54	94	27	47	160	
	575			—	200	—	150	68	117	34	59	200	
6	115	540	621	—	—	—	—	27	—	14	—	—	6326
	200			—	150	—	125	—	81	—	41	—	
	230			—	200	—	150	54	94	27	47	160	
	380			—	300	—	250	—	—	—	—	—	
	460			—	400	—	300	108	188	54	94	320	
	575			—	400	—	300	135	234	68	117	400	
7	230	810	932	—	300	—	—	—	—	—	—	240	9470
	460			—	600	—	—	—	—	—	—	480	
	575			—	600	—	—	—	—	—	—	600	
8	230	1215	1400	—	450	—	—	—	—	—	—	360	14205
	460			—	900	—	—	—	—	—	—	720	
	575			—	900	—	—	—	—	—	—	900	
9	230	2250	2590	—	800	—	—	—	—	—	—	665	25380
	460			—	1600	—	—	—	—	—	—	1325	
	575			—	1600	—	—	—	—	—	—	1670	

\* **Service-Limit Current Ratings** — The service-limit current ratings shown represent the maximum rms current, in amperes, which the controller shall be permitted to carry for protracted periods in normal service. At service-limit current ratings, temperature rises shall be permitted to exceed those obtained by testing the controller at its continuous current rating. The current rating of overload relays or the trip current of other motor protective devices used shall not exceed the service-limit current rating of the controller.

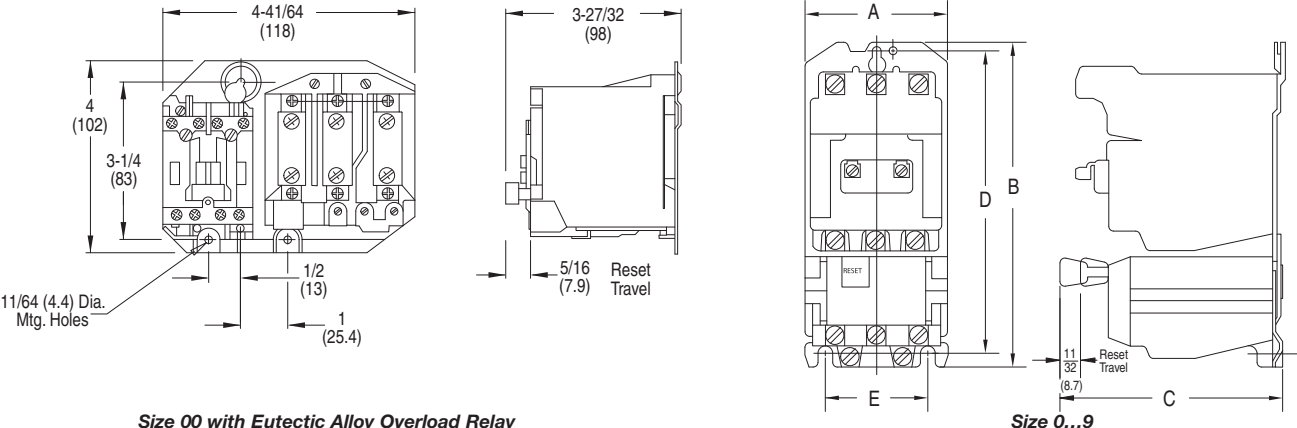
\* **Plugging or Jogging Service** — The listed horsepower ratings are recommended for those applications requiring repeated interruption of stalled motor current encountered in rapid motor reversal in excess of five openings or closings per minute and shall not be more than ten in a ten minute period.

‡ If maximum available current (at capacitor terminals) is greater than 3000 A, please contact your local Rockwell Automation sales office, Allen-Bradley distributor, or NEMA ICS-2 Standard.



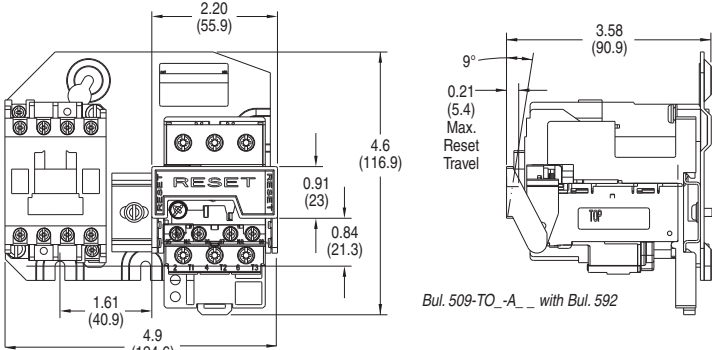
Approximate dimensions are shown in inches (millimeters). Dimensions are not intended to be used for manufacturing purposes.

**Open Type without Enclosure for Bulletin 509 Full Voltage Starters with Eutectic Alloy and Solid-State Overload Relay**



**Size 00 with Eutectic Alloy Overload Relay**

**Size 0...9**



**Size 00 with Solid-State Overload Relay**

NEMA Size	Dimensions in Inches (Millimeters)					Approx. Shipping Weight [lb (kg)]
	A Width	B Height	C Relay Reset Depth	D	E	
00	*	*	*	*	*	0.9 (0.4)
0...1	3-9/16 (90.5)	7-5/8 (194)	4-1/2 (114)	7-3/32 (180)	2-3/4 (70)	4-1/4 (1.9)
2	3-15/16 (100)	9-5/32 (233)	4-1/2 (114)	8-21/32 (220)	3-5/32 (80)	5-3/4 (2.6)
3	6-11/64 (157)	12-29/64 (316)	6-1/16 (154)	8-21/32 (220)	5-33/64 (140)	15 (6.8)
4	7 (178)	14-21/32 (372)	7-13/16 (198)	9-27/32 (250)	6-5/16 (160)	23-1/5 (10.6)
5	7-3/8 (187)	16-7/6 (429)	8-17/32 (217)	14-32/32 (380)	6-5/16 (160)	35 (15.9)
6	13-1/4 (337)	25-3/32 (637)	11-7/16 (291)	17-23/32 (450)	11-13/16 (300)	160 (72)
7	16-1/2 (419)	30-27/32 (783)	12-9/32 (312)	18-5/16 (465)	15 (381)	247 (112)
8	21-1/2 (546)	39-1/2 (1003)	15-19/32 (396)	22-5/8 (575)	20 (508)	370 (168)
9	34 (864)	53-11/16 (1364)	28 (711)	—	—	—

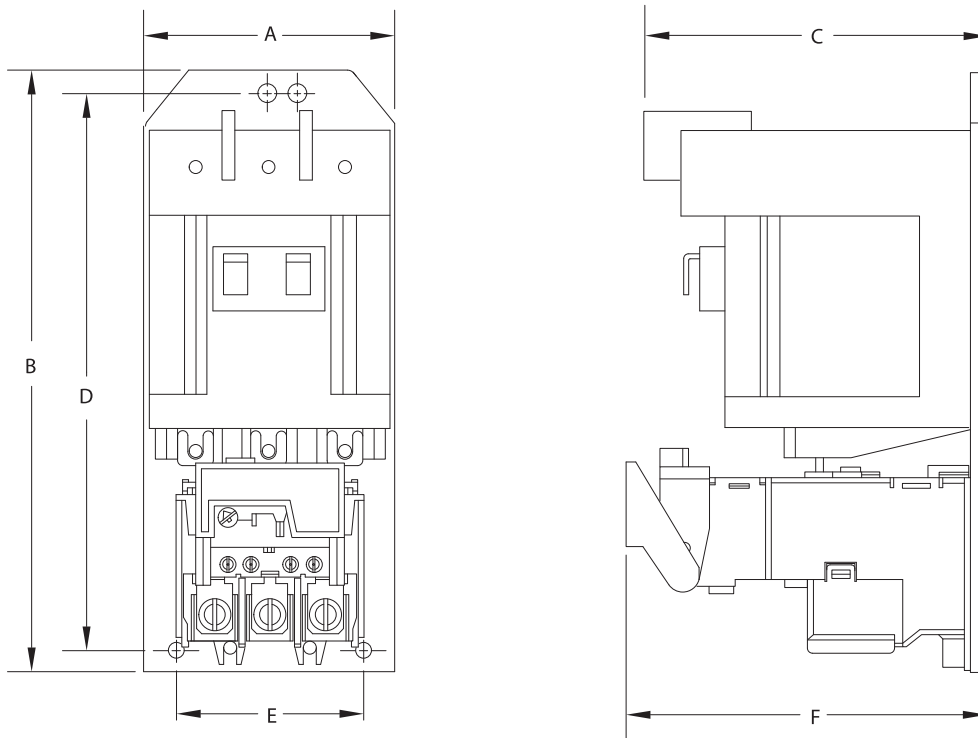
\* See drawing for dimensions.

Bulletin 500 Line  
**Approximate Dimensions**  
 NEMA Starters

Approximate dimensions are shown in inches (millimeters). Dimensions are not intended to be used for manufacturing purposes.

Open Type without Enclosure for Bulletin 509 Full Voltage Starters with Solid-State Overload Relay

1



NEMA Size	Overload Relay	Dimensions in Inches (Millimeters)						Approx. Shipping Weight [lb (kg)]
		A Width	B Height	C Depth	D	E	F Relay Reset Depth	
0...1	Solid-State E1 Plus	3-9/16 (91)	7-5/8 (193)	4-15/32 (113)	7-1/16 (180)	2-3/4 (70)	4-1/2 (114)	4.3 (1.9)
	Solid-State E3 Plus	3-9/16 (91)	9-25/32 (248)	4-15/32 (113)	9-1/4 (235)	2-3/4 (70)	4-5/8 (118)	
2	Solid-State E1 Plus	3-15/16 (100)	9-5/32 (233)	4-11/16 (119)	8-5/8 (219)	3-5/32 (80)	4-1/2 (114)	6.0 (2.7)
	Solid-State E3 Plus	3-15/16 (100)	10-25/32 (274)	4-23/32 (120)	10-1/4 (260)	3-5/32 (80)	4-5/8 (118)	
3	Solid-State E1 Plus	6-1/8 (156)	12-7/16 (316)	6-19/32 (168)	8-21/32 (220)	5-1/2 (140)	6-1/16 (154)	16.0 (7.3)
	Solid-State E3 Plus	6-1/8 (156)	14-9/16 (370)	6-19/32 (168)	8-21/32 (220)	5-1/2 (140)	5-61/64 (151)	
4	Solid-State E1 Plus	6-1/2 (165)	16-1/2 (419)	7-13/16 (198)	14-31/32 (380)	6-5/16 (160)	7-27/32 (199)	24.6 (11.2)
	Solid-State E3 Plus	6-1/2 (165)	16-1/2 (419)	7-13/16 (198)	14-31/32 (380)	6-5/16 (160)	8-29/64 (215)	
5	Solid-State E1 Plus	6-1/2 (165)	16-29/32 (429)	8-11/32 (212)	14-31/32 (380)	6-5/16 (160)	7-5/8 (194)	33.9 (15.4)
	Solid-State E3 Plus	6-1/2 (165)	16-29/32 (429)	8-11/32 (212)	14-31/32 (380)	6-5/16 (160)	8-11/64 (208)	
6	Solid-State E1 Plus	13-1/4 (337)	25-3/32 (637)	11-13/32 (289)	17-23/32 (450)	11-13/16 (300)	9-25/32 (248)	116 (52.6)
	Solid-State E3 Plus	13-1/4 (337)	25-3/32 (637)	11-13/32 (289)	17-23/32 (450)	11-13/16 (300)	9-5/8 (244)	

Note: For Bulletin 509 Size 00, please contact your local Rockwell Automation sales office or Allen-Bradley distributor.

