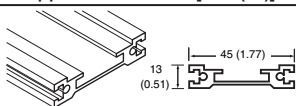
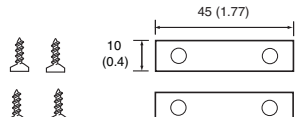
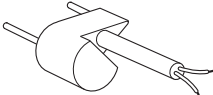

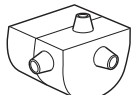
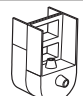
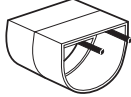
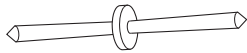





Presence Sensing Safety Devices
Safedge™ Profiles

Code	Approx. Dimension [mm (in.)]	Description	Cat. No.
J		Aluminium; Suitable for Rubber Boot Only. Length: 2 m (6.5 ft) Weight: 667 g/m (0.448 lbs/ft)	440F-R2151
NA		Aluminium End Plate for C-Rail Option J; 2 Plates; 4 Screws, flat head Philips, 10mm, #6 Weight: 7g (0.01 lbs)	440F-R2152

Product Selection—Component Parts

Description	Product Selection Criteria	Cat. No.
 Connector and Cable (diameter = 5 mm (0.20 in.))	1 m (3.2 ft)	440F-A1301
	2 m (6.56 ft)	440F-A1302
	5 m (16.4 ft)	440F-A1305
	10 m (32.8 ft)	440F-A1306
	15 m (49.2 ft)	440F-A1307
 Terminator	6 kΩ (yellow) resistor for series termination	440F-A1308
	15 kΩ (blue) for parallel termination	440F-A1309
 Closing Cap for profile codes (A, B, C, D, J)	Closing Cap material: EPDM	440F-A1302S
	Closing Cap material: NRB	440F-A1302N
 Closing Cap for profile codes (E, F, G, H, K)	Used to close profiles 440F-E0310S and 440F-E1610S.	440F-A1303S
	Used to close profile 440F-E1610N.	440F-A1303N
 Axial Connector	With this connector you can directly connect two profiles. Suitable for 440F-E0110S profiles.	440F-A0061S
	With this connector you can directly connect two profiles. Suitable for 440F-E0110R profiles.	440F-A0061N
 Straight Pin Connector	Kit contains one pair of pins suitable for one joint.	440F-A0004
 90° Corner Connector	For use with profile 440F-E0110S	440F-A0071S
	For use with profile 440F-E0110R	440F-A0071S
	For use with profile 440F-E0110N	440F-A0071N
	For use with profile 440F-E0310S	440F-A0073S
	For use with profile 440F-E1610S	440F-A0074S
	For use with profile 440F-E1610N	440F-A0074N
 90° Corner Connector (vertical)	For use with profile 440F-E0110N	440F-A0072N
	For use with profile 440F-E0110S or 440F-E0110R	440F-A0072S
	For use with profile 440F-E1610N	440F-A0075N
	For use with profile 440F-E1610S	440F-A0075S
 45° Corner Connector	For use with profile 440F-E0310S	440F-A0076S
	For use with profile 440F-E0110N	440F-A0071N45 *

* Includes two rubber strips (440F-A0005) when using profile 440F-E0110N.