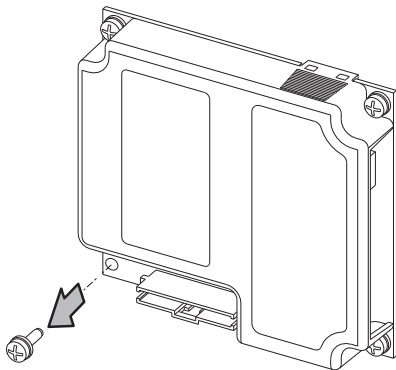


20-750-20COMM and 20-750-20COMM-F1 Communication Carrier Cards

(Enables a legacy 20-COMM-* adapter to be used with PowerFlex 750-Series Drives)

Step 1

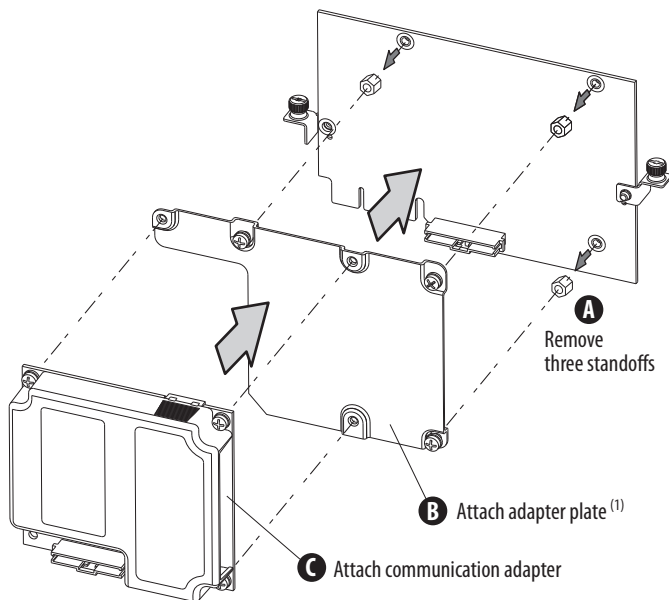


Legacy 20-COMM-* Adapter

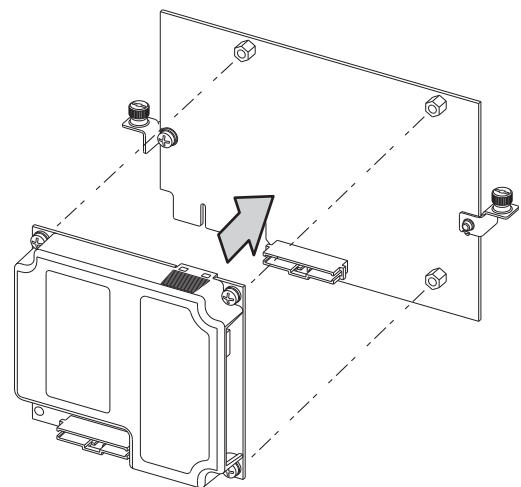
For compatibility with PowerFlex 750-Series drives, see the 20-COMM-* Network Adapter Compatibility with 750-Series Drives table in the PowerFlex 750-Series AC Drive Installation Instructions, publication 750-IN001.

Step 2

20-750-20COMM-F1 Card
(for Frame 1 only
PowerFlex 750-Series Drives)



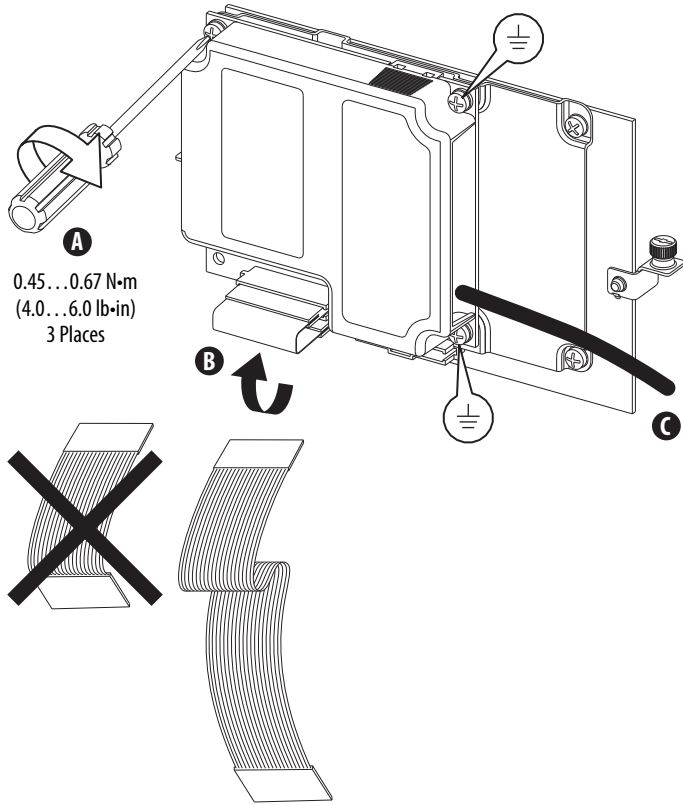
20-750-20COMM Card
(for Frames 2 and higher
PowerFlex 750-Series Drives)



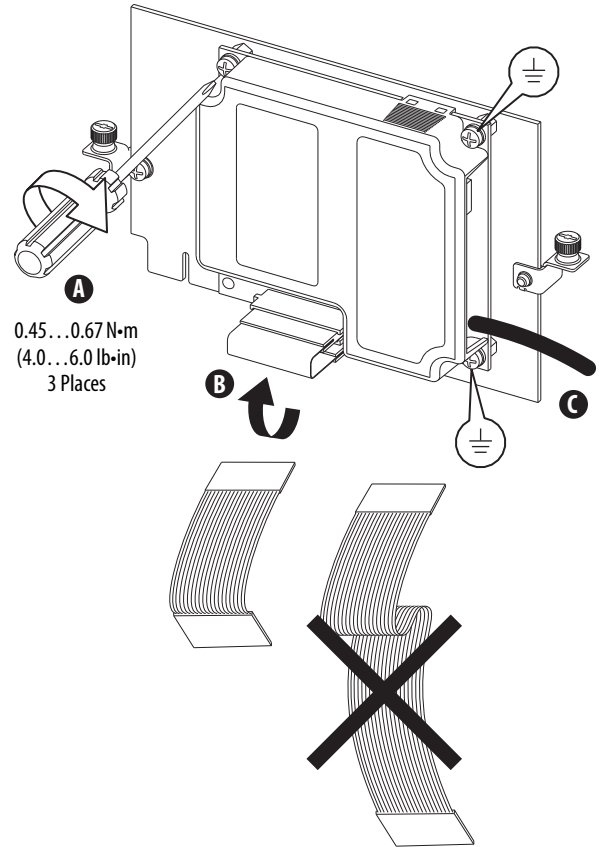
⁽¹⁾ The adapter plate (SK-R1-COMMPLT1-F1) is included with the 20-750-20COMM-F1 card. However, the adapter plate may be ordered separately and added to the 20-750-20COMM card to create a 20-750-20COMM-F1 card.

Step 3

20-750-20COMM-F1 Card (for Frame 1 only PowerFlex 750-Series Drives)

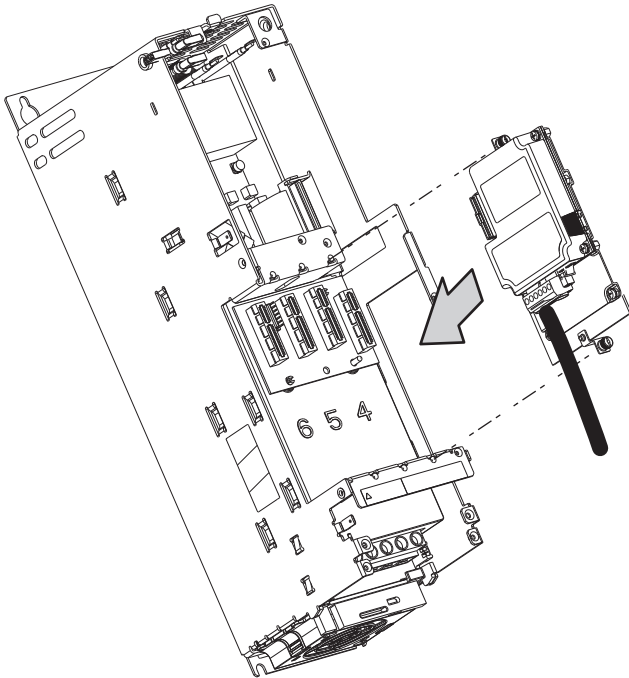


20-750-20COMM Card (for Frames 2 and higher PowerFlex 750-Series Drives)



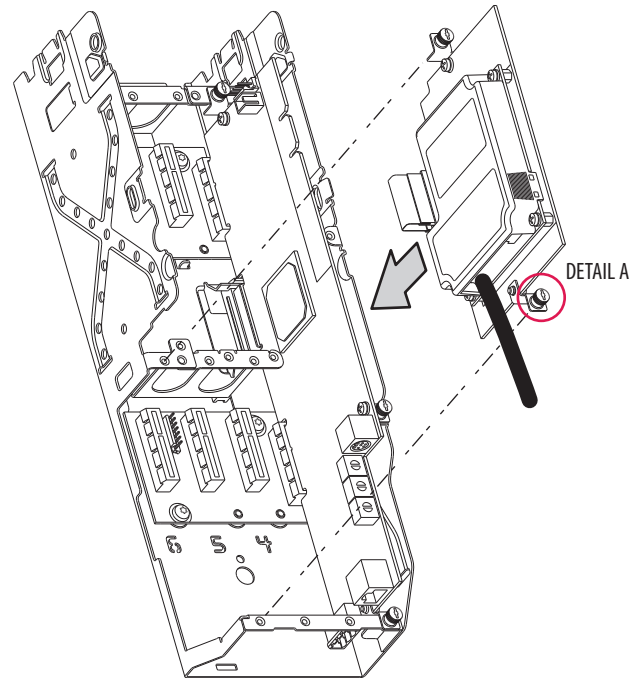
Step 4

20-750-20COMM-F1 Card (for Frame 1 only PowerFlex 750-Series Drives)



NOTE: Only install the 20-750-20COMM-F1 Communication Carrier Card in Port 4. **Do not** install it in Port 5 or Port 6. Installing it into Port 4 will make the adjacent left Port 5 inaccessible to other option modules, and may interfere with network cable connections. For more details, contact Allen-Bradley Drives Technical Support.

20-750-20COMM Card (for Frames 2 and higher PowerFlex 750-Series Drives)



NOTE: Port 6 is recommended. Installing the 20-750-20COMM Communication Carrier Card into Port 4 or Port 5 will make the adjacent left port inaccessible to other option modules, and may interfere with network cable connections. For more details, contact Allen-Bradley Drives Technical Support.

Important: If a PowerFlex 20-750-PBUS Profibus option module resides in the adjacent port to the right of the port in which the Communication Carrier Card is being installed, the lower mounting screw of the Communication Carrier Card (shown in DETAIL A above) may electrically contact the metal Profibus cable connector attached to the Profibus option module. This may cause faulty operation. To prevent this, perform steps 4-A through 4-C below. If a PowerFlex 20-750-PBUS Profibus option module is not in that port, disregard these steps and proceed to step 5.

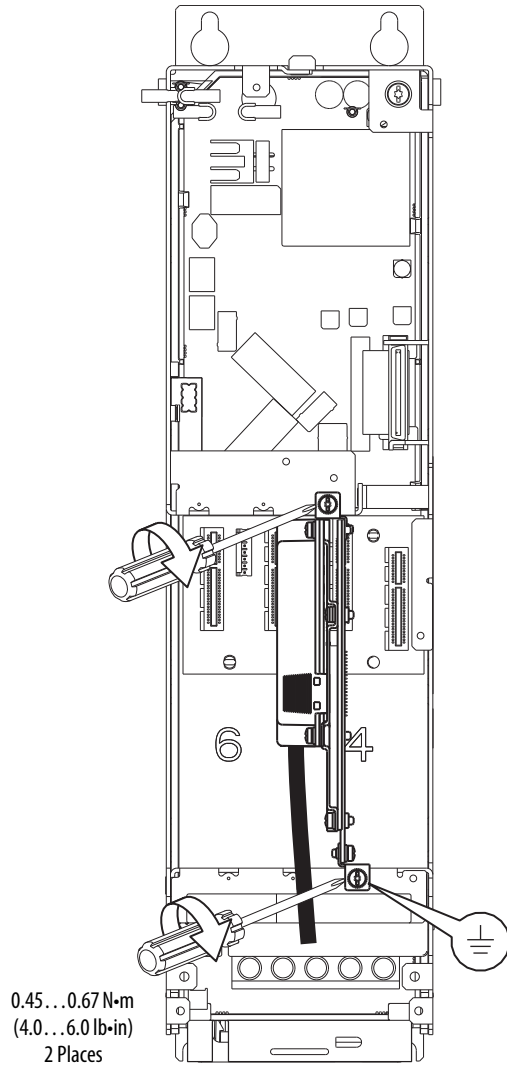
- A. Remove the lower mounting screw, a T15 Torx head screw shown in DETAIL A above, from the Communication Carrier Card.

TIP To remove the captive T15 Torx head screw, the Communication Carrier Card must be removed to back the screw out of the mounting clip.

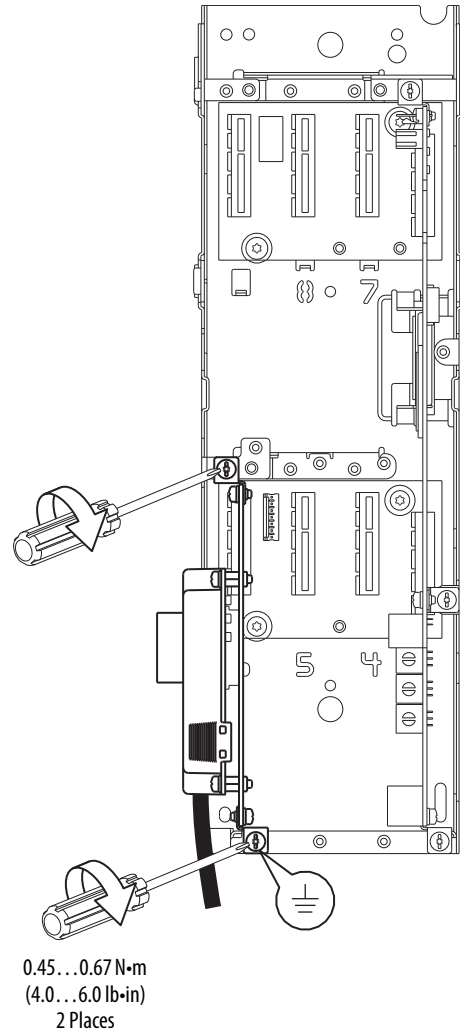
- B. Replace the larger T15 Torx head screw with the smaller T8 Torx head mounting screw that was shipped as a spare with the PowerFlex 20-750-PBUS Profibus option module.
- C. Proceed to step 5.

Step 5

**20-750-20COMM-F1 Card
(for Frame 1 only
PowerFlex 750-Series Drives)**



**20-750-20COMM Card
(for Frames 2 and higher
PowerFlex 750-Series Drives)**



U.S. Allen-Bradley Drives Technical Support - Tel: (1) 262.512.8176, Fax: (1) 262.512.2222, E-mail: support@drives.ra.rockwell.com
Online: www.ab.com/support/abdrives

Allen-Bradley, Rockwell Software, Rockwell Automation, and TechConnect are trademarks of Rockwell Automation, Inc.
Trademarks not belonging to Rockwell Automation are property of their respective companies.

www.rockwellautomation.com

Power, Control and Information Solutions Headquarters

Americas: Rockwell Automation, 1201 South Second Street, Milwaukee, WI 53204-2496 USA, Tel: (1) 414.382.2000, Fax: (1) 414.382.4444
Europe/Middle East/Africa: Rockwell Automation NV, Pegasus Park, De Kleetlaan 12a, 1831 Diegem, Belgium, Tel: (32) 2 663 0600, Fax: (32) 2 663 0640
Asia Pacific: Rockwell Automation, Level 14, Core F, Cyberport 3, 100 Cyberport Road, Hong Kong, Tel: (852) 2887 4788, Fax: (852) 2508 1846

Publication 750COM-IN001E-EN-P - September 2012
Supersedes Publication 750COM-UM001D-EN-P - February 2012

PN-169297
Copyright © 2012 Rockwell Automation, Inc. All rights reserved. Printed in the U.S.A.