



# ControlLogix System

Bulletin 1756



***Allen-Bradley***

by ROCKWELL AUTOMATION

Selection Guide

Original Instructions

## What's Inside

Topic	Page
Select a ControlLogix System	5
ControlLogix System Overview	6
ControlLogix I/O Modules	9
AC Digital Input Modules	9
AC Digital Output Modules	9
DC Digital Input Modules	10
DC Digital Output Modules	10
DC Digital Safety Modules	11
Contact Output Modules	11
Analog Input Modules	11
Analog RTD and Thermocouple Modules	12
Analog Output Modules	12
Analog Combination Input and Output Module	13
Specialty I/O Modules	13
Accessories—I/O Modules	14
ControlLogix Compute Modules	15
HART Smart Instrumentation	16
ControlLogix Communication Modules	17
EtherNet/IP Communication Modules	24
ControlNet Communication Modules	24
DeviceNet Communication Module	24
Data Highway Plus and Remote I/O Communication Modules	24
FOUNDATION Fieldbus Linking Devices	24
Other Connectivity Options	24
Modbus Support	24
ControlLogix Integrated Motion	22
ControlLogix Controllers	23
ControlLogix 5580 and ControlLogix 5570 Redundant Controllers	24
ControlLogix 5580 and ControlLogix 5570 ControlLogix-XT Controllers	24
ControlLogix 5580 Process Controllers	24
ControlLogix 5580 No Stored Energy (NSE) Controllers	24
GuardLogix Controllers	25
Armor ControlLogix and Armor GuardLogix Controllers	26
Accessories—Controllers	26
ControlLogix Chassis	28
ControlLogix Power Supplies	29

## What's New?

The new products include the following.

Topic	Page
Added ControlLogix-XT™ 5580 Controllers information.	23, 24
Added ControlLogix 5580 Process Controllers information.	23, 24
Added ControlLogix 5580 No Stored Energy (NSE) Controllers information.	23, 24
Added ControlLogix® 5580 Redundant controllers information.	23, 24

## Logix Controllers Comparison

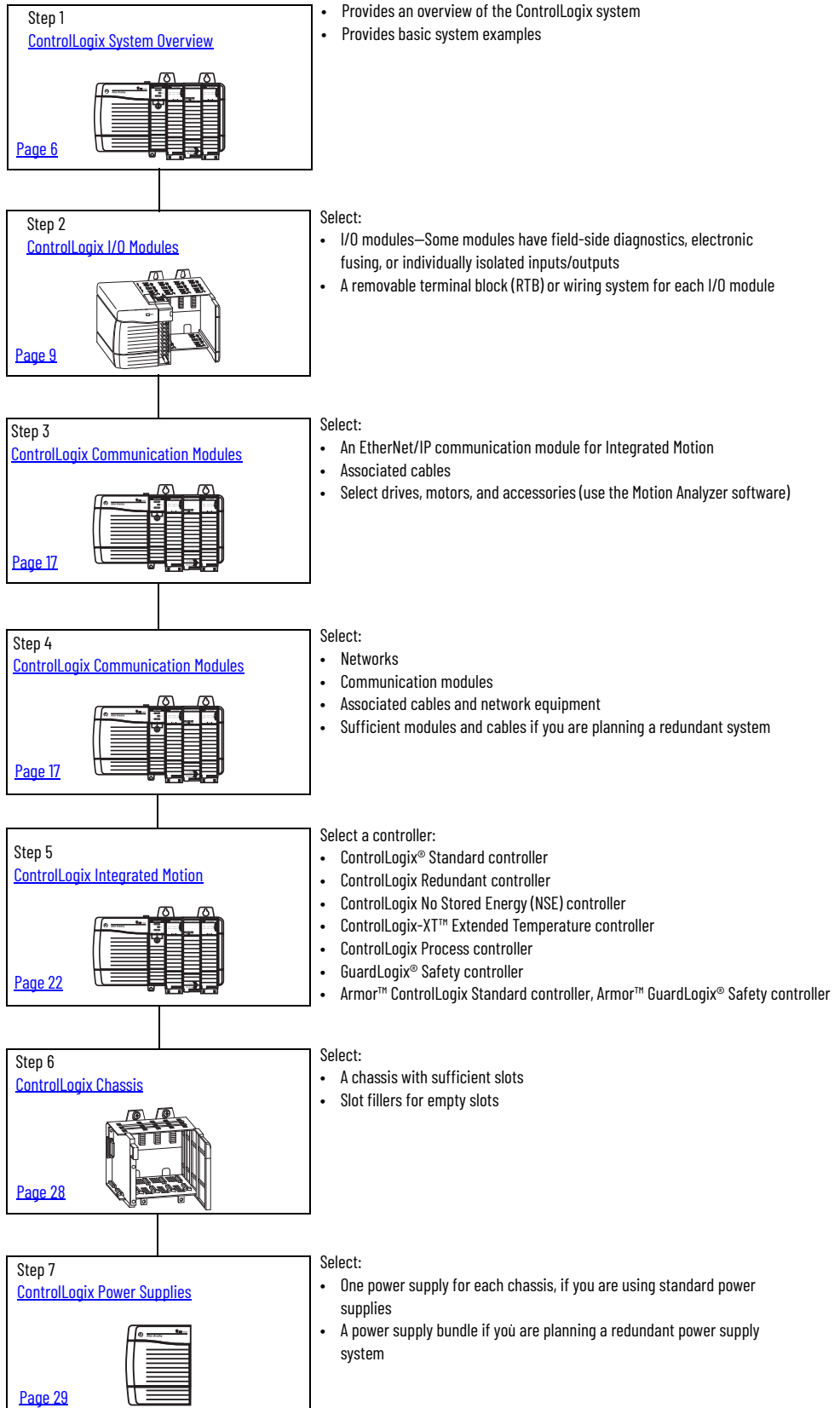
Characteristic	ControlLogix 5580 Controllers GuardLogix® 5580 Controllers	ControlLogix 5570 Controllers GuardLogix 5570 Controllers	Armor™ ControlLogix 5570 Controllers Armor™ GuardLogix® 5570 Controllers
Application Options	Standard Safety Extended temperature Conformal coating		IP67 Ingress Protection Standard Safety
Event tasks	Consumed tag, EVENT instruction triggers, Module Input Data changes, and motion events		
User memory	Standard: 3 MB...40 MB Safety: 1.5 MB...6 MB	Standard: 2 MB...32 MB Safety: 1 MB...4 MB	
Built-in ports	<ul style="list-style-type: none"> <li>1 port EtherNet/IP 10 Mbps/100 Mbps/1 Gbps</li> <li>1 port USB client</li> </ul>	1 port USB Client	<ul style="list-style-type: none"> <li>Dual-port EtherNet/IP</li> <li>1 port USB client</li> </ul>
Communication options	<ul style="list-style-type: none"> <li>EtherNet/IP</li> <li>ControlNet™</li> <li>DeviceNet™</li> <li>Data Highway Plus™</li> <li>Remote I/O</li> <li>SynchLink™</li> </ul>		
Controller connections	Not applicable	500 connections	
Network nodes	100...300	Not applicable	
Controller redundancy	With Studio 5000 Logix Designer® application, version 33 or later	ControlLogix 5570 only	Not supported

Characteristic	CompactLogix™ 5380 Controllers Compact GuardLogix 5380 Controllers	CompactLogix 5370 L3 Controllers Compact GuardLogix 5370 L3 Controllers	Armor CompactLogix 5370 L3 Controllers Armor Compact GuardLogix 5370 Controllers
Application Options	Standard Safety Conformal coating		IP67 Ingress Protection Standard Safety
Event tasks	Consumed tag, EVENT instruction triggers, Module Input Data changes, and motion events	Consumed tag, EVENT instruction triggers, and motion events	
User memory	Standard: 0.6 MB...10 MB Safety: 0.3 MB...5 MB	Standard: 1 MB...5 MB Safety: 0.5 MB...1.5 MB	
Built-in ports	<ul style="list-style-type: none"> <li>2 port EtherNet/IP 10 Mbps/100 Mbps/1 Gbps</li> <li>1 port USB client</li> </ul>	<ul style="list-style-type: none"> <li>Dual-port EtherNet/IP</li> <li>1 port USB Client</li> </ul>	
Communication options	EtherNet/IP	EtherNet/IP DeviceNet	
Controller connections	Not applicable	256 connections	
Network nodes	16...180	16...80	
Controller Redundancy	Not Supported	Back up via DeviceNet	Not Supported

Characteristic	CompactLogix 5370 L2 Controllers	CompactLogix 5370 L1 Controllers
Application Options	Standard Conformal coating	Standard
Event tasks	Consumed tag, EVENT instruction triggers, and motion events	Consumed tag, EVENT instruction triggers, and motion events
User memory	750 KB or 1 MB	384 KB, 512 KB, or 1 MB
Built-in ports	<ul style="list-style-type: none"> <li>Dual-port EtherNet/IP</li> <li>1 port USB Client</li> </ul>	
Communication options	<ul style="list-style-type: none"> <li>EtherNet/IP</li> <li>DeviceNet</li> </ul>	
Controller connections	256 connections	
Network nodes	Not Supported	
Controller Redundancy	Back up via DeviceNet	None

**Notes:**

## Select a ControlLogix System



# ControlLogix System Overview

The ControlLogix system provides discrete, drives, motion, process, and safety control together with communication and state-of-the-art I/O in a small, cost-competitive package. The system is modular, so you can design, build, and modify it efficiently with significant savings in training and engineering.

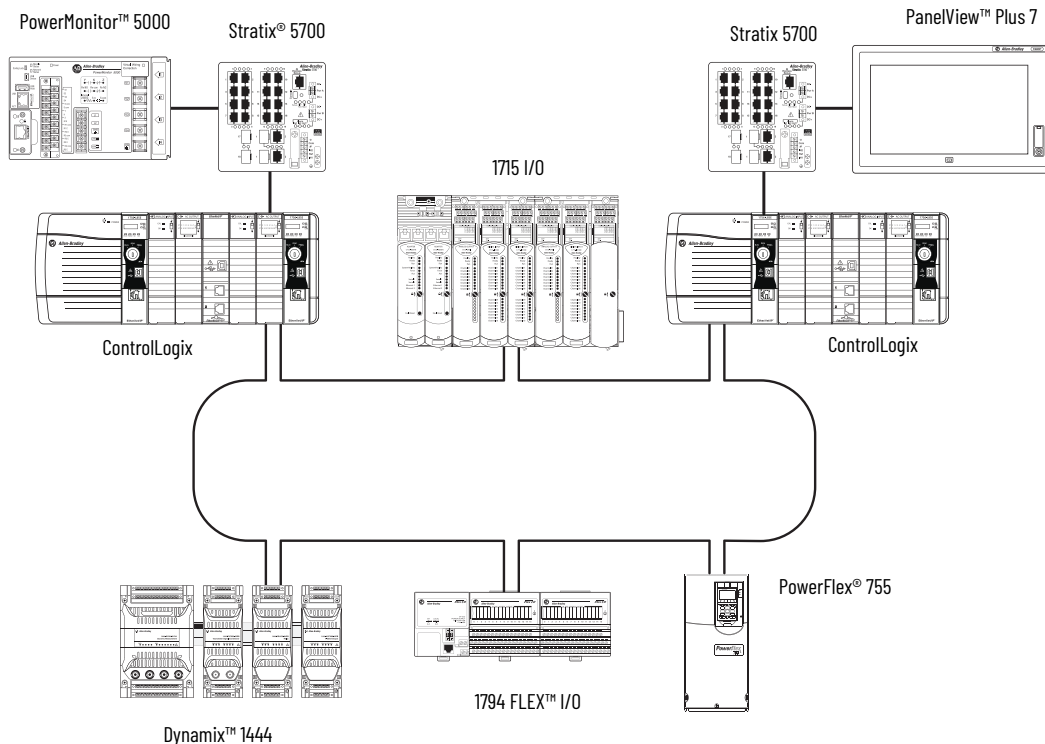
A simple ControlLogix system consists of a standalone controller and I/O modules in one chassis. For a more comprehensive system, use the following:

- Multiple controllers in one chassis
- Multiple controllers joined across networks
- I/O in multiple platforms that are distributed in many locations and connected over multiple I/O links
- Select ControlLogix products are available with a conformal coating that adds a layer of protection when exposed to harsh, corrosive environments. Products with a conformal coating have a 'K' suffix at the end of the catalog number.

The ControlLogix controller is part of the Logix 5000™ family of controllers.

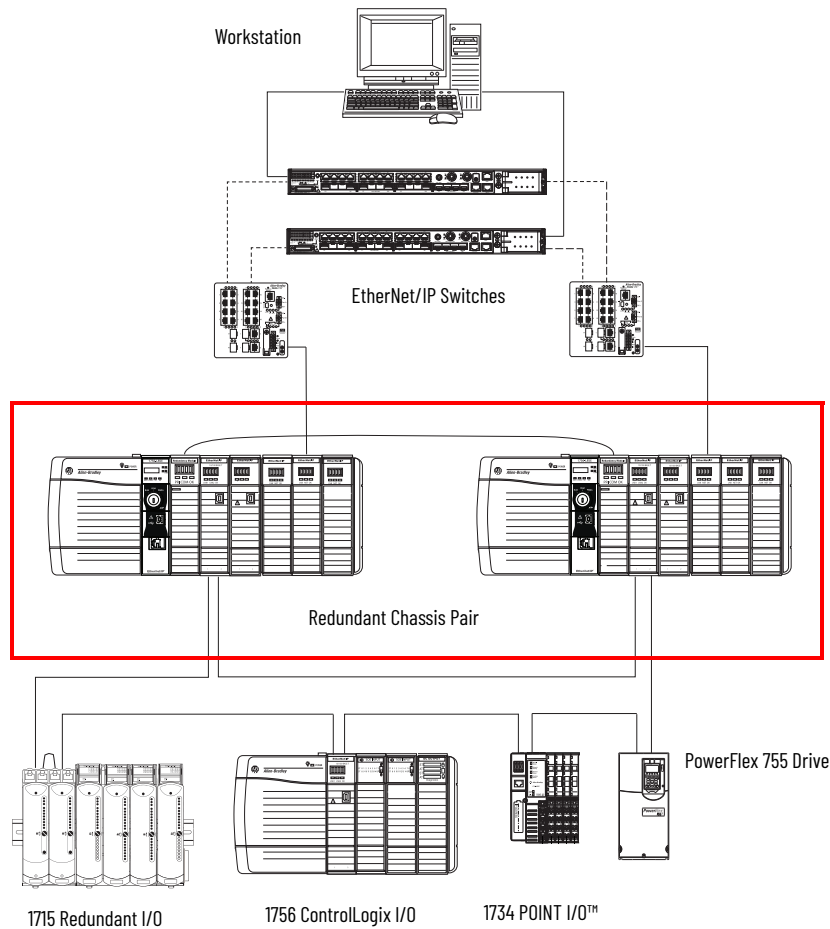
- ControlLogix controllers can monitor and control I/O across the ControlLogix backplane, and over I/O links. ControlLogix controllers can communicate over EtherNet/IP, ControlNet, DeviceNet, DH+™, Remote I/O, and RS-232-C (DF1/DH-485 protocol) networks and many third-party process and device networks.
- The controller can be placed into any slot of a ControlLogix chassis and multiple controllers can be installed in the same chassis. Multiple controllers in the same chassis communicate with each other over the backplane (just as controllers can communicate over networks) but operate independently.
- To provide communication for a ControlLogix 5570 controller, install the appropriate communication interface module into the chassis. ControlLogix 5580 controllers have a built-in EtherNet/IP port.

## Example Configuration—ControlLogix System



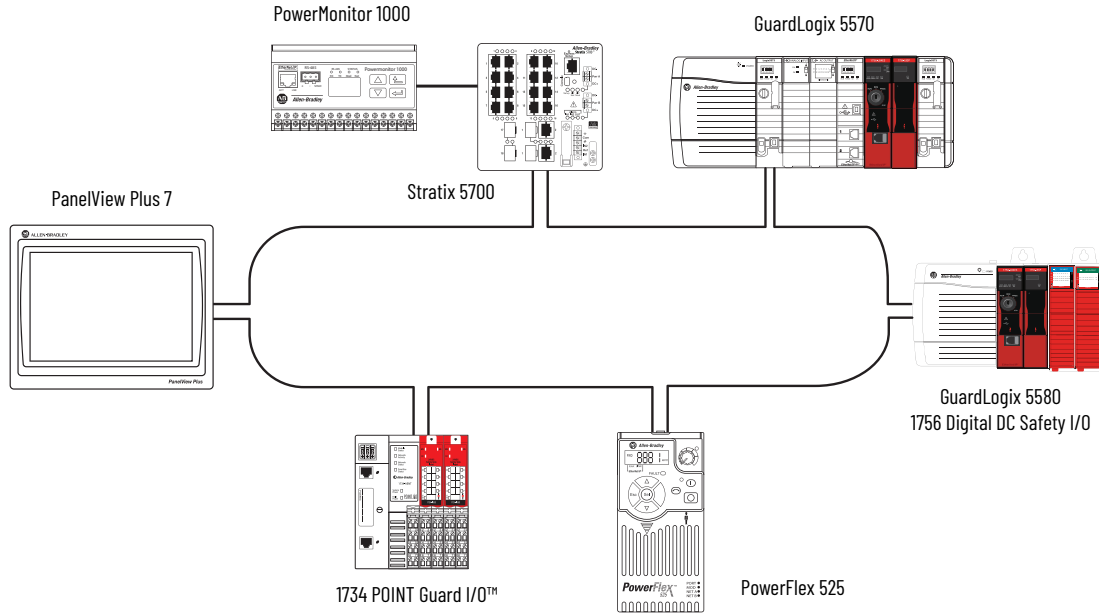
## Example Configuration—Redundant ControlLogix System

The ControlLogix 5570 and ControlLogix 5580 controller supports controller redundancy. For more information about ControlLogix 5580 high availability solutions for control, I/O, and other aspects of a system refer to the High Availability System Reference Manual, publication [HIGHAV-RM002](#).



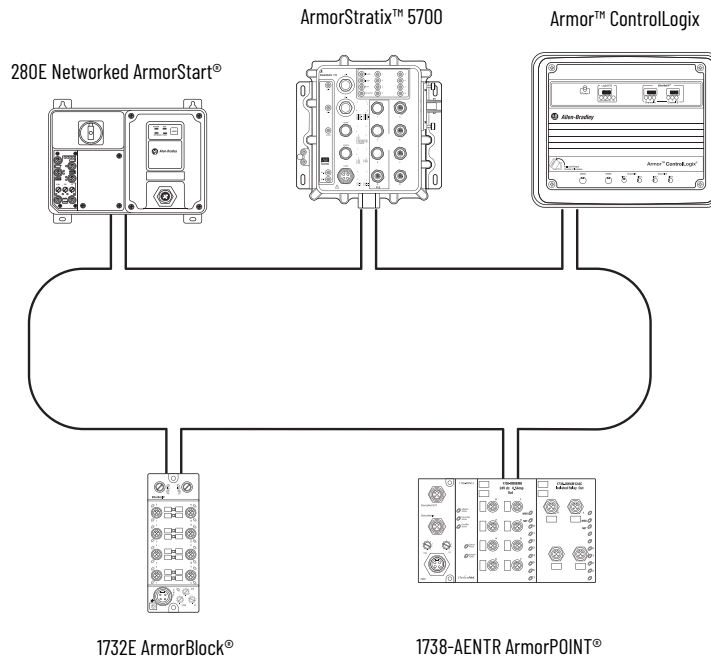


## Example Configuration—GuardLogix Safety System



## Armor ControlLogix and Armor GuardLogix Systems

On-Machine™ standard and safety controllers support the same temperature range of ControlLogix, while offering global certifications and ratings, and Ingress Protection (IP67) for dust and wash-down protection for immersion between 15 cm...1 m (5.91...393.70 in.) in harsher environments.





# ControlLogix I/O Modules

The ControlLogix architecture provides a wide range of input and output modules to span many applications, from high-speed digital to process control. The ControlLogix architecture uses a Producer/Consumer model so that input information and output status can be shared among multiple controllers.

Each ControlLogix I/O module mounts in a ControlLogix chassis and **requires** a removable terminal block (RTB) or a 1492 interface module (IFM) to connect all field-side wiring. RTBs and IFMs are not included with the I/O modules. They must be ordered separately.

For detailed specifications, see 1756 ControlLogix I/O Modules Specifications Technical Data, publication [1756-TD002](#).

## AC Digital Input Modules

Cat. No.	Inputs/Outputs	Voltage Category	Operating Voltage Range	Removable Terminal Block
1756-IA8D	8 diagnostic inputs (4 points/group)	120V AC	79...132V AC	1756-TBNH 1756-TBSH
1756-IA16	16 inputs (8 points/group)	120V AC	74...132V AC	1756-TBNH 1756-TBSH
1756-IA16I	16 individually isolated inputs	120V AC	74...132V AC	1756-TBCH 1756-TBS6H
1756-IA32	32 inputs (16 points/group)	120V AC	74...132V AC	1756-TBCH 1756-TBS6H
1756-IM16I	16 individually isolated inputs	240V AC	159...265V AC	1756-TBCH 1756-TBS6H
1756-IN16	16 inputs (8 points/group)	24V AC	10...30V AC	1756-TBNH 1756-TBSH

## AC Digital Output Modules

Cat. No.	Inputs/Outputs	Voltage Category	Operating Voltage Range	Removable Terminal Block
1756-OA8	8 outputs (4 points/group)	120/240V AC	79...265V AC	1756-TBNH 1756-TBSH
1756-OA8D	8 diagnostic, electronically fused outputs (4 points/group)	120V AC	74...132V AC	1756-TBNH 1756-TBSH
1756-OA8E	8 electronically fused outputs (4 points/group)	120V AC	74...132V AC	1756-TBNH 1756-TBSH
1756-OA16	16 mechanically fused/group outputs (8 points/group)	120/240V AC	74...265V AC	1756-TBNH 1756-TBSH
1756-OA16I	16 individually isolated outputs	120/240V AC	74...265V AC	1756-TBCH 1756-TBS6H
1756-ON8	8 outputs (4 points/group)	24V AC	10...30V AC, current > 50 mA 16...30V AC, current < 50 mA	1756-TBNH 1756-TBSH

## DC Digital Input Modules

Cat. No.	Inputs/Outputs	Voltage Category	Operating Voltage Range	Removable Terminal Block
1756-IB16	16 inputs (8 points/group)	12/24V DC sink	10...31.2V DC	1756-TBNH 1756-TBSH
1756-IB16D	16 diagnostic inputs (4 points/group)	12/24V DC sink	10...30V DC	1756-TBCH 1756-TBS6H
1756-IB16I	16 individually isolated inputs	12/24V DC sink/source	10...30V DC	1756-TBCH 1756-TBS6H
1756-IB16IF	16 high-speed, individually isolated inputs	12/24V DC sink/source	10...30V DC	1756-TBCH 1756-TBS6H
1756-IB16ISOE	16 individually isolated, sequence of events inputs	24/48V DC sink/source	10...55V DC	1756-TBCH 1756-TBS6H
1756-IB32	32 inputs (16 points/group)	12/24V DC sink	10...31.2V DC	1756-TBCH 1756-TBS6H
1756-IC16	16 inputs (8 points/group)	48V DC sink	30...55V DC @ 60 °C (140 °F) 30...60V DC @ 55 °C (131 °F)	1756-TBNH 1756-TBSH
1756-IG16	16 inputs (8 points/group)	5V DC TTL source (Low = True)	4.5...5.5V DC	1756-TBNH 1756-TBSH
1756-IH16I	16 individually isolated inputs	125V DC sink/source	90...146V DC	1756-TBCH 1756-TBS6H
1756-IH16ISOE	16 individually isolated, sequence of events inputs	125V DC sink/source	90...140V DC	1756-TBCH 1756-TBS6H
1756-IV16	16 inputs (8 points/group)	12/24V DC source	10...30V DC	1756-TBNH 1756-TBSH
1756-IV32	32 inputs (16 points/group)	12/24V DC source	10...30V DC	1756-TBCH 1756-TBS6H

## DC Digital Output Modules

Cat. No.	Inputs/Outputs	Voltage Category	Operating Voltage Range	Removable Terminal Block
1756-OB8	8 outputs	12/24V DC source	10...30V DC	1756-TBNH 1756-TBSH
1756-OB8EI	8 electronically fused, individually isolated outputs	12/24V DC source	10...30V DC	1756-TBCH 1756-TBS6H
1756-OB8I	8 individually isolated outputs	12/24V DC source	10...30V DC	1756-TBCH 1756-TBS6H
1756-OB16D	16 diagnostic outputs (8 points/group)	24V DC source	19.2...30V DC	1756-TBCH 1756-TBS6H
1756-OB16E	16 electronically fused outputs (8 points/group)	12/24V DC source	10...31.2V DC	1756-TBNH 1756-TBSH
1756-OB16I	16 individually isolated outputs	12/24V DC sink/source	10...30V DC	1756-TBCH 1756-TBS6H
1756-OB16IEF	16 high-speed, individually isolated, electronically-fused outputs	24V DC sink/source	10...30V DC	1756-TBCH 1756-TBS6H
1756-OB16IEFS	16 scheduled, high-speed, individually isolated, electronically-fused outputs	24V DC sink/source	10...30V DC	1756-TBCH 1756-TBS6H
1756-OB16IS	16 individually isolated outputs 8 scheduled outputs	12/24V DC sink/source	10...30V DC	1756-TBCH 1756-TBS6H
1756-OB32	32 outputs (16 points/group)	12/24V DC source	10...31.2V DC	1756-TBCH 1756-TBS6H
1756-OC8	8 outputs (4 points/group)	48V DC source	30...60V DC	1756-TBNH 1756-TBSH
1756-OG16	16 (8 points/group)	5V DC TTL source (Low=True)	4.5...5.5V DC	1756-TBNH 1756-TBSH

Cat. No.	Inputs/Outputs	Voltage Category	Operating Voltage Range	Removable Terminal Block
1756-0H8I	8 individually isolated outputs	120V DC	90...146V DC	1756-TBCH 1756-TBS6H
1756-0V16E	16 electronically fused outputs (8 points/group)	12/24V DC sink	10...30V DC	1756-TBNH 1756-TBSH
1756-0V32E	32 electronically fused outputs (16 points/group)	12/24V DC sink	10...30V DC	1756-TBCH 1756-TBS6H

## DC Digital Safety Modules

Cat. No.	Inputs/Outputs	Voltage Category	Operating Voltage Range	Removable Terminal Block
1756-1B16S	16 channels (1 group of 16), sinking	12/24V DC sink	10...32V AC	1756-TBCHS 1756-TBS6HS
1756-0BV8S	8 outputs	24V DC source	18...32V DC	1756-TBNHS 1756-TBSHS

- IMPORTANT**
- 1756-1B16S and 1756-0BV8S modules are only compatible with GuardLogix 5580 controllers as local or remote I/O, and Compact GuardLogix 5380 controllers as remote I/O.
  - The 1756-1B16S and 1756-0BV8S modules are only compatible with a 1756 ControlLogix Chassis, Series C.

## Contact Output Modules

Cat. No.	Inputs/Outputs	Operating Voltage Range	Removable Terminal Block
1756-0W16I	16 normally open, individually isolated outputs	5...125V DC 10...240V AC	1756-TBCH 1756-TBS6H
1756-0X8I	8 normally open 8 normally closed, individually isolated outputs (2 points/group)	5...125 DC 10...240V AC	1756-TBCH 1756-TBS6H

## Analog Input Modules

Cat. No.	Inputs/Outputs	Range	Resolution	Removable Terminal Block
1756-1F6CIS	6 individually isolated inputs, current sourcing	0...20 mA (overrange indication when exceeded)	16 bits 0.34 $\mu$ A/bit	1756-TBNH 1756-TBSH
1756-1F6I	6 individually isolated inputs	$\pm$ 10.5V 0...10.5V 0...5.25V 0...21 mA	16 bits 10.5V: 343 $\mu$ V/bit 0...10.5V: 171 $\mu$ V/bit 0...5.25V: 86 $\mu$ V/bit 0...21 mA: 0.34 $\mu$ A/bit	1756-TBNH 1756-TBSH
1756-1F8	8 single-ended inputs 4 differential inputs 2 high-speed differential inputs	$\pm$ 10V 0...10V 0...5V 0...20 mA	$\pm$ 10.25V: 320 $\mu$ V/cnt (15 bits plus sign bipolar) 0...10.25V: 160 $\mu$ V/cnt (16 bits) 0...5.125V: 80 $\mu$ V/cnt (16 bits) 0...20.5 mA: 0.32 $\mu$ A/cnt (16 bits)	1756-TBCH 1756-TBS6H
1756-1F8H	8 differential voltage or current inputs, HART interface	$\pm$ 10V 0...5V 1...5V 0...10V 0...20 mA 4...20 mA	16...21 bits	1756-TBCH 1756-TBS6H
1756-1F8I	8 individually isolated inputs, current or voltage	$\pm$ 10V 0...10V 0...5V 0...20 mA	24 bits $\pm$ 10.5V (1.49 $\mu$ V/count) 0...10.5V (1.49 $\mu$ V/count) 0...5.25V (1.49 $\mu$ V/count) 0...21 mA (2.99 nA/count)	1756-TBCH 1756-TBS6H
1756-1F8IH	8 individually isolated current inputs, HART interface	0...20 mA 4...20 mA	16...21 bits	1756-TBCH 1756-TBS6H

Cat. No.	Inputs/Outputs	Range	Resolution	Removable Terminal Block
1756-IF16	16 single-ended inputs 8 differential or 4 differential (high speed) inputs	±10V 0...10V 0...5V 0...20 mA	16 bits 10.5V: 343 µV/bit 0...10.5V: 171 µV/bit 0...5.25V: 86 µV/bit 0...21 mA: 0.34 µA/bit	1756-TBCH 1756-TBS6H
1756-IF16H	16 differential current inputs, HART interface	0...20 mA 4...20 mA	16...21 bits	1756-TBCH 1756-TBS6H
1756-IF16IH	16 individually isolated current inputs, HART interface	0...20 mA 4...20 mA	16...21 bits	1756-TBCH 1756-TBS6H

## Analog RTD and Thermocouple Modules

Cat. No.	Inputs/Outputs	Range	Resolution	Removable Terminal Block
1756-IR6I	6 individually isolated RTD inputs	1...487 Ω 2...1000 Ω 4...2000 Ω 8...4000 Ω	16 bits 1...487 Ω: 7.7 mΩ/bit 2...1000 Ω: 15 mΩ/bit 4...2000 Ω: 30 mΩ/bit 8...4020 Ω: 60 mΩ/bit	1756-TBNH 1756-TBSH
1756-IRT8I	8 individually isolated inputs, RTD or thermocouple inputs (2 CJC)	1...500 Ω 2...1000 Ω 4...2000 Ω 8...4000 Ω -100...+100 mV	24 bits 0...510Ω: 0.06 mΩ/count 0...1020Ω: 0.12 mΩ/count 0...2040Ω: 0.25 mΩ/count 0...4080Ω: 0.50 mΩ/count -101...+101 mV: 0.01 µV/count	1756-TBCH 1756-TBS6H
1756-IR12	12 channels RTD mode	1...500 Ω 2...1000 Ω 4...2000 Ω 8...4000 Ω	24 bits 0...510Ω: 0.06 mΩ/count 0...1020Ω: 0.12 mΩ/count 0...2040Ω: 0.25 mΩ/count 0...4080Ω: 0.50 mΩ/count	1756-TBCH 1756-TBS6H
1756-IT16	16 channels, thermocouple mode 2 CJC	-100...+100 mV	24 bits -101...+101 mV: 0.01 µV/count	1756-TBCH 1756-TBS6H
1756-IT6I	6 individually isolated thermocouple inputs 1 CJC	-12...+78 mV -12...+30 mV	16 bits -12...+78 mV: 1.4 µV/bit -12...+30 mV: 0.7 µV/bit	1756-TBNH 1756-TBSH
1756-IT6I2	6 individually isolated thermocouple inputs 2 CJC	-12...+78 mV (1.4 µV per bit) -12...+30 mV (0.7 µV per bit)	16 bits -12...+78 mV: 1.4 µV/bit -12...+30 mV: 0.7 µV/bit	1756-TBNH 1756-TBSH

## Analog Output Modules

Cat. No.	Inputs/Outputs	Range	Resolution	Removable Terminal Block
1756-OF4	4 voltage or current outputs	±10V 0...20 mA	Voltage: 15 bits across 10.5V, 320 µV/bit Current: 15 bits across 21 mA, 650 nA/bit	1756-TBNH 1756-TBSH
1756-OF6CI	6 individually isolated outputs, current	0...21 mA	13 bits across 21 mA (2.7 µA)	1756-TBNH 1756-TBSH
1756-OF6VI	6 individually isolated outputs, voltage	±10.5V	14 bits across 21V (1.3 mV) (13 bits across 10.5V +sign bit)	1756-TBNH 1756-TBSH
1756-OF8	8 voltage or current outputs	±10V 0...20 mA	15 bits across 21 mA - 650 nA/bit 15 bits across 10.4V - 320 µV/bit	1756-TBNH 1756-TBSH
1756-OF8H	8 voltage or current outputs, HART interface	±10V 0...20 mA 4...20 mA	15...16 bits	1756-TBNH 1756-TBSH
1756-OF8I	8 individually isolated outputs, current or voltage	±10V 0...10V 0...5V 0...20 mA	16 bit ±10.5V (0.32 mV/count) 0...10.5V (0.16 mV/count) 0...5.25V (0.08 mV/count) 0...21 mA (0.32 µA/count)	1756-TBCH 1756-TBS6H
1756-OF8IH	8 individually isolated current outputs	0...20 mA 4...20 mA	15 bits across 24 mA, 732 nA per bit	1756-TBCH 1756-TBS6H

## Analog Combination Input and Output Module

Cat. No.	Inputs/Outputs	Range	Resolution	Removable Terminal Block
1756-IF4FX0F2F	4 high-speed, submillisecond, differential inputs 2 high-speed voltage or current outputs	Input: ±10V 0...10V 0...5V 0...20 mA Output: ±10V 0...20 mA	Input: Approx 14 bits across ±10V DC (21V total) ±10V: 1.3 mV/bit, 14-bit effective 0...10.5V: 1.3 mV/bit, 13-bit effective 0...5.25V: 1.3 mV/bit, 12-bit effective Approx 12 bits across 21 mA 0...21 mA: 5.25 µA/bit Output: 13 bits across 21 mA = 2.8 µA/bit 14 bits across 21.8V = 1.3 mV/bit	1756-TBCH 1756-TBS6H

## Specialty I/O Modules

Cat. No.	Inputs/Outputs	Description	Removable Terminal Block
1756-CFM	4 inputs (2 per channel) 2 outputs, current sourcing	Configurable flowmeter module 2 Flowmeter (F) inputs used for all modes 2 Gate inputs used in Totalizer mode for prover/store count	1756-TBNH 1756-TBSH
1756-HSC	2 counters, each with 3 inputs (A, B, Z for gate/reset) 4 outputs (2 points/group)	High-speed counter module 5V operation: 4.5...5.5V DC 12/24V operation: 10...26.4V DC	1756-TBCH 1756-TBS6H
1756-LSC8XIB8I	8...24V DC counters 8 individually isolated, standard inputs, or counters	Low speed counter module 8...40 kHz 24V DC counters 8 individually isolated 12/24V DC low speed (max frequency 40 kHz) counters 8 individually isolated high-speed 12/24V DC sink/source standard- or counter-control inputs	1756-TBCH 1756-TBS6H
1756-PLS	Left section: 2 groups of 4 outputs and 4 inputs each Center section: resolver interface and I/O control Right section: 2 groups of 4 outputs and 4 inputs each	Programmable limit switch module	Requires 3 RTBs: 1756-TBNH or 1756-TBSH

## Accessories—I/O Modules

### 1756 Removable Terminal Blocks

Removable terminal blocks (RTBs) provide a flexible interconnection between your plant wiring and 1756 I/O modules. The RTB plugs into the front of the I/O module. The type of module determines the RTB you need. You can choose screw-clamp or spring-clamp RTBs.

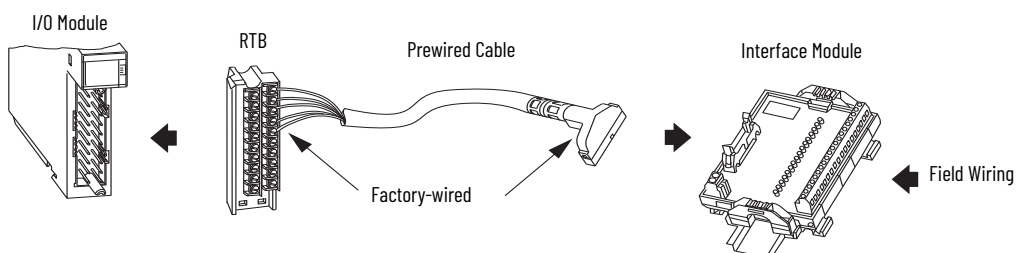
RTBs are not shipped with I/O modules. You must order them separately. The standard housing on the front of the wiring arm is not necessarily deep enough for 2.5 mm<sup>2</sup> (14 AWG) wiring. If you plan to use 2.5 mm<sup>2</sup> (14 AWG) wiring, also order the extended housing. For more information on Extended-Depth Housing, see Knowledgebase article Use of the 1756-TBE Extended Terminal Housing. You can access the article at: <https://rockwellautomation.custhelp.com/> (login is required).

Attribute	1756-TBNH	1756-TBSH	1756-TBCH	1756-TBS6H	1756-TBE
Description	20-position NEMA screw-clamp removable block	20-pin spring-clamp removable terminal block with standard housing	36-pin cage-clamp removable terminal block with standard housing	36-pin spring-clamp removable terminal block with standard housing	Extended-depth terminal block housing
Screw torque	0.8...1 N•m 7...9 lb•in		0.4 N•m 4.4 lb•in		Not applicable

### Wiring Systems

As an alternative to buying RTBs and connecting the wires yourself, you can buy a wiring system of the following:

- Interface modules (IFMs) that provide the I/O terminal blocks for Digital I/O modules. Use the prewired cables that match the I/O module to the IFM.
- Analog interface modules (AIFMs) that provide the I/O terminal blocks for analog I/O modules. Use the prewired cables that match the I/O module to the AIFM.
- I/O module-ready cables. One end of the cable assembly is an RTB that plugs into the front of the I/O module. The other end has individually color-coded conductors that connect to a standard terminal block.



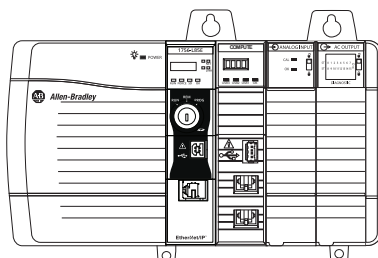
# ControlLogix Compute Modules

ControlLogix Compute modules are chassis-based modules that let you communicate directly with a ControlLogix 5570 or ControlLogix 5580 controller via the system backplane and over a network.

You use an application programming interface (API) on the OS to read and write data over the 1756 ControlLogix backplane. The presence of a ControlLogix Compute module is similar to installing a security hardened computer in a ControlLogix chassis.

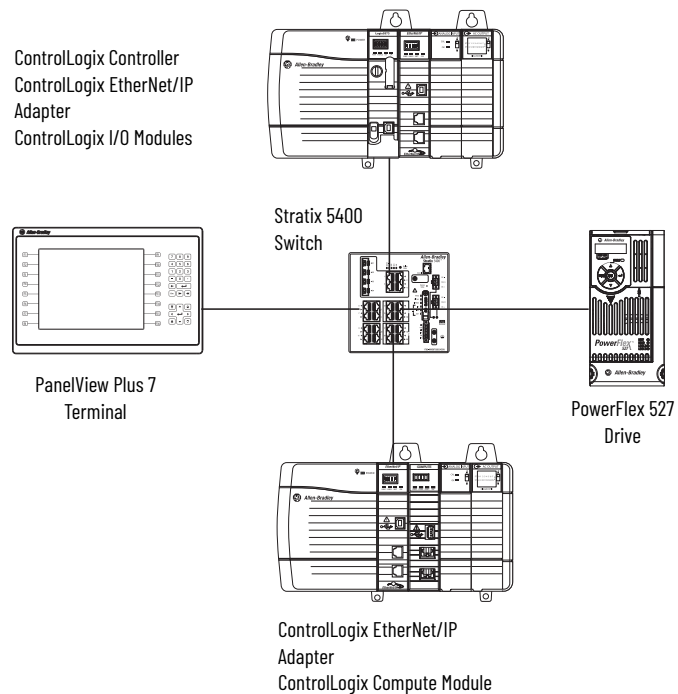
## Example Control Systems with Compute Module

Compute Module Communication Over Backplane



ControlLogix Controller  
ControlLogix Compute Module  
ControlLogix I/O Modules

Compute Module Communication Over EtherNet/IP Network and Controller Chassis Backplane



ControlLogix Controller  
ControlLogix EtherNet/IP  
Adapter  
ControlLogix I/O Modules

Stratix 5400  
Switch

PanelView Plus 7  
Terminal

PowerFlex 527  
Drive

ControlLogix EtherNet/IP  
Adapter  
ControlLogix Compute Module

This table includes example Compute module descriptions.

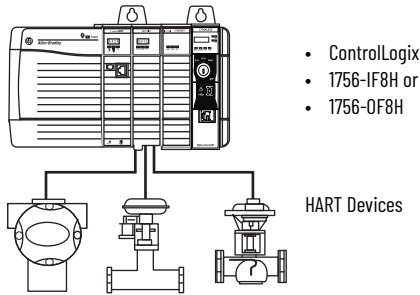
Cat. Nos	Description
1756-CMS1B1	Compute module with: <ul style="list-style-type: none"> <li>• Standard performance (dual-core CPU)</li> <li>• 32 GB SSD</li> <li>• Embedded Windows 10 IoT Enterprise LTSB 64-bit OS</li> </ul> This module does not include a pre-loaded application.
1756-CMS1C1	Compute module with: <ul style="list-style-type: none"> <li>• Standard performance (dual-core)</li> <li>• 32 GB SSD</li> <li>• Embedded Linux 32-bit (Debian 8.9) OS.</li> </ul> This module does not include a pre-loaded application.



# HART Smart Instrumentation

HART (Highway Addressable Remote Transducer) is an open protocol that is designed to connect analog devices. For HART connectivity, select products available from Rockwell Automation and our Encompass™ partners in the Rockwell Automation® PartnerNetwork™ program.

## Typical HART Configuration



## HART Interfaces

If your application has the following	Select	Description
Analog and HART connectivity in one module No external hardware is required to access HART signal HART commands can be transmitted as unscheduled messages Supports asset management software to HART device	1756-IF8H 1756-IF16H 1756-OF8H	Allen-Bradley® analog I/O modules
Analog and HART connectivity in one module No external hardware is required to access HART signal HART commands can be transmitted as unscheduled messages Supports asset management software to HART device Provides current isolation	1756-IF8IH 1756-OF8IH 1756-IF16IH	Allen-Bradley isolated analog I/O modules
Data acquisition or control application with slow update requirements (such as a tank farm) No external hardware is required to access HART signal Does not connect directly to asset management software	MVI56-HART	ProSoft interface
Analog and HART in one module Instrumentation in hazardous locations (FLEX Ex™ modules) HART commands can be transmitted as unscheduled messages Directly connects asset management software to HART devices	1794 FLEX I/O 1797 FLEX Ex I/O	There are FLEX I/O and FLEX Ex modules that are designed for HART systems. These catalog numbers end in an H, such as 1797-IE8H.

# ControlLogix Communication Modules

Separate communication modules are available for different networks. Install multiple communication modules into the ControlLogix backplane to bridge or route control and information data between networks. You can route a message through a maximum of four chassis (eight communication hops). You do not need a ControlLogix controller in the chassis.

Application	Network	Page
<ul style="list-style-type: none"> <li>Plant management (material handling)</li> <li>Configuration, data collection, and control on one high-speed network</li> <li>Time-critical applications with no established schedule</li> <li>Inclusion of commercial technologies (such as video over IP)</li> <li>Internet/Intranet connection</li> <li>High-speed transfer of time-critical data between controllers and I/O devices</li> <li>Integrated motion on the EtherNet/IP network and safety</li> <li>Redundant controller systems</li> </ul>	EtherNet/IP	17
<ul style="list-style-type: none"> <li>High-speed transfer of time-critical data between controllers and I/O devices</li> <li>Deterministic and repeatable data delivery</li> <li>Media redundancy</li> <li>Intrinsic safety</li> <li>Redundant controller systems</li> </ul>	ControlNet	18
<ul style="list-style-type: none"> <li>Connections of low-level devices directly to plant floor controllers, without interfacing them through I/O modules</li> <li>Data sent as needed</li> <li>More diagnostics for improved data collection and fault detection</li> <li>Less wiring and reduced start-up time than a traditional, hard-wired system</li> </ul>	DeviceNet	18
<ul style="list-style-type: none"> <li>Plant-wide and cell-level data sharing with program maintenance</li> <li>Data sent regularly</li> <li>Transfer of information between controllers</li> </ul>	Data Highway Plus™	19
<ul style="list-style-type: none"> <li>Connections between controllers and I/O adapters</li> <li>Data sent regularly</li> <li>Distributed control so that each controller has its own I/O and communicates with a supervisory controller</li> </ul>	Remote I/O	19
<ul style="list-style-type: none"> <li>Fieldbus transmitters and actuators</li> <li>Closed-loop control</li> <li>Process automation</li> </ul>	Foundation Fieldbus	20

For detailed specifications, see the 1756 ControlLogix Communication Modules Specifications Technical Data, publication [1756-TD003](#).

## EtherNet/IP Communication Modules

EtherNet/IP (Ethernet Industrial Protocol) is an open industrial-networking standard that supports real time I/O messaging and message exchange. The EtherNet/IP network uses off-the-shelf Ethernet communication chips and physical media.

Cat. No.	Description	Media	Communication Rate	Integrated Motion on the EtherNet/IP Network Axes, max	TCP/IP Connections	Logix Connections
1756-EN2F	EtherNet/IP bridge, fiber	Fiber	100 Mbps	8	128	256
1756-EN2TSC	EtherNet/IP secure communication module	Copper	10/100 Mbps	—	128	256
1756-EN2T	EtherNet/IP bridge, copper	Copper	10/100 Mbps	8	128	256
1756-EN2TXT	ControlLogix-XT, extended temperature EtherNet/IP bridge, copper for extreme environments	Copper	10/100 Mbps	8	128	256
1756-EN2TP	EtherNet/IP bridge, copper	Copper	10/100 Mbps	8	128	256
1756-EN2TPXT	ControlLogix-XT, extended temperature EtherNet/IP bridge, copper for extreme environments	Copper	10/100 Mbps	8	128	256
1756-EN2TR	EtherNet/IP bridge, embedded switch, copper	Dual copper	10/100 Mbps	8	128	256
1756-EN2TRXT	ControlLogix-XT, extended temperature EtherNet/IP bridge, embedded switch, copper	Dual copper	10/100 Mbps	8	128	256
1756-EN3TR	EtherNet/IP bridge, embedded switch, copper	Dual copper	10/100 Mbps	128	128	256

Cat. No.	Description	Media	Communication Rate	Integrated Motion on the EtherNet/IP Network Axes, max	TCP/IP Connections	Logix Connections
1756-EN4TR	EtherNet/IP bridge with CIP Security™, embedded switch, copper	Copper	10/100 Mbps, 1 Gbps	256	512	1000 I/O 528 Messaging
1756-EN4TRXT	ControlLogix-XT, extended temperature EtherNet/IP bridge with CIP Security, embedded switch, copper	Copper	10/100 Mbps, 1 Gbps	256	512	1000 I/O 528 Messaging
1756-ENBT	EtherNet/IP bridge, copper	Copper	10/100 Mbps	—	64	128
1756-EWEB	Ethernet web server module	Copper	10/100 Mbps	—	64	128

## ControlNet Communication Modules

The ControlNet network combines the functionality of an I/O network and a peer-to-peer network, providing high-speed performance. The ControlNet network provides deterministic, repeatable transfers of critical control data.

Cat. No.	Description	Communication Rate	Logix Connections	Number of Nodes
1756-CN2	ControlNet bridge, standard media	5 Mbps	128 <sup>(1)</sup>	99
1756-CN2R	ControlNet bridge, redundant media	5 Mbps	128 <sup>(1)</sup>	99
1756-CNB	ControlNet bridge, standard media	5 Mbps	64 <sup>(2)</sup>	99
1756-CNBR	ControlNet bridge, redundant media	5 Mbps	64 <sup>(2)</sup>	99
1756-CN2RXT	ControlLogix-XT, extended temperature ControlNet bridge, redundant media	5 Mbps	128 <sup>(1)</sup>	99

(1) 128 connections are available for standard use. An extra three connections are reserved for redundant control.

(2) Recommend using only 40...48 Logix connections for I/O.

## DeviceNet Communication Module

The DeviceNet network provides connections between simple, industrial devices (such as sensors and actuators) and higher-level devices (such as controllers and computers).

Cat. No.	Description	Communication Rate	Number of Nodes
1756-DNB	DeviceNet bridge	125 Kbps (500 m max) 250 Kbps (250 m max) 500 Kbps (100 m max)	64

## Data Highway Plus and Remote I/O Communication Modules

The Data Highway Plus network supports messaging between devices. The remote I/O link connects to remote I/O chassis and other intelligent devices.

The 1756-DHRIO module supports messaging between devices on DH+ networks. The remote I/O functionality enables the module to act as a scanner for transferring digital and block transfer data to and from remote I/O devices.

The 1756-RIO module can act as a scanner or adapter on a remote I/O network. The 1756-RIO transfers digital, block transfer, analog, and specialty data without message instructions.

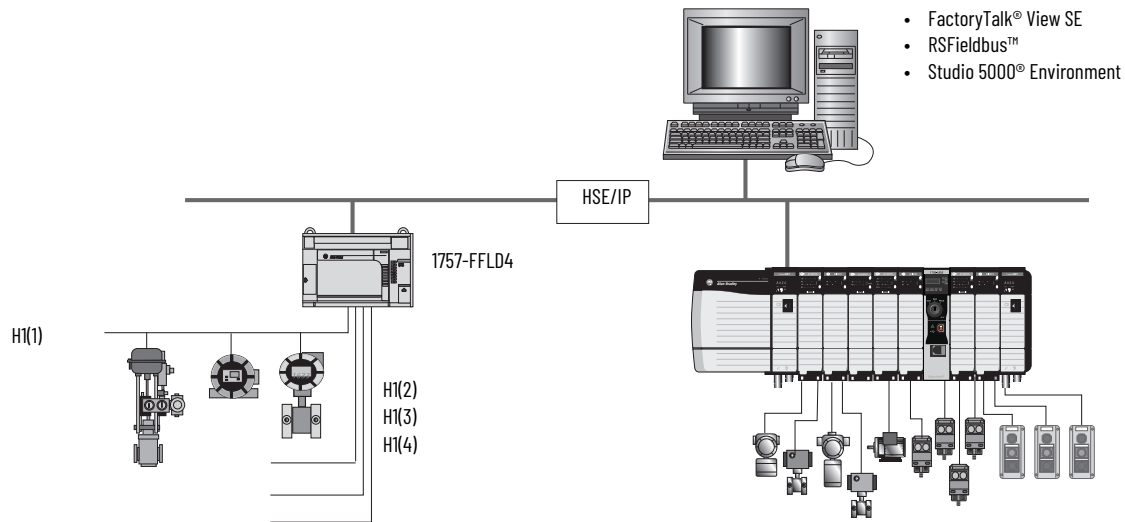
Cat. No.	Description	Communication Rate	DH+ Connections	RIO Connections	Maximum Recommended Logix Connections
1756-DHRIO	Data Highway Plus/Remote I/O two-channel communication module	57.6 Kbps, 115.2 Kbps, 230.4 Kbps	32 DH+ messages per DH+ module	Remote I/O scanner only 32 logical rack connections per remote I/O channel 16 block transfer connections per remote I/O channel	32
1756-RIO	Remote I/O communication module	57.6 Kbps, 115.2 Kbps, 230.4 Kbps	—	Remote I/O scanner or adapter 32 physical racks (0...76), any combination of rack size and block transfers	10 scheduled I/O
1756-DHRIOXT	ControlLogix-XT, extended temperature Data Highway Plus/Remote I/O two-channel communication module	57.6 Kbps, 115.2 Kbps, 230.4 Kbps	32 DH+ messages per DH+ module	Remote I/O scanner only 32 logical rack connections per remote I/O channel 16 block transfer connections per remote I/O channel	32

## FOUNDATION Fieldbus Linking Devices

The FOUNDATION Fieldbus protocol is a network that is designed for distributed control of process applications.

Cat. No.	Description	Communication Rate	Number of H1 Ports	Devices per H1 Link	Devices per Linking Device
1757-FFLD2	FOUNDATION Fieldbus bridge to an Ethernet network	FOUNDATION Fieldbus: 31.25 Kbps EtherNet/IP: 10/100 Mbps	2	16 (8...10 recommended)	32
1757-FFLD4			4		64
1757-FFLDC2	FOUNDATION Fieldbus bridge to a ControlNet network	FOUNDATION Fieldbus: 31.25 Kbps ControlNet: 5 Mbps	2	16 (8...10 recommended)	32
1757-FFLDC4			4		64

### Example Configuration—Bridge to EtherNet/IP Network



## Other Connectivity Options

Option	Consideration
USB connection	The ControlLogix controllers have a USB port in place of the serial port. <sup>(1)</sup> If your application requires RS-232 functionality, see the many Encompass partners' products at <a href="http://www.rockwellautomation.com/encompass">http://www.rockwellautomation.com/encompass</a> .
DH-485 network	The controller serial port is compatible with DH-485 communication. The DH-485 connection does support remote programming and monitoring via the Studio 5000 Logix Designer® application. Or, add a 1756-DH485 communication module.
SynchLink™ network	The SynchLink communication module (1756-SYNCH) provides time synchronization and data broadcasting capabilities for distributed motion and coordinated drive control. The module connects a ControlLogix chassis to a SynchLink fiber-optic communication link.

(1) The USB port is intended only for temporary local programming purposes and not intended for permanent connection. Do not use the USB port in hazardous locations.

## Modbus Support

To access a Modbus TCP network, use one of the following methods:

Connect through the 1756-EN2T, 1756-EN2TR, 1756-EN2F, or 1756-EN3TR modules, with firmware revision 5.007 or later and execute a ladder-logic routine.

Connect through the 1756-EWEB module, with firmware revision 4.006 or later and execute a ladder-logic routine.

Connect through the 5069-SERIAL module, with firmware revision 2.011 or later and execute a ladder-logic routine.

For more information, see Knowledgebase document 470365 at <http://www.rockwellautomation.com/knowledgebase/>.

To access a Modbus RTU network, connect through the serial port (if available) and execute a ladder-logic routine. For more information, see Using Logix 5000 Controllers as Masters or Slaves on Modbus Application Solution, publication [CIG-AP129](#).

# ControlLogix Integrated Motion

The Logix architecture supports motion control components that work in a wide variety of machine architectures:

- Integrated motion on the EtherNet/IP network supports a connection to Ethernet drives.
- The Kinetix® integrated-motion solution uses a SERCOS or EtherNet/IP interface to perform multi-axis, synchronized motion.
- Logix integrated motion supports the analog family of servo modules for controlling drives/actuators.
- Networked motion provides connection via the DeviceNet network to one axis drive to perform point-to-point indexing.

For detailed specifications on motion interface modules, see the 1756 ControlLogix Integrated Motion Modules Specifications Technical Data, publication [1756-TD004](#).

For more information, see these publications:

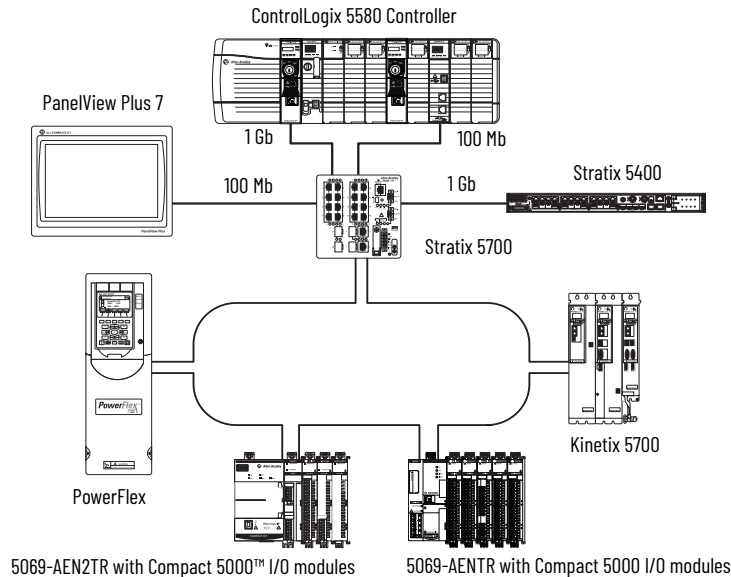
- Motion Analyzer CD to size your motion application and to make final component selection

Download the software from <https://motionanalyzer.rockwellautomation.com/>

- Kinetix Motion Control Selection Guide, publication [GMC-SG001](#), to verify drive, motor, and accessory specifications

## Integrated Motion on an EtherNet/IP Network

Product	Consideration
Drive that supports EtherNet/IP connections	Unlimited velocity, torque, and VHz configured drives: <ul style="list-style-type: none"> <li>• Kinetix 6500 drives</li> <li>• Kinetix 5700 drives</li> <li>• Kinetix 5500 drives</li> <li>• Kinetix 350 drives</li> <li>• PowerFlex 755 drives</li> <li>• PowerFlex 527 drives</li> </ul>
ControlLogix controller	<ul style="list-style-type: none"> <li>• ControlLogix 5570 controller: as many as 100 drives per controller</li> <li>• ControlLogix 5580 controller: as many as 256 drives per controller</li> </ul>
ControlLogix EtherNet/IP communication module	<ul style="list-style-type: none"> <li>• 1...8 position loop axes that are configured with the 1756-EN2T or 1756-EN2TR modules</li> <li>• 1...128 position loop axes that are configured with the 1756-EN3TR module</li> </ul>





# ControlLogix Controllers

The ControlLogix controller is part of the Logix 5000 family of controllers. A ControlLogix system includes the following:

- The ControlLogix controller, available in different combinations of user memory
- Studio 5000 environment
- 1756 ControlLogix I/O modules that reside in a 1756 chassis
- Separate communication modules for network communication



For detailed specifications, see the 1756 ControlLogix Controllers Technical Data, publication [1756-TD001](#).

Feature	ControlLogix 5580 Controllers	ControlLogix 5570 Controllers
User Memory	1756-L81E, 1756-L81EK, 1756-L81E-NSE, 1756-L81EXT, 1756-L81EP: 3 MB	1756-L71: 2 MB
	1756-L82E, 1756-L82EK, 1756-L82E-NSE, 1756-L82EXT: 5 MB	1756-L72: 4 MB
	1756-L83E, 1756-L83EK, 1756-L83E-NSE, 1756-L83EXT, 1756-L83EP: 10 MB	1756-L73, 1756-L73XT: 8 MB
	1756-L84E, 1756-L84EK, 1756-L84E-NSE, 1756-L84EXT: 20 MB	1756-L74: 16 MB
	1756-L85E, 1756-L85EK, 1756-L85E-NSE, 1756-L85EXT, 1756-L85EP: 40 MB	1756-L75: 32 MB
Controller tasks	<ul style="list-style-type: none"> <li>• 32 tasks</li> <li>• 1000 programs/task</li> <li>• Event tasks: all event triggers</li> </ul>	<ul style="list-style-type: none"> <li>• 32 tasks</li> <li>• 1000 programs/task<sup>(1)</sup></li> <li>• Event tasks: all event triggers</li> </ul>
Built-in communication ports	<ul style="list-style-type: none"> <li>• 1 port USB client</li> <li>• Single-port EtherNet/IP</li> </ul>	1 port USB Client
Communication options	<ul style="list-style-type: none"> <li>• EtherNet/IP</li> <li>• ControlNet</li> <li>• DeviceNet</li> <li>• Data Highway Plus</li> <li>• Remote I/O</li> <li>• SynchLink</li> <li>• Third-party process and device networks</li> </ul>	<ul style="list-style-type: none"> <li>• EtherNet/IP</li> <li>• ControlNet</li> <li>• DeviceNet</li> <li>• Data Highway Plus</li> <li>• Remote I/O</li> <li>• SynchLink</li> <li>• Third-party process and device networks</li> </ul>
Controller connections	Not applicable	500 connections
Node capacity	Logix Designer application, version 30 or later: <ul style="list-style-type: none"> <li>• All 1756-L81 catalog numbers: 100 EtherNet/IP nodes<sup>(3)</sup></li> <li>• All 1756-L82 catalog numbers: 175 EtherNet/IP nodes<sup>(3)</sup></li> <li>• All 1756-L83 catalog numbers: 250 EtherNet/IP nodes<sup>(2)</sup></li> <li>• All 1756-L84 catalog numbers: 250 EtherNet/IP nodes<sup>(3)</sup></li> <li>• All 1756-L85 catalog numbers: 300 EtherNet/IP nodes<sup>(3)</sup></li> </ul>	Not applicable
Network connections, per network module <sup>(3)</sup>	Not applicable <sup>(4)</sup>	<ul style="list-style-type: none"> <li>• 256 EtherNet/IP; 128 TCP (1756-EN2x, 1756-ENxT(R))</li> <li>• 128 EtherNet/IP; 64 TCP (1756-ENBT)</li> <li>• 128 ControlNet (1756-CN2/B)</li> <li>• 100 ControlNet (1756-CN2/A)</li> <li>• 40 ControlNet (1756-CNB)</li> </ul>
Controller redundancy	Full support in Studio 5000 Logix Designer application version 33 and later. The Ethernet port is disabled on controllers enabled for redundancy.	Full support
Integrated motion	<ul style="list-style-type: none"> <li>• EtherNet/IP connection</li> <li>• With Logix Designer application, version 31 or later:               <ul style="list-style-type: none"> <li>– SERCOS interface</li> <li>– Analog options (encoder input, LDT input, SSI input)</li> </ul> </li> <li>• Controllers enabled for redundancy do not support motion.</li> </ul>	<ul style="list-style-type: none"> <li>• EtherNet/IP connection</li> <li>• SERCOS interface</li> <li>• Analog options (encoder input, LDT input, SSI input)</li> <li>• Controllers enabled for redundancy do not support motion.</li> </ul>
Programming languages	<ul style="list-style-type: none"> <li>• Relay ladder</li> <li>• Structured text</li> <li>• Function block</li> <li>• Sequential function chart (SFC)</li> </ul>	<ul style="list-style-type: none"> <li>• Relay ladder</li> <li>• Structured text</li> <li>• Function block</li> <li>• Sequential function chart (SFC)</li> </ul>

(1) Studio 5000, version 23 and earlier, is limited to 100 Programs/Task.

(2) This value is the maximum number of EtherNet/IP nodes that the controller supports. Use the Integrated Architecture® Builder design tool to lay out and validate your system design and additional node options. For further information on nodes on an EtherNet/IP network, see the ControlLogix 5580 and GuardLogix 5580 Controllers User Manual, publication [1756-UM543](#).

(3) For the ControlLogix 5580 controllers, the total number of devices cannot exceed the total number of devices that the controller supports. The number of connections per network module shown is the maximum designed capacity of the modules. The device data size and requested data rate determine the actual device capacity.

(4) This value is determined by the node capacity for the ControlLogix 5580 controllers. See the node capacity feature for more information.

## ControlLogix 5580 and ControlLogix 5570 Redundant Controllers

ControlLogix 5580 and ControlLogix 5570 controllers support controller redundancy. In a redundant controller system, you need these components:

- Two 1756 chassis, each with the same of the following:
  - Number of slots
  - Modules in the same slots
  - Redundancy firmware revisions in each module
  - Approved module firmware revisions for use within ControlLogix Redundancy systems.
- One 1756-RM2 or 1756-RM2XT module per chassis that supports the following:
  - One or two ControlLogix controllers of the same family. ControlLogix 5580 controllers support redundancy with the Studio 5000 Logix Designer application, version 33 or later.
  - For ControlLogix 5580 controllers, as many as seven EtherNet/IP communication modules.
  - For ControlLogix 5570 controllers, as many as seven ControlNet or EtherNet/IP communication modules in any combination.
- One or two 1756-RMCx cables

## ControlLogix 5580 and ControlLogix 5570 ControlLogix-XT Controllers

The ControlLogix-XT (Extended Temperature) controllers function in the same way as the traditional ControlLogix controllers, with an extended temperature range, and have the same features as the ControlLogix standard controllers.

The ControlLogix-XT products include control and communication system components that are conformal coated to add a layer of protection when exposed to harsh, corrosive environments. While the standard ControlLogix system can withstand temperatures from 0...60 °C (33...140 °F), the ControlLogix-XT system can withstand temperatures from -25...+70 °C (-13...+158 °F).



## ControlLogix 5580 Process Controllers

The process controller is an extension of the Logix 5000 controller family that focuses on plantwide process control. The process controller comes configured with a default process tasking model and dedicated PlantPAx® process instructions optimized for process applications and that improve design and deployment efforts.

The ControlLogix process controller hardware is also conformal-coated to add a layer of protection when exposed to harsh, corrosive environments, and can be used in temperature extremes from -25...+70 °C (-13...+158 °F) when deployed as part of a Logix-XT system.



## ControlLogix 5580 No Stored Energy (NSE) Controllers

The NSE controller is intended for use in applications that require the installed controller to deplete its residual stored energy to specific levels before transporting it into or out of your application. The Real Time Clock (RTC) does not retain its time and date when the power is off.

The residual stored energy of the NSE controller depletes to 400 µJ or less in 40 seconds.



## GuardLogix Controllers

A GuardLogix controller is a ControlLogix controller that also provides safety control. A major benefit of this system is that it is still one project, safety and standard together. The safety partner controller is part of the system, is automatically configured, and requires no user setup.



Application	Description
Up to SIL 3	<p>The GuardLogix controller system is type-approved and certified for use in safety applications up to and including SIL 3 according to IEC 61508, and applications up to and including PLe/Cat.4 according to ISO 13849-1. For more information, see the following:</p> <ul style="list-style-type: none"> <li>GuardLogix 5570 Controllers User Manual, publication <a href="#">1756-UM022</a>. Provides information on how to install, configure, and operate GuardLogix 5570 Controllers in Studio 5000, Version 21 or later projects.</li> <li>GuardLogix 5570 Controller Systems Safety Reference Manual, publication <a href="#">1756-RM099</a>. Provides information on how to meet safety application requirements for GuardLogix 5570 Controllers in Studio 5000, Version 21 or later projects.</li> <li>ControlLogix 5580 and GuardLogix 5580 Controllers User Manual, publication <a href="#">1756-UM543</a>. Provides information on how to install, configure, and operate GuardLogix 5580 Controllers in Studio 5000, Version 31 or later projects.</li> <li>GuardLogix 5580 and Compact GuardLogix 5380 Controller Systems Safety Reference Manual, publication <a href="#">1756-RM012</a>. Provides information on how to meet safety application requirements for GuardLogix 5580 Controllers in Studio 5000, Version 31 or later projects.</li> </ul>

Primary Controller	Safety Partner
1756-L81ES, 1756-L82ES, 1756-L83ES, 1756-L84ES	1756-L8SP (in SIL 3 applications, one safety partner is required for each GuardLogix 5580 controller)
1756-L71S, 1756-L72S, 1756-L73S	1756-L7SP
1756-L73SXT	1756-L7SPXT

During development, safety and standard have the same rules; multiple programmers, online editing, and forcing are all allowed. Once the safety system is validated and the safety signature applied, safety memory is protected, the safety logic cannot be modified, and all safety functions operate with SIL integrity. If the safety partner is present, the safety integrity will be SIL3. If no safety partner is present, the safety integrity will be SIL2. On the standard side of the GuardLogix controller, all functions operate like a regular Logix controller.

With the introduction of the GuardLogix 5580 controller, you can achieve up to SIL 2/PLd (Category 3) with one controller and the use of the safety task and safety I/O. You must use a primary controller and a safety partner to achieve SIL 3/PLe (Category 4).

Use Guard I/O™ modules for field device connectivity on Ethernet or DeviceNet networks, and for safety interlocking between GuardLogix controllers use Ethernet or ControlNet networks. Multiple GuardLogix controllers can share safety data for zone to zone interlocking, or one GuardLogix controller can use distributed safety I/O between different cells/areas.

Feature	GuardLogix 5580 Controllers	GuardLogix 5570 Controllers
User Memory	1756-L81ES: 3 MB standard, 1.5 MB safety	1756-L71S: 2 MB standard, 1 MB safety
	1756-L82ES: 5 MB standard, 2.5 MB safety	1756-L72S: 4 MB standard, 2 MB safety
	1756-L83ES: 10 MB standard, 5 MB safety	1756-L73S: 8 MB standard, 4 MB safety
	1756-L84ES: 20 MB standard, 6 MB safety	1756-L73SXT: 8 MB standard, 4 MB safety
Safety communication options	Standard and safety <ul style="list-style-type: none"> <li>EtherNet/IP</li> <li>ControlNet</li> <li>DeviceNet</li> </ul>	
Network connections, per network module	Not applicable	<ul style="list-style-type: none"> <li>256 EtherNet/IP; 128 TCP (1756-EN2x, 1756-EN3x)</li> <li>128 EtherNet/IP; 64 TCP (1756-ENBT)</li> <li>128 ControlNet (1756-CN2/B, 1756-CN2R/B)</li> <li>64 DeviceNet (1756-DNB)</li> </ul>
EtherNet/IP nodes supported, max <sup>(1)</sup>	1756-L81ES: 100 nodes 1756-L82ES: 175 nodes 1756-L83ES: 250 nodes 1756-L84ES: 250 nodes	Not applicable
Controller redundancy	Not supported	
Safety Task Programming languages	Relay ladder	

(1) A node is an EtherNet/IP device that you add directly to the I/O configuration, and counts toward the node limits of the controller. For more information on EtherNet/IP nodes, see the ControlLogix 5580 and GuardLogix 5580 Controllers User Manual, publication [1756-UM543](#).

## Armor ControlLogix and Armor GuardLogix Controllers

The Armor ControlLogix controller, extends the standard ControlLogix platform to the On-Machine space. The Armor GuardLogix controller delivers safety control up to SIL 3, PL e, CAT 4.



Both controllers have the equivalent of two embedded 1756-EN3TR modules, which offer dual independent Ethernet ports that support a DLR network topology.

Feature	Armor ControlLogix Controllers	Armor GuardLogix Controllers
User Memory	1756-L72EROM: 4 MB 1756-L73EROM: 8 MB	1756-L72EROMS: 4 MB standard, 2 MB safety 1756-L73EROMS: 8 MB, 4 MB safety
Communication options	Standard <ul style="list-style-type: none"> <li>EtherNet/IP</li> </ul>	Standard and safety <ul style="list-style-type: none"> <li>EtherNet/IP</li> </ul>
Controller redundancy	Not supported	
Programming languages	<ul style="list-style-type: none"> <li>Relay ladder</li> <li>Structured Text</li> <li>Function block</li> <li>Sequential Function Chart</li> </ul>	<ul style="list-style-type: none"> <li>Relay ladder</li> </ul>

## Accessories—Controllers

### Memory Cards

Memory cards offer nonvolatile memory to store a user program and tag data on a controller. The controllers ship with a Secure Digital (SD) card installed. The memory card installs in a socket on the controller. Through custom application code in the Logix Designer application, you can manually trigger the controller to save to or load tag data from nonvolatile memory or configure the controller to load from nonvolatile memory on powerup.

Attribute	1784-SD1	1784-SD2	1784-SDHC8	1784-SDHC32
Memory	1 GB	2 GB	8 GB	32 GB
Supported controllers	ControlLogix 5570, GuardLogix 5570, ControlLogix 5580, GuardLogix 5580			
Weight, approx	1.76 g (0.062 oz)			

## 1756 Energy Storage Modules

Important: Energy storage modules apply to only ControlLogix 5570 controllers.

Instead of a battery, the ControlLogix and GuardLogix controllers ship with a 1756-ESMCAP energy storage module (ESM) installed.

Cat No.	Description
1756-ESMCAP	Capacitor-based ESM included with the controller.
1756-ESMNSE	ESM without WallClockTime back-up power. Additionally, you can use this ESM only with a 1756-L73 (8 MB) or smaller memory-sized controller. Use this ESM if your application requires that the installed ESM deplete its residual energy to 40 $\mu$ J or less before transporting it into or out of your application.
1756-ESMNRM	ESM that secures the controller by permanently preventing the USB connection and SD card use. This ESM provides your application an enhanced degree of security.

The ControlLogix-XT extreme temperature controller ships with a 1756-ESMNCAPXT energy storage module installed.

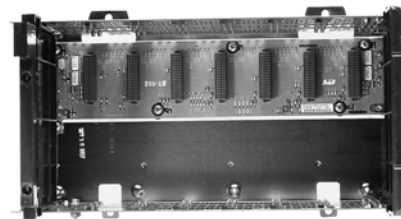
Cat No.	Description
1756-ESMCAPXT	Capacitor-based ESM included with the controller.
1756-ESMNSEXT	ESM without WallClockTime back-up power. Additionally, you can use this ESM only with a 1756-L73XT (8 MB) or smaller memory-sized controller. Use this ESM if your application requires that the installed ESM deplete its residual energy to 40 $\mu$ J or less before transporting it into or out of your application.
1756-ESMNRMXT	ESM that secures the controller by permanently preventing the USB connection and SD card use. This ESM provides your application an enhanced degree of security.

The 1756-L7SP safety partner for a GuardLogix system has the following modules available.

Cat No.	Description
1756-SPESMNSE	Capacitor-based ESM for a GuardLogix safety partner.
1756-SPESMNRM	ESM for a GuardLogix safety partner that secures the safety partner by permanently preventing the USB connection and SD card use.

## ControlLogix Chassis

The ControlLogix system is a modular system that requires a 1756 I/O chassis. Place any module into any slot. The backplane provides a high-speed communication path between modules.



The chassis are designed for horizontal-only, back-panel mounting. The chassis are available in these options:

- Standard chassis
- ControlLogix-XT chassis

For detailed specifications, see the 1756 ControlLogix Chassis Specifications Technical Data, publication [1756-TD006](#).

### Standard Chassis

The chassis backplane provides a high-speed communication path between modules and distributes power to each of the modules within the chassis.

Cat. No.	Description	Slots
1756-A4	Standard chassis	4
1756-A7		7
1756-A10		10
1756-A13		13
1756-A17		17

### ControlLogix-XT Chassis

The ControlLogix-XT chassis support extreme temperature environments.

Cat. No.	Description	Slots	Temperature Range
1756-A7XT/C	ControlLogix-XT chassis	7	-25...+70 °C (-13...+158 °F)
1756-A10XT/C		10	

### Accessories - Chassis

Use a slot filler module to fill empty slots.

Cat. No.	Description
1756-N2	Slot filler module for empty slots in standard ControlLogix chassis
1756-N2XT	Slot filler module for empty slots in ControlLogix-XT chassis

# ControlLogix Power Supplies

ControlLogix power supplies are used with the 1756 chassis to provide 1.2V, 3.3V, 5V, and 24V DC power directly to the chassis backplane. Select from these configurations:

- Standard power supplies
- ControlLogix-XT power supplies
- Redundant power supplies



For detailed specifications, see the 1756 ControlLogix Power Supplies Specifications Technical Data, publication [1756-TD005](#).

## Standard Power Supplies

You mount a standard power supply directly on the left end of the chassis, where it plugs directly into the backplane.

Cat. No.	Description	Voltage Category	Operating Voltage Range	Chassis
1756-PA50	Slim AC power supply	120V/240V AC	85...265V AC	Standard, series A
1756-PA72	Standard AC power supply	120V/240V AC	85...265V AC	Standard, series A and series B
1756-PA75		120V/240V AC	85...265V AC	Standard, series B
1756-PB50	Slim DC power supply	24V DC	18...32V DC	Standard, series A
1756-PB72	Standard DC power supply	24V DC	18...32V DC	Standard, series A and series B
1756-PB75		24V DC	18...32V DC	Standard, series B
1756-PC75		48V DC	30...60V DC	Standard, series B
1756-PH75		125V DC	90...143V DC	Standard, series B

## ControlLogix-XT Power Supplies

The ControlLogix-XT power supplies support extreme temperature environments.

Cat. No.	Description	Voltage Category	Operating Voltage Range	Chassis
1756-PAXT	ControlLogix-XT AC power supply	120V/240V AC	85...265V AC	XT
1756-PA30XT	ControlLogix-XT slim AC power supply	120V/240V AC	85...265V AC	
1756-PBXT	ControlLogix-XT DC power supply	24V DC	18...32V DC	
1756-PB30XT	ControlLogix-XT slim DC power supply	24V DC	18...32V DC	



## Redundant Power Supplies

A redundant power supply system provides extra uptime protection for chassis that are used in critical applications. The redundant power supplies funnel power through the chassis adapter to the ControlLogix series B chassis backplane. To build a redundant power supply system, you need the following components.

Cat. No.	Amount	Description	Voltage Category	Operating Voltage Range	Chassis
1756-PAR2	Kit	Bundled system contains: – Two 1756-PA75R power supplies – Two 1756-CPR2 cables – One 1756-PSCA2 chassis adapter	110V AC	–	Standard, series B
1756-PAR2XT	Kit	Bundled system contains: – Two 1756-PAXTR power supplies – Two 1756-CPR2 cables – One 1756-PSCA2 chassis adapter	110V AC	–	
1756-PBR2	Kit	Bundled system contains: – Two 1756-PB75R power supplies – Two 1756-CPR2 cables – One 1756-PSCA2 chassis adapter	24V DC	–	
1756-PBR2XT	Kit	Bundled system contains: – Two 1756-PBXTR power supplies – Two 1756-CPR2 cables – One 1756-PSCA2 chassis adapter	24V DC	–	
1756-PA75R/A or 1756-PAXTR	2	Redundant AC power supply	120V/240V AC	85...265V AC	
1756-PB75R/A or 1756-PBXTR	2	Redundant DC power supply	24V DC	18...32V DC	
1756-CPR2 or 1756-CPR2D or 1756-CPR2U	2	Redundant power supply cable: Connector angle = straight, length = 0.91 m (3 ft) Connector angle = down, length = 0.91 m (3 ft) Connector angle = up, length = 0.91 m (3 ft)	–	–	
1756-PSCA2 or 1756-PSCA2XT	1	Redundant power supply chassis adapter	–	–	
N/A (user-supplied)	2	Annunciator wiring <sup>(1)</sup> (Maximum length = 10 m [32.8 ft])	–	–	

(1) Optional user-supplied annunciator wiring can be connected to the solid-state relay input for status and troubleshooting purposes.

## Additional Resources

These documents contain additional information concerning related products from Rockwell Automation.

Resource	Description
Industrial Automation Wiring and Grounding Guidelines, publication <a href="#">1770-4.1</a>	Provides general guidelines for installing a Rockwell Automation industrial system.
Product Certifications website, <a href="#">rok.auto/certifications</a> .	Provides declarations of conformity, certificates, and other certification details.

You can view or download publications at [rok.auto/literature](#).

# Rockwell Automation Support

Use these resources to access support information.

<b>Technical Support Center</b>	Find help with how-to videos, FAQs, chat, user forums, and product notification updates.	<a href="http://rok.auto/support">rok.auto/support</a>
<b>Knowledgebase</b>	Access Knowledgebase articles.	<a href="http://rok.auto/knowledgebase">rok.auto/knowledgebase</a>
<b>Local Technical Support Phone Numbers</b>	Locate the telephone number for your country.	<a href="http://rok.auto/phonesupport">rok.auto/phonesupport</a>
<b>Literature Library</b>	Find installation instructions, manuals, brochures, and technical data publications.	<a href="http://rok.auto/literature">rok.auto/literature</a>
<b>Product Compatibility and Download Center (PCDC)</b>	Get help determining how products interact, check features and capabilities, and find associated firmware.	<a href="http://rok.auto/pcdc">rok.auto/pcdc</a>

## Documentation Feedback

Your comments help us serve your documentation needs better. If you have any suggestions on how to improve our content, complete the form at [rok.auto/docfeedback](http://rok.auto/docfeedback).





Allen-Bradley, Armor, ArmorBlock, Armor GuardLogix, ArmorPOINT, ArmorStart, ArmorStratix, Compact 5000, CompactLogix, ControlLogix, ControlLogix-XT, Data Highway Plus, DH+, Dynamix, expanding human possibility, Encompass, FactoryTalk, FLEX Ex, FLEX I/O, Guard I/O, GuardLogix, Integrated Architecture, Kinetix, Logix 5000, On-Machine, PanelView, PartnerNetwork, PlantPAx, POINT Guard I/O, POINT I/O, PowerFlex, PowerMonitor, Rockwell Automation, RSFieldbus, Stratix, Studio 5000, Studio 5000 Logix Designer, and SynchLink are trademarks of Rockwell Automation, Inc.

ControlNet, DeviceNet, and EtherNet/IP is a trademark of ODVA, Inc.

Trademarks not belonging to Rockwell Automation are property of their respective companies.

Rockwell Automation maintains current product environmental information on its website at [rok.auto/pec](http://rok.auto/pec).

Rockwell Otomasyon Ticaret A.Ş. Kar Plaza İş Merkezi E Blok Kat:6 34752, İçerenköy, İstanbul, Tel: +90 (216) 5698400 EEE Yönetmeliğine Uygundur

Connect with us.    

**rockwellautomation.com** ————— expanding **human possibility**<sup>™</sup>

AMERICAS: Rockwell Automation, 1201 South Second Street, Milwaukee, WI 53204-2496 USA, Tel: (1) 414.382.2000, Fax: (1) 414.382.4444

EUROPE/MIDDLE EAST/AFRICA: Rockwell Automation NV, Pegasus Park, De Kleetlaan 12a, 1831 Diegem, Belgium, Tel: (32) 2 663 0600, Fax: (32) 2 663 0640

ASIA PACIFIC: Rockwell Automation, Level 14, Core F, Cyberport 3, 100 Cyberport Road, Hong Kong, Tel: (852) 2887 4788, Fax: (852) 2508 1846