



Universal Visible-blade Flange Disconnect Switches Specifications

Bulletin Numbers 1494U, 1494V

Topic	Page
Summary of Changes	2
Catalog Number Explanation	3
Components Product Selection	4
Accessories Product Selection	6
Replacement Parts Product Selection	8
Specifications	9
Approximate Dimensions	10

Summary of Changes

This publication contains the following new or updated information. This list includes substantive updates only and is not intended to reflect all changes.

Topic	Page
Added product images and corrections to product selection tables.	4...8
Added fuse dimensions.	16
Added installation instruction publications to Additional Resources table.	17

This document provides selection and specification information for the Bulletin 1494U and Bulletin 1494V universal visible-blade flange disconnect switches. Universal visible-blade flange disconnect switches can be user- or factory-assembled.

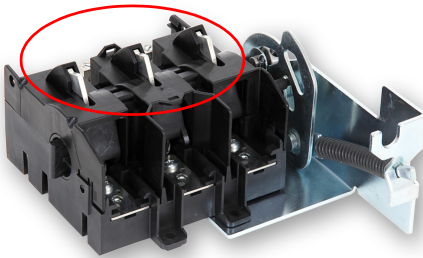
The Allen-Bradley® 1494U universal visible-blade flange disconnect switch provides you with the extra level of visual ON or OFF indication of a knife-blade disconnect design. This disconnect switch addresses needs across industries that have a global customer base by providing UL, CSA, CE and CCC ratings in a single product line. You can choose from fusible or non-fusible versions. These disconnect switches also allow for either rod or cable operation.

Key Features:

- Visual indication of the blades that the switch is ON or OFF
- Globally accepted, designed, and tested to North American and International standards
- Universal mechanism for both flange cable or rod applications, simplifies selection
- Compatible and evaluated for installation in standard Industrial flange enclosure offerings.
- Up to 30% space savings over our previous Bulletin 1494F product
- Fused switch offers choice of J or R class fuse clips
- Flexible cable operator 3, 4, 5 or 6 in. lengths offer greater freedom to locate the switch within the enclosure
- IP20 fuse cover offers line and load finger protection

Visible Blade Construction

- Intuitive visible-blade indication
- Efficient space-saving format



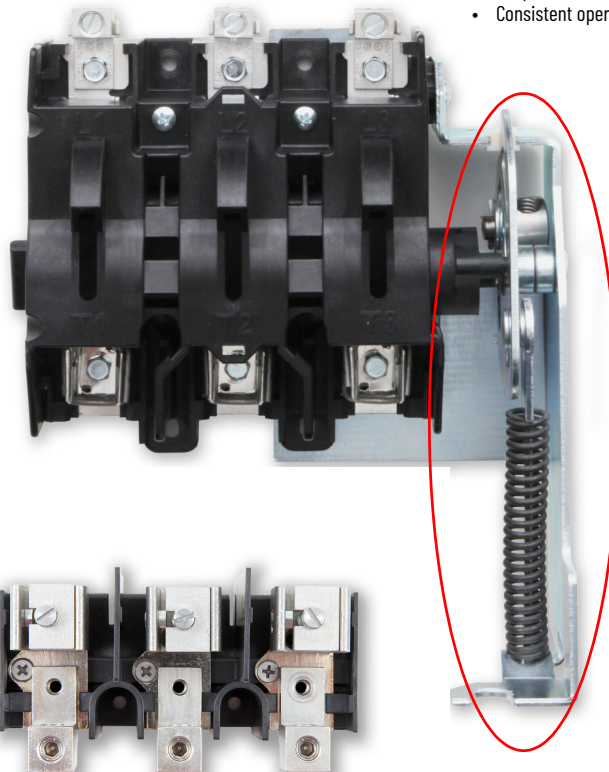
Fuse Blocks

- Common base across 30/60/100 A
- Integrated phase barriers
- J, R-type fuse direct mount options



Universal Mechanism

- Adaptable configuration
- Consistent operation



Catalog Number Explanation

Examples that are given in this section are for reference purposes. This basic explanation should not be used for product selection; not all combinations will produce a valid catalog number.

The examples that are listed represent factory-assembled kits.

1494U	-	R	30	-	C3	-	LA	-	M	-	PC
a		b	c				d				

a	
Bulletin Number	
Code	Description
1494U	Disconnect switch, rod, or cable operated

b	
Fusing ⁽¹⁾	
Code	Description
N	Non-fusible
J	Class J fuse
R	Class R fuse

c	
Switch Rating	
Code	Description
30	30 A
60	60 A
100	100 A
200	200 A
400	400 A
600	600 A

d	
Options ⁽²⁾	
Code	Description
CR	Threaded rod
C3	Cable length – 3 ft (0.91 m)
C4	Cable length – 4 ft (1.2 m)
C5	Cable length – 5 ft (1.5 m)
C6	Cable length – 6 ft (1.8 m)
LA ⁽³⁾	Lugs – Al or Cu wire
LC	Lugs – Cu wire
M	Painted metal handle
N	Non-metallic handle
NC	(1) N.C. auxiliary contact – 10 A
NO	(1) N.O. auxiliary contact – 10 A
NCNO	(1) N.C. and (1) N.O. auxiliary contact – 10 A
NCNC	(2) N.C. auxiliary contact – 10 A
NONO	(2) N.O. auxiliary contact – 10 A
PC	Protective cover – for line and load
S	Stainless handle

- (1) Class H fuse options are not configurable. They must be purchased individually.
30...100A Class J fuses are supplied with fuse clips. 200 A, 400 A are direct mounts, if required, order separately.
- (2) Operating mechanism, lugs, and handle are required selections. Options must be listed in alphabetical order to validate.
- (3) Standard lugs supplied with 30/60/100 A. See [Lug Table](#) for 200/400/600 A lug options.

Lug Table

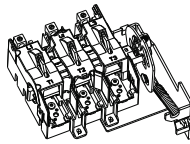
Code	Switch Rating [A]	Conductor Type	Lugs
blank ⁽¹⁾	30	Al	1494U-LA36
	60		
	100		1494U-LA100
LC	200	Cu	1494U-LC200
LA		ALCu	1494U-LA200
LC	400	Cu	1494R-N14
LC1			1494R-N15
LA		Al	1494U-LA400
LC ⁽²⁾	600	Cu	1494R-N10
LCR ⁽³⁾			1494R-N11
LC1 ⁽²⁾			1494R-N12
LA		Al	1494U-LA600

- (1) Supplied with the disconnect switch.
(2) Class J fuses.
(3) Class R fuses.

Components Product Selection

Use the components product selection tables for user-assembled devices.

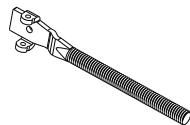
Disconnect Switches



Continuous Current Rating [A] 600V AC 250/600V DC	Maximum Hp - UL and CSA Applications									Maximum kW - IEC Applications (Category AC 23)			Switch with Right-hand Mechanism Cat. No.
	3-Phase, 60 Hz					1 Phase, AC		DC ⁽¹⁾		3-Phase, 50 Hz			
	115V	200...208V	230V	460V	575V	115V	230V	250V	600V	220...240V	380...440V	500...600V	
30	3	7.5	7.5	15	20	2	3	—	15	5.5	11	15	1494U-D30 ⁽²⁾
60	7.5	15	15	30	50	3	10	—	30	11	22	37	1494U-D60 ⁽²⁾
100	—	25	30	60	75	—	—	—	50	22	45	55	1494U-D100 ⁽²⁾
200	—	50...60	60	125	150	—	—	—	40	48	90	110	1494U-D200
400	—	75	125	250	350	—	—	50	—	90	185	257	1494U-D400
600	—	150	200	400	500	—	—	50	—	150	295	375	1494V-DS600

- (1) Ratings are based on two poles in series to break one line of the DC supply voltage and the remaining pole to break the second DC supply line.
- (2) Terminal lugs are installed on the line side of each disconnect switch. Additional terminal lugs are included with each disconnect switch for field installation on the load side of the switch or on the fuse block.

Variable Rod Operator – Rod and Support Bracket

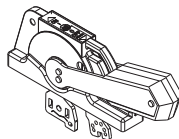


Approximate dimensions are not intended for manufacturing purposes.

Disconnect Switch Size [A]	Enclosure Working Depth [in. (mm)] ⁽¹⁾		Cat. No.
	Minimum	Maximum	
30, 60, 100, 200	6-3/4 (172)	19 (483)	1494U-R1
200	6-3/4 (172)	9-1/8 (232)	1494V-RA3
	9-1/8 (232)	21-5/8 (585)	1494V-RA4
400, 600	9-1/2 (241)	10 (254)	1494V-RB3 ⁽²⁾
	9-1/2 (241)	23 (584)	1494V-RB4 ⁽²⁾

- (1) Enclosure depth is measured from the top of the flange to the disconnect switch mounting surface.
- (2) Kit includes two connecting rods.

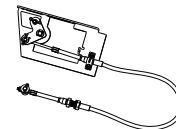
Operating Handles



Handle Type	Description	Mounting	Disconnect Switch Size [A]	Cat. No.
Type 1, 3R, 4, 4X, 12	Nonmetallic	Right or Left Flange	30, 60, 100, 200	1494U-HP ⁽¹⁾
				1494F-P1
Type 1, 3R, 4, 12	Painted Metal		30, 60, 100, 200	1494U-HM ⁽¹⁾
				1494F-M1
Type 4, 4X	Stainless		30, 60, 100, 200	1494F-M2 ⁽¹⁾
				1494U-HS ⁽¹⁾
		400, 600	1494F-S1	
		400, 600	1494F-S2 ⁽¹⁾	

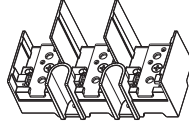
- (1) Kits include the listed operating handle type.

Cable Operator – Mechanism and Cable



Disconnect Switch Size [A]	Cable Length [ft (m)]	Right-hand Cable Mechanism Cat. No.
30, 60, 100	3 (0.91)	1494U-C313
	4 (1.22)	1494U-C314
	5 (1.52)	1494U-C315
	6 (1.83)	1494U-C316
200	4 (1.22)	1494U-C24
	5 (1.52)	1494U-C25
	6 (1.83)	1494U-C26
400	4 (1.22)	1494U-C44
	5 (1.52)	1494U-C45
	6 (1.83)	1494U-C46
600	4 (1.22)	1494U-C64
	5 (1.52)	1494U-C65
	6 (1.83)	1494U-C66

Trailer Fuse Block Kits



Disconnect Switch Size [A]	Fuse	Cat. No.
30	See Fuse Clip Kits	1494U-F30
60		1494U-F60
100		1494U-F100
200		1494U-F200
400		1494U-F400
600	Class J	1494V-FS600
	Class H	1491-N621 ⁽¹⁾
	Class R	1491-R621 ⁽¹⁾

(1) Separately mounted fuse blocks (3 are required).

Fuse Clip Kits



Fuse Class	Fuse Clip Rating [A]		Cat. No. ⁽¹⁾
	250V	600V	
H	30	—	1494U-FC302J
	60	30	1494U-FC30J
	—	60	1494U-FC60J
	100	100	1494U-FC100J
	200	200	1401-N45
	400	400	1401-N46
	600	600	—
J	30	—	1494U-FC302J
	60	30	1494U-FC30J
	—	60	1494U-FC60J
	100	100	1494U-FC100J ⁽²⁾
	200	200	1401-N45 ⁽²⁾
	400	400	1401-N46 ⁽²⁾
	600	600	—
R	30	—	1494U-FC302R
	60	30	1494U-FC30R
	—	60	1494U-FC60R
	100	100	1494U-FC100R
	200	200	1401-N54
	400	400	1401-N55
	600 ⁽³⁾	600 ⁽³⁾	—

(1) Six clips included per kit.

(2) Fuse clips are not required when bolted to a terminal.

(3) Included with Bulletin 1491 separately mounted fuse blocks.

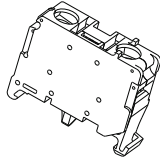


See [Fuses on page 17](#) for approximate fuse dimensions.

Accessories Product Selection

Optional accessories are available for all universal disconnect sizes.

Auxiliary Contacts and Electrical Interlocks



Auxiliary contacts indicate the ON/OFF status of the Bulletin 1494U disconnect switch and duplicate the position of the switch blades. Electrical Interlock - early break contacts are used to remove system voltage from electronics that could be damaged by transient voltage caused by the opening of the switch.

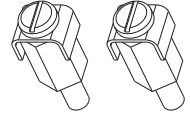
Disconnect Switch Size [A]	Description	Cat. No.
Auxiliary Contacts		
30...200	1 N.O., 10 A rated, A600, Q600, standard contact	1494U-NO
	1 N.C., 10 A rated, A600, Q600, standard contact	1494U-NC
	1 N.O. low voltage, 2.5 A rated, C300, R150, QuadConnect™ contact	1494U-NOLV
	1 N.C. low voltage, 2.5 A rated, C300, R150, QuadConnect contact	1494U-NCLV
400	1 N.O., 10 A rated, A600, Q600, standard contact	1495-N8
	1 N.C., 10 A rated, A600, Q600, standard contact	1495-N9
600	1 N.O., 10 A rated, A600, Q600, standard contact	595-A
	1 N.C., 10 A rated, A600, Q600, standard contact	595-B
	Contact Adapter Kit ⁽¹⁾	595-N1
Electrical Interlocks⁽²⁾		
30...100	2 N.O., early break, 10 A rated, 250V AC/DC	1494U-AE
400	1 N.O. and 1 N.C., early break, right-hand mechanism	1495-N43
600		1495-N34 ⁽³⁾
200	2 N.O. and 2 N.C., early break, standard contact	1494U-AE200
400	2 N.O. and 2 N.C., early break, right-hand mechanism	1495-N44
600		1495-N35 ⁽¹⁾

(1) One adapter kit required per auxiliary contact.

(2) Not configurable; must be purchased individually.

(3) Additional adapter kit Cat. No. 1495-N36 is required for installation.

Control Voltage Taps

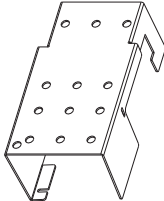
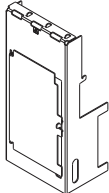


Control voltage taps allow two wires (maximum of 8 AWG, copper) to be installed on the line side or load side of the disconnect switch. These taps are typically used as termination for the primary side of a control voltage transformer, with the secondary providing control voltage power to the panel.

Disconnect Switch Size [A]	Description	Cat. No.
30...100	Control Voltage Tap (2 per package)	1494U-ALT31
200		1494U-ALT200
400		1494R-N19
600		1494U-ALT600

Fuse Covers

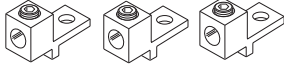
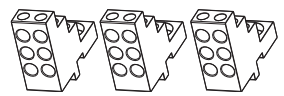
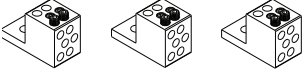
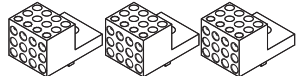
Our standard fuse cover offers front and side protection from incidental contact. IP20 cover protects against objects larger than 12 mm (contact with the finger, or similar objects with a maximum 80 mm length). IP1XB cover protects against objects greater than 50 mm (contact with the hand).

	Disconnect Switch Size [A]	Fuse Class	Fuse Clip Rating		Use with Fuse Clips	Fuse Cover Cat. No.	IP20 and IP1XB Fuse Cover Cat. No.
			250V	600V			
	30, 60, 100	Non-fusible	—	—	—	1494U-PC1	1494U-PC2-IP20
	30	H, J	30 A	—	1494U-FC302J		
	30	R	30 A	—	1494U-FC302R		
	30	H, J	—	30 A	1494U-FC30J	1494U-PC2	
	60	H, J	—	60 A	1494U-FC60J		
	100	H, J	—	100 A	1494U-FC100J		
	30	R	—	30 A	1494U-FC30R	1494U-PC2	
	60	R	—	60 A	1494U-FC60R		
	100	R	—	100 A	1494U-FC100R		
	200	H, J	200 A	200 A	1401-N45	1494U-PC200	1494U-PC200-IP20
	200	R	200 A	200 A	1401-N54		
	400	H, J	400 A	400 A	1401-N46	1494U-PC400	1494U-PC400-IP1XB
	400	R	400 A	400 A	1401-N55		
	600	Non-fusible	—	—	—	1495-N61	—
	600	H, J	400 A	400 A	1401-N46		
	600	R	400 A	400 A	1401-N55		
	600	J	600 A	600 A	— ⁽¹⁾		
	600	H, R	600 A	600 A	1491-R621 1491-N621	1495-N69 ⁽²⁾	

(1) Fuse clips are not required when bolted to the terminals.

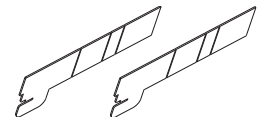
(2) For use with separately mounted fuse blocks. See publication [1495-IN012](#).

Terminal Lug Connectors

	Disconnect Switch Size [A]	Conductor Type	Number of Conductors	Wire Size [AWG]	Cat. No. (Pkg. Qty. = 3)	
	30...60	Cu wire	1	14...4	1494U-LC36	
			2	14...8		
			4	16		
		Cu wire	1	14...2	1494U-LA36	
			Al wire	1		12...2
			2 ⁽¹⁾	14...10		
	100	Cu wire	1	8...1/0	1494U-LC100	
			1	14...1/0	1494U-LA100	
Al wire		1	12...1/0			
2 ⁽¹⁾		12...4				
200	Cu wire	1	6...250 MCM	1494U-LC200		
	Cu or Al wire	1	6...250 MCM	1494U-LA200		
400	Cu wire	2	1/0...250 MCM	1494R-N14		
	Cu or Al wire	2	1/0...300 MCM	1494U-LA400		
	Cu wire	1	4/0...500 MCM	1494R-N15 ⁽²⁾		
600	Cu wire	2	1/0...350 MCM (Class J fuse)	1494R-N10		
	Cu wire	2	1/0...350 MCM (Class H/R fuse)	1494R-N11 ⁽³⁾		
	Cu wire	1	1/0...500 MCM	1494R-N12 ⁽³⁾		
	Cu or Al wire	2	1/0...500 MCM	1494U-LA600		
Multiple Cable Terminal Lugs for multiple motor application (load side only)						
	30...100	Cu wire	6	14...4	1494U-LM31	
		Al wire	6	12...4		
		Cu or Al wire	6 ⁽⁴⁾	(2) 10		
	200	Cu or Al wire	6	14...4	1494U-LM200	
	400	Cu or Al wire	12	14...4	1494U-LM400	
	600	Cu or Al wire	12	14...10	1494U-LM600	

- (1) Wire pairs must be consistent in type, strand, and wire size.
- (2) When the 1494R-N15 lug kit is used the switch is not to exceed a load current of 380 A.
- (3) For use with Cat. No. 1491-N621 or 1491-R621 separately mounted fuse blocks. Package Qty 2.
- (4) Allows for (2) #10 (Cu or Al) per terminal

Replacement Parts Product Selection

	Description	Cat. No.
	Hardware Kit for 30...100 A Disconnect Switches-The kit includes (4) mounting screws and (1) line-side shield.	1494U-K31
	Hardware Kit for 30...100 A Fuse Blocks-The kit includes (2) mounting screws and (2) phase barriers.	1494U-PB31
	200 A Phase Barrier	1494U-PB200

Specifications

Auxiliary Contact Electrical Ratings							
Standard Contact 1 N.O. or 1 N.C.	NEMA/EEMAC	A600 ⁽²⁾ , Q600					
	IEC	AC 15, DC 13 to IEC/EN60947-5-1 and UL 508, 17V, 5 mA minimum					
Low-Level Contact 1 N.O. or 1 N.C.	NEMA/EEMAC	C300, R150					
	IEC	AC 15, DC 13 to IEC/EN60947-5-1 and UL 508, 5V, 1 mA minimum					
Electrical Interlock Ratings							
Standard Contact 2 N.O.	NEMA/EEMAC	10 A: 250V AC, 0.3 A: 250V DC					
Mechanical							
Degree of Protection	Operating handles	Non-metallic Type 1, 3R, 4, 4X, 12 Painted Type 1, 3R, 4, 12 Stainless Type 4, 4X				Painted Type 1, 3R, 4, 12 Stainless Type 4, 4X	
Switch Size		30 A	60 A	100 A	200 A	400 A	600 A
Mechanical Life (typical operations)		10 000			8000	6000	5000
Switching Frequency (operations/min), maximum		6			5	4	3
Environmental							
Ambient Temperature	Open	-20...+60 °C (-4...+140 °F)					
	Enclosed	-20...+40 °C (-4...+104 °F)					
	Storage	-40...+65 °C (-40...+149 °F)					
Altitude (per IEC 947-1)		2000 m (6562 ft)					
Relative Humidity (per IEC 947-1)		90% at 20 °C (68 °F) and 50% at 40 °C (104 °F)					
Design Specification/Test Requirements							
Dielectric Strength		2200V for 1 minute					
Short-circuit Withstand Capability		10 000 A, 600V AC/DC: unfused or with Class H fuses 10 000 A, 600V DC: with Class J or Class R fuses 200 000 A, 600V AC: with Class J or Class R fuses					
Construction							
Switch Body Material		Glass-filled thermoplastic				Glass-filled thermoset plastic	
Switch Size		30 A	60 A	100 A	200 A	400 A	600 A
Conductor Size		See Replacement Parts Product Selection on page 8 .					
Torque ⁽¹⁾	Conductor into lug	45 lb•in 20 lb•in	45 lb•in 50 lb•in	150 lb•in 90 lb•in	275 lb•in 175 lb•in	275 lb•in 175 lb•in	275 lb•in 275 lb•in
Switches, Mechanisms, and Accessory Kits		Zinc-plated steel, RoHS Compliant finish					

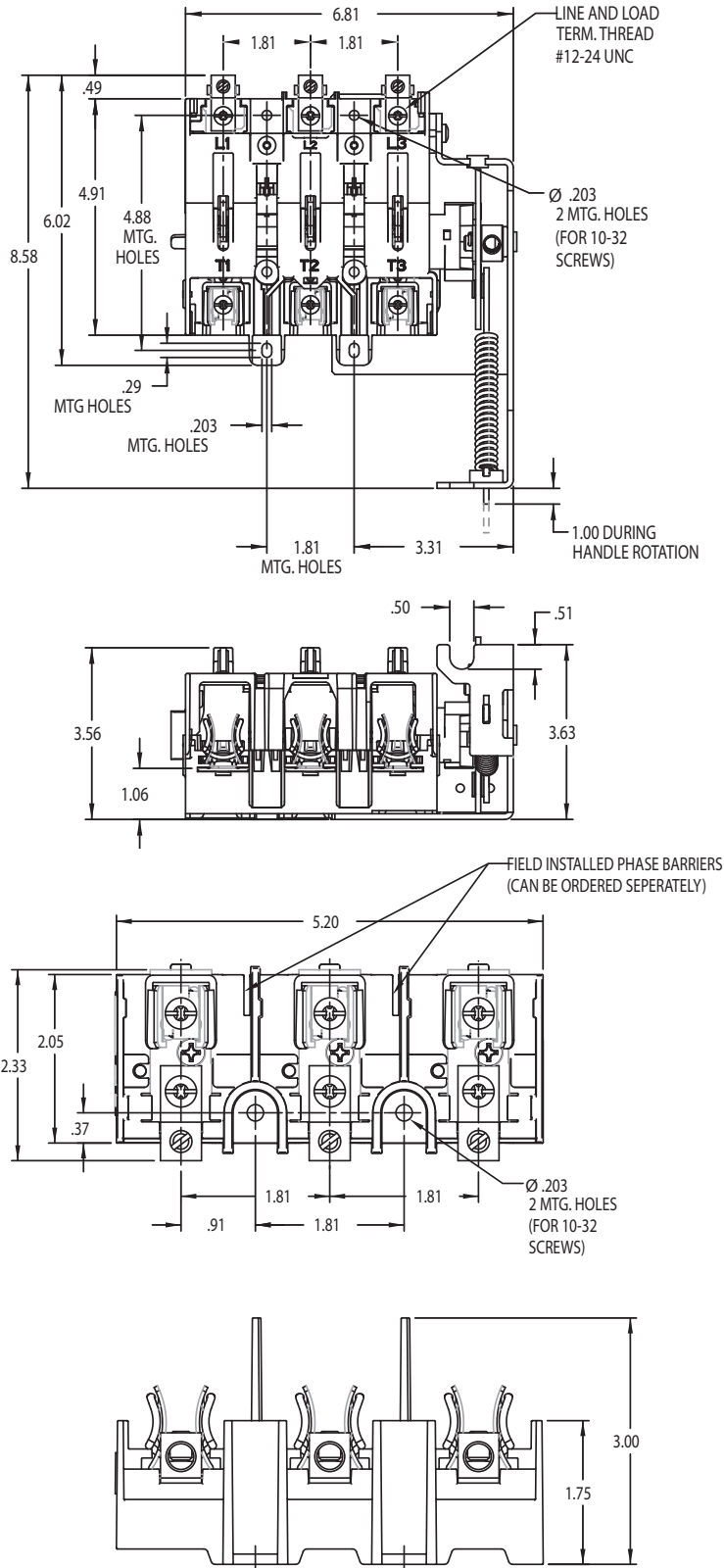
(1) See lug instructions or switch label for actual torque values.

(2) The rating for 1 N.O., 200 A is B600.

Approximate Dimensions

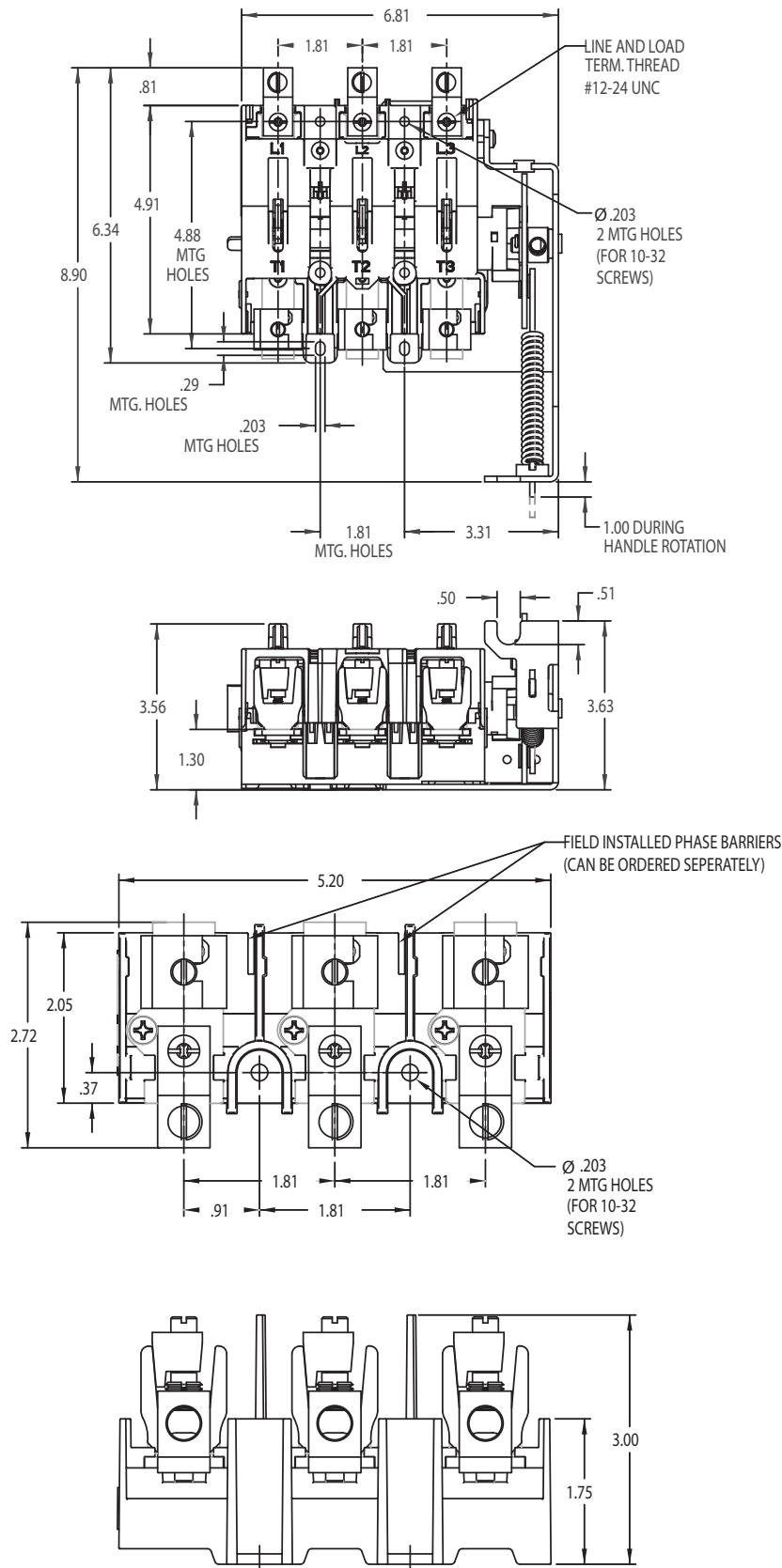
Universal Disconnect Switch and Fuse Block, 30...60 A

Approximate dimensions are shown in inches. Dimensions are not intended to be used for manufacturing purposes.



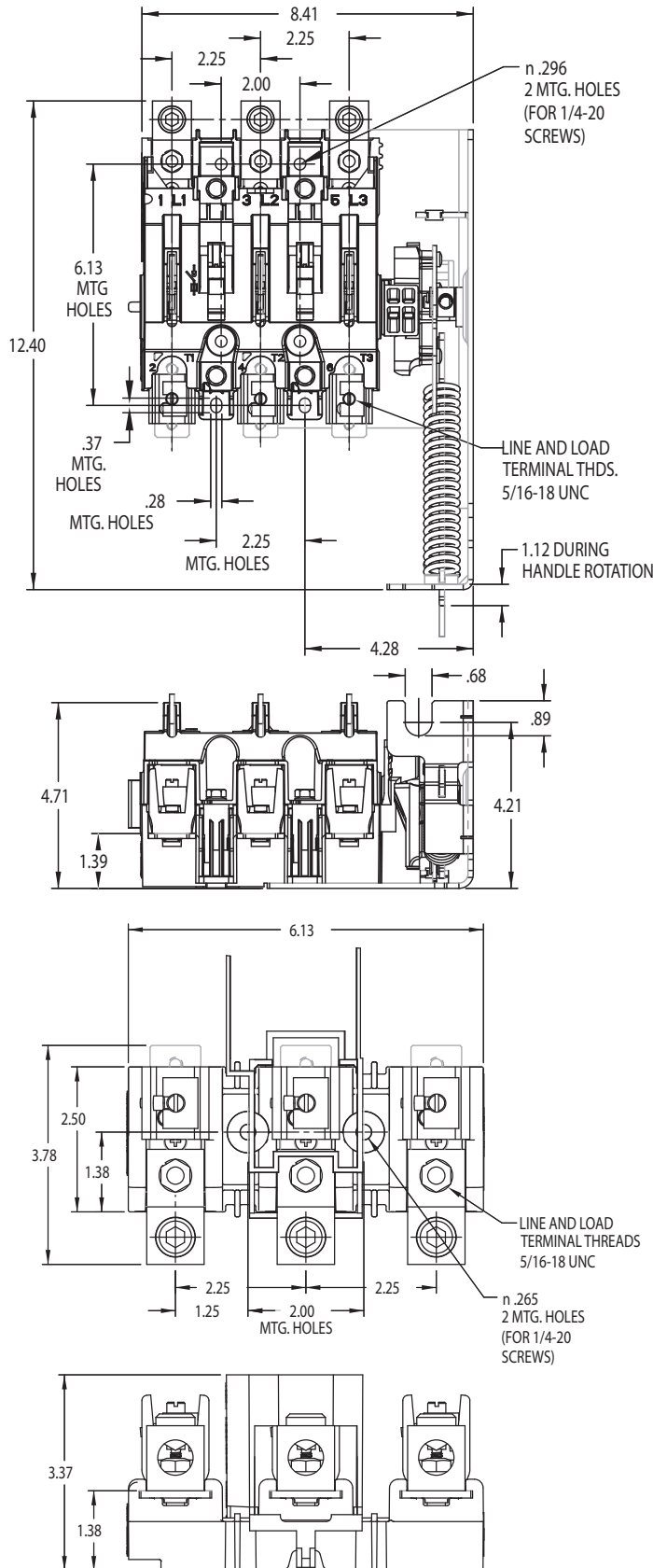
Universal Disconnect Switch and Fuse Block, 100 A

Approximate dimensions are shown in inches. Dimensions are not intended to be used for manufacturing purposes.



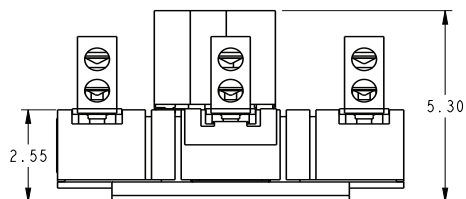
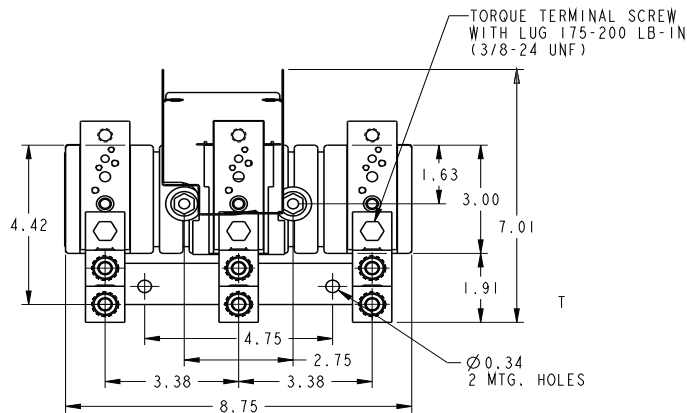
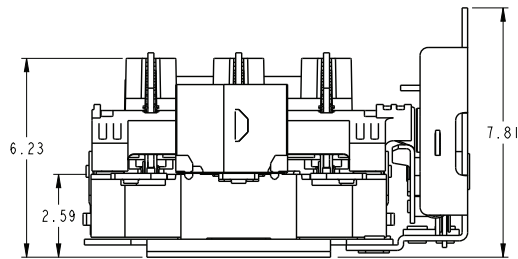
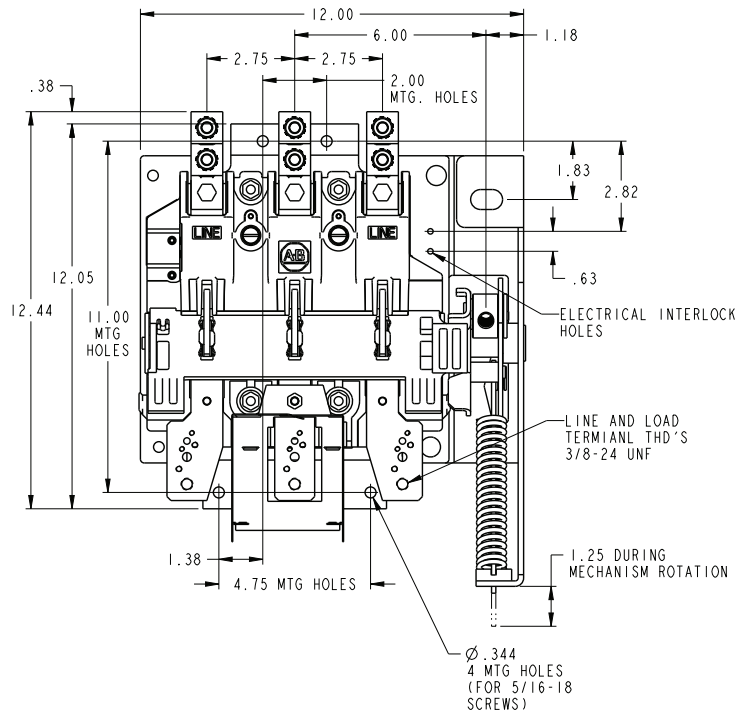
Universal Disconnect Switch and Fuse Block, 200 A

Approximate dimensions are shown in inches. Dimensions are not intended to be used for manufacturing purposes.



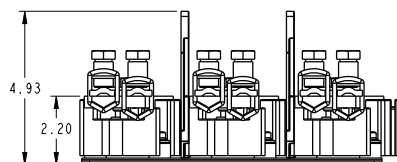
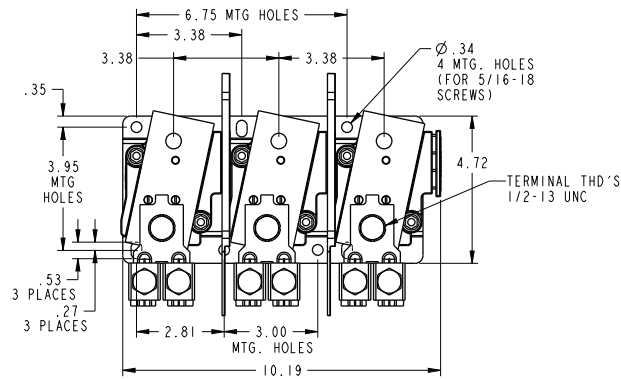
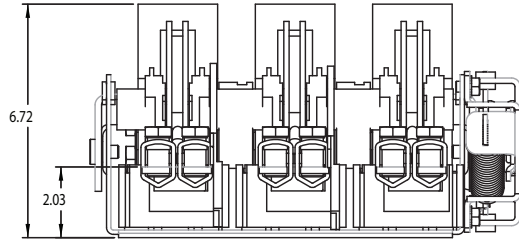
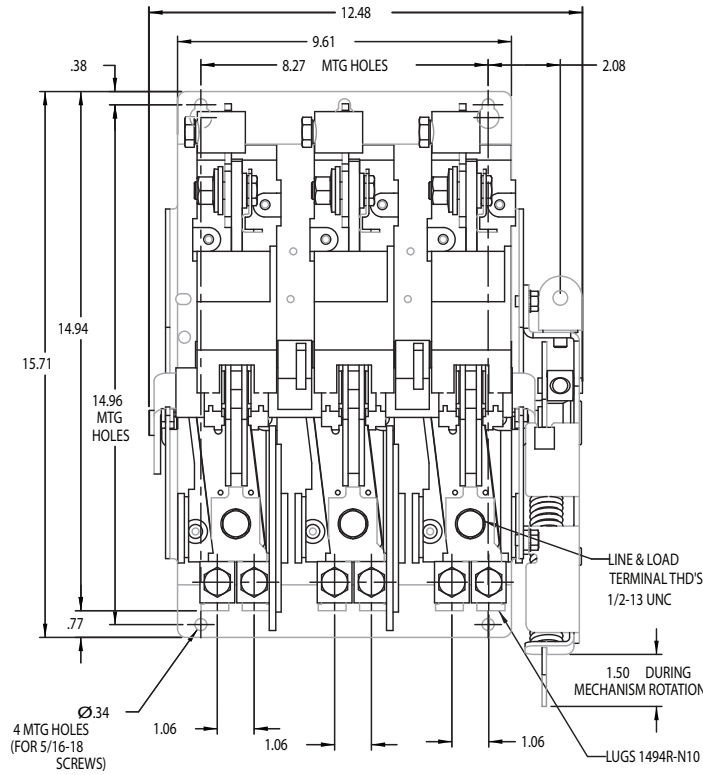
Universal Disconnect Switch and Fuse Block, 400 A

Approximate dimensions are shown in inches. Dimensions are not intended to be used for manufacturing purposes.



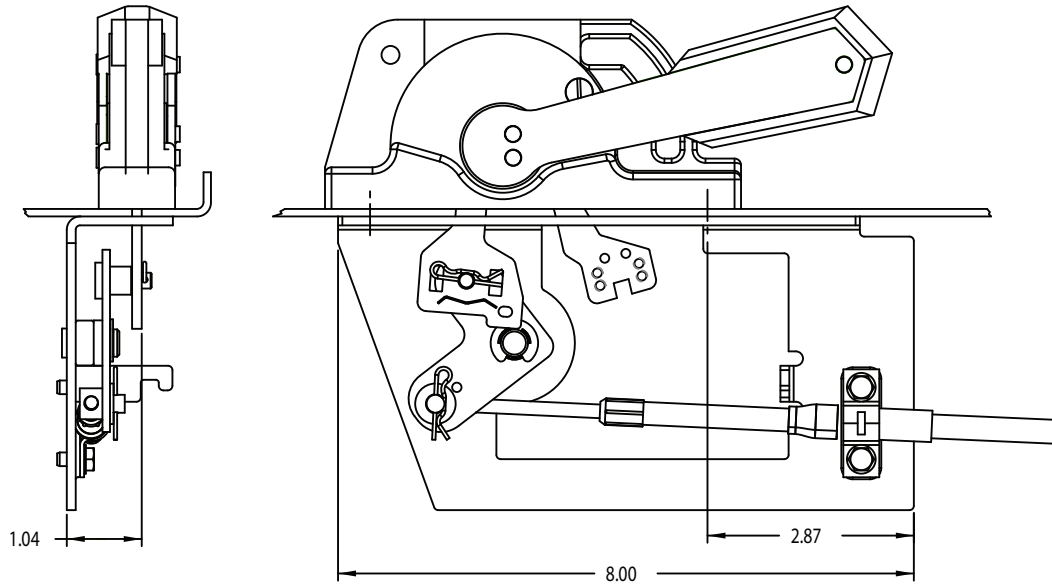
Universal Disconnect Switch and Fuse Block, 600 A

Approximate dimensions are shown in inches. Dimensions are not intended to be used for manufacturing purposes.



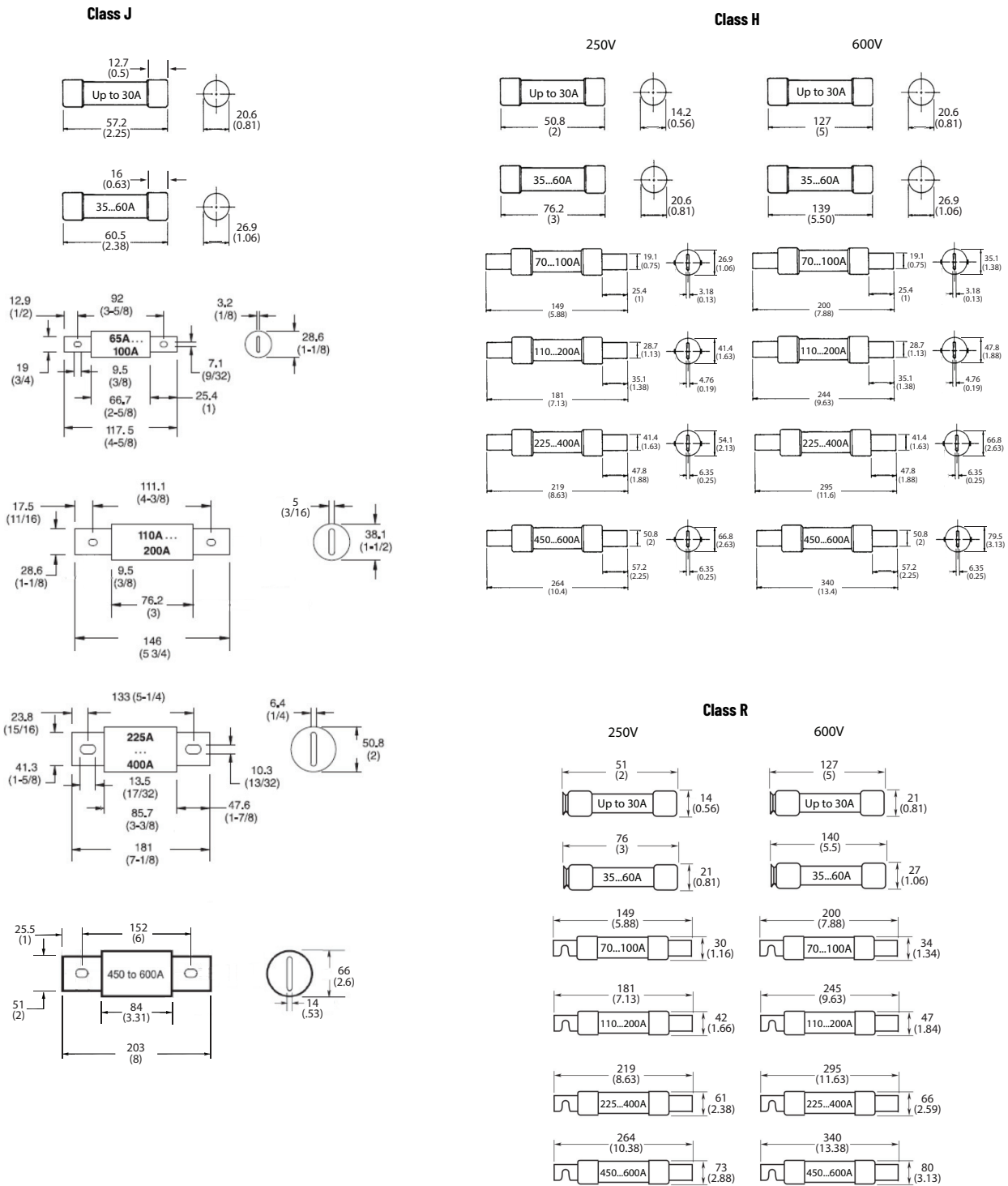
Universal Handle with Support Bracket, 30...200 A

Approximate dimensions are shown in inches. Dimensions are not intended for to be used manufacturing purposes.



Fuses

Approximate dimensions are shown in inches. Dimensions are not intended for to be used manufacturing purposes.



Additional Resources

These documents contain additional information concerning related products from Rockwell Automation.

Resource	Description
Installing Your Main Disconnect Handle Just Became Easy, publication 1494U-AT001	Provides information for disconnect handle installation.
Universal Disconnect Switch Installation Instructions (30A, 60A, 100A), publication 1494U-IN001	Provides information for 30, 60, and 100 A disconnect switch installation.
Universal Disconnect Switch Installation Instructions (200A), publication 1494U-IN007	Provides information for 200 A disconnect switch installation.
IP20 Protective Cover Installation Instructions (200A), publication 1494U-IN009	Provides information for IP20 protective cover installation.
IP1XB Protective Cover Installation Instructions (400A), publication 1494U-IN010	Provides information for IP1XB protective cover installation.
Universal Disconnect Switch Installation Instructions (400A), publication 1494U-IN012	Provides information for 400 A disconnect switch installation.
Universal Disconnect Switch Installation Instructions (600A), publication 1494V-IN028	Provides information for 600 A disconnect switch installation.
Fuse Cover with Door Installation Bulletin 1494V Disconnect Switch - 400 / 600 A, publication 1495-IN003	Provides information for fuse cover with door installation.
Installation Instructions for Bulletin 1495 Protective Fuse Cover for use with Separately Mounted 1491-N621 or 1491-R621 (600 A) Fuse Block Kits, publication 1495-IN012	Provides information for fuse cover installation.
Fuse Blocks - 201 Through 600 Amperes/250-600 Volts Dimensions, publication 1491-DS003	Provides information for Cat. No. 1491-N621 or 1491-R621 installation.
UL Standards Listing for Industrial Control Products, publication CMPNTS-SR002	Assists original equipment manufacturers (OEMs) with construction of panels, to help ensure that they conform to the requirements of Underwriters Laboratories.
American Standards, Configurations, and Ratings: Introduction to Motor Circuit Design, publication IC-AT001	Provides an overview of American motor circuit design based on methods that are outlined in the NEC.
Industrial Components Preventive Maintenance, Enclosures, and Contact Ratings Specifications, publication IC-TD002	Provides a quick reference tool for Allen-Bradley industrial automation controls and assemblies.
Safety Guidelines for the Application, Installation, and Maintenance of Solid-state Control, publication SGI-1.1	Designed to harmonize with NEMA Standards Publication No. ICS 1.1-1987 and provides general guidelines for the application, installation, and maintenance of solid-state control in the form of individual devices or packaged assemblies incorporating solid-state components.
Industrial Automation Wiring and Grounding Guidelines, publication 1770-4.1	Provides general guidelines for installing a Rockwell Automation industrial system.
Product Certifications website, rok.auto/certifications .	Provides declarations of conformity, certificates, and other certification details.

You can view or download publications at rok.auto/literature.

Rockwell Automation Support

Use these resources to access support information.

Technical Support Center	Find help with how-to videos, FAQs, chat, user forums, and product notification updates.	rok.auto/support
Knowledgebase	Access Knowledgebase articles.	rok.auto/knowledgebase
Local Technical Support Phone Numbers	Locate the telephone number for your country.	rok.auto/phonesupport
Literature Library	Find installation instructions, manuals, brochures, and technical data publications.	rok.auto/literature
Product Compatibility and Download Center (PCDC)	Download firmware, associated files (such as AOP, EDS, and DTM), and access product release notes.	rok.auto/pcdc





Documentation Feedback

Your comments help us serve your documentation needs better. If you have any suggestions on how to improve our content, complete the form at rok.auto/docfeedback.

Allen-Bradley, expanding human possibility, QuadConnect, and Rockwell Automation are trademarks of Rockwell Automation, Inc. Trademarks not belonging to Rockwell Automation are property of their respective companies.

Rockwell Automation maintains current product environmental compliance information on its website at rok.auto/pec.

Rockwell Otomasyon Ticaret A.Ş. Kar Plaza İş Merkezi E Blok Kat:6 34752, İçerenköy, İstanbul, Tel: +90 (216) 5698400 EEE Yönetmeliğine Uygundur

Connect with us.    

rockwellautomation.com ————— expanding **human possibility**[®]

AMERICAS: Rockwell Automation, 1201 South Second Street, Milwaukee, WI 53204-2496 USA, Tel: (1) 414.382.2000, Fax: (1) 414.382.4444

EUROPE/MIDDLE EAST/AFRICA: Rockwell Automation NV, Pegasus Park, De Kleetlaan 12a, 1831 Diegem, Belgium, Tel: (32) 2 663 0600, Fax: (32) 2 663 0640

ASIA PACIFIC: Rockwell Automation, Level 14, Core F, Cyberport 3, 100 Cyberport Road, Hong Kong, Tel: (852) 2887 4788, Fax: (852) 2508 1846

Publication 1494U-TD001C-EN-P - February 2022

Supersedes Publication 1494U-TD001B-EN-P - April 2020

Copyright © 2022 Rockwell Automation, Inc. All rights reserved. Printed in the U.S.A.