

Model 622

Current Transformer Window Diameter 5.25"

Application

Relaying and metering.

Frequency

50-400 Hz.

Insulation Level

600 Volts, 10 kV BIL full wave.

Continuous Thermal Current Rating Factor

50:5-4000:5: 1.33 at 30°C. amb., 1.0 at 55°C. amb.

5000:5: 1.0 at 30°C. amb., 0.8 at 55°C. amb.

Secondary terminals are brass screws No. 10-32 with one flatwasher, lockwasher, accessible from either side.

Multi-ratios available on request.
Consult Factory

Approximate weight 31 lbs.



REGULATORY AGENCY APPROVALS



Manufactured to meet the requirements of ANSI/IEEE C57.13.
Classified by U.L. in accordance with IEC 44-1

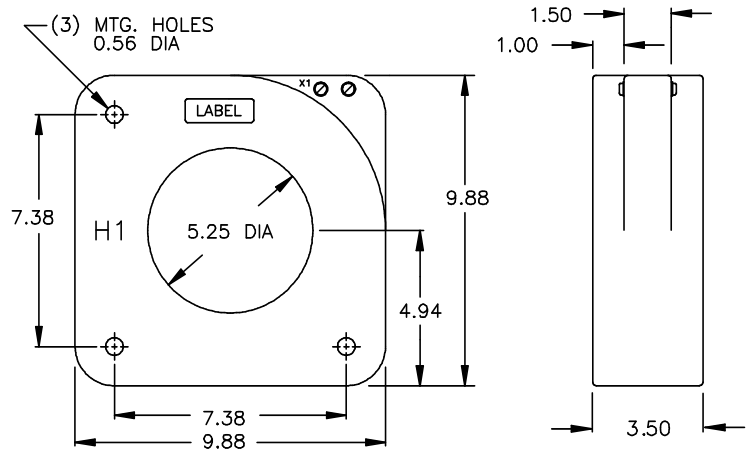
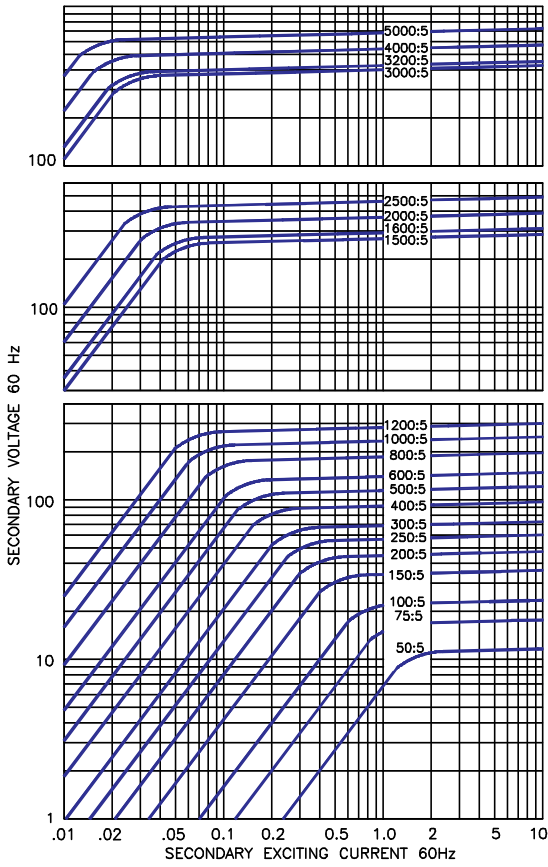
Model 622

Catalog Number	Current Ratio	Relay Class	ANSI Metering Class at 60 HZ					Secondary Winding Resistance (Ω @ 75°C)
			BO.1	BO.2	BO.5	BO.9	B1.8	
622-500	50:5	C10	2.4	4.8	—	—	—	0.017
622-750	75:5	C10	1.2	2.4	4.8	—	—	0.026
622-101	100:5	C20	0.6	1.2	4.8	4.8	—	0.034
622-151	150:5	C20	0.6	0.6	1.2	2.4	4.8	0.054
622-201	200:5	C20	0.3	0.3	0.6	1.2	2.4	0.071
622-251	250:5	C50	0.3	0.3	0.6	0.6	1.2	0.089
622-301	300:5	C50	0.3	0.3	0.6	0.6	1.2	0.107
622-401	400:5	C100	0.3	0.3	0.3	0.6	0.6	0.143
622-501	500:5	C100	0.3	0.3	0.3	0.6	0.6	0.179
622-601	600:5	C100	0.3	0.3	0.3	0.3	0.3	0.214
622-801	800:5	C200	0.3	0.3	0.3	0.3	0.3	0.286
622-102	1000:5	C200	0.3	0.3	0.3	0.3	0.3	0.357
622-122	1200:5	C200	0.3	0.3	0.3	0.3	0.3	0.429
622-152	1500:5	C200	0.3	0.3	0.3	0.3	0.3	0.497
622-162	1600:5	C200	0.3	0.3	0.3	0.3	0.3	0.531
622-202	2000:5	C200	0.3	0.3	0.3	0.3	0.3	0.663
622-252	2500:5	C400	0.3	0.3	0.3	0.3	0.3	0.829
622-302	3000:5	C400	0.3	0.3	0.3	0.3	0.3	0.919
622-322	3200:5	C400	0.3	0.3	0.3	0.3	0.3	0.980
622-402	4000:5	C400	0.3	0.3	0.3	0.3	0.3	1.531
622-502	5000:5	C400	0.3	0.3	0.3	0.3	0.3	1.999



Model 622

EXCITATION CURVE



GEGridSolutions.com

Grid-AIS-L4-ITL_Model_622-1353-2017_06-EN. © Copyright 2017. General Electric Company and Instrument Transformers LLC reserve the right to change specifications of described products at any time without notice and without obligation to notify any person of such changes.

Worldwide Contact Center

Web: www.GEGridSolutions.com/contact

Phone: +44 (0) 1785 250 070

USA and Canada: +1 (0) 800 547 8629

Europe, Middle East and Africa: +34 (0) 94 485 88 00

