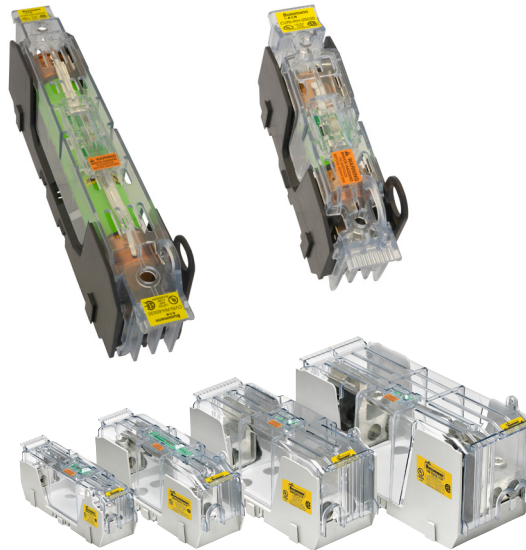


Class R 250 V and 600 V modular ferrule and knifeblade fuse blocks



Knifeblade fuse blocks from 100 to 600 amps feature phase barriers between poles for additional safety with up to four mounting holes per pole increase installation flexibility. All knifeblade blocks meet UL creep and clearance requirements for Industrial Power Circuits (UL 508 and UL 845).

Additionally, the 200 to 600 amp blocks meet the higher UL creep and clearance requirements for Power Distribution Standards (UL 98, UL 67, UL 489, UL 891 and UL 869A)

All blocks have optional IP20 finger-safe high clarity, see-through covers for inspecting wire terminations or thermography measurements without removal. All covers enhance safety by featuring probe holes for easier, safer testing and a lockout/tagout capability. These covers also have optional open fuse indication to speed troubleshooting.

Easy circuit identification is available for 30 and 60 amp blocks and covers with universal marker labels.

Catalog symbol:

- RM25_ (250 V)
- RM60_ (600 V)

Description:

Bussmann™ series Class R modular fuse blocks increase versatility, reduce labor and enhance safety for any panel or electrical system design. Available for the full Class R fuse amp range.

These fuse blocks feature a standard fuse clip reinforcing spring for enhanced electrical contact between the block and fuse. All blocks are available as single-pole versions that snap together for the required number of poles, or as factory configured 2-, and 3-pole versions to meet stocking requirements.

The modular design permits reducing inventory, assembly time and labor with tool-less assembly of multiple poles at point of use.

Ferrule fuse blocks up to 60 amps save panel space with the smallest width dimension on the market and feature DIN-Rail and panel mount versatility so that one product can be used for multiple applications with lower inventory cost.

Specifications:

Ratings

- Volts
 - 250 V
 - 600 V
- Amps up to 600
- Withstand 200 kA RMS Sym.

Agency information

- Blocks:
 - UL® Listed E14853 — IZLT and IZLT7
 - CSA® Certified 47235-6225-01
 - CE
 - RoHS Compliant
 - REACH declaration available upon request
- Covers:
 - UL Listed E58836 - JDVS
 - CSA Certified 47235-6225-01 (30 and 60 A)
 - RoHS Compliant
 - REACH declaration available upon request



Powering Business Worldwide

Poles

- 1-, 2-, 3-pole units factory assembled
- Single-pole units snap together to create desired number of poles

Flammability ratings

- Blocks: UL 94V0, self-extinguishing
- Covers: UL 94HB, self-extinguishing

Operating and storage temperature range

- Blocks -40°C to +120°C
- Covers
 - Non-Indicating -40°C to +120°C
 - Indicating -20°C to +90°C*

* Indication requires minimum 90 V and closed circuit to illuminate.

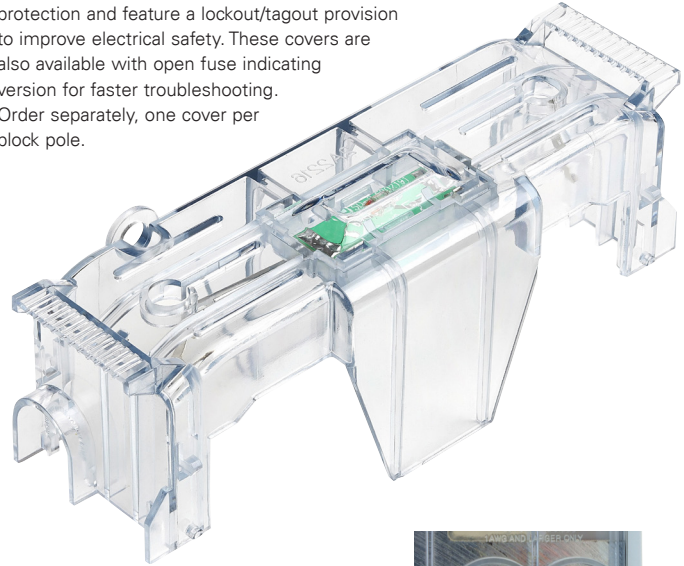
Materials

- Base: Thermoplastic
- Terminals
 - Tin-plated copper brass (30 and 60 A)
 - Tin-plated aluminum (box lug)
- Covers: Thermoplastic

Conductors

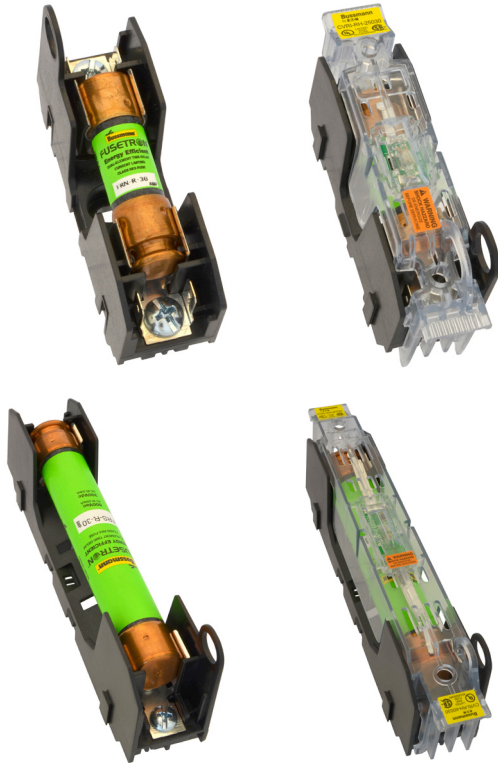
- See catalog numbers for details and torque specifications

Optional see-through covers provide IP20 finger-safe protection and feature a lockout/tagout provision to improve electrical safety. These covers are also available with open fuse indicating version for faster troubleshooting. Order separately, one cover per block pole.



Dual lugs on 600 A blocks for easier wiring using two, smaller conductors.

Class R ferrule fuse blocks



30 and 60 amp ferrule fuse blocks have DIN-rail and panel mounting capability, the modular designs allows blocks to snap together for the desired number of poles. They accept optional snap-on covers for IP20 finger-safe protection and feature a lockout/tagout to improve electrical safety.

Class R knifeblade fuse blocks



100 to 600 amp knifeblade fuse blocks are panel mount with multiple holes for installation flexibility and the modular design allows blocks to snap together for the desired number of poles. They accept optional snap-on covers for IP20 finger-safe protection and feature a lockout/tagout provision to improve electrical safety.

Table 1: Class R 250 V 30 and 60 amp block catalog numbers

Fuse amp range	Poles	Terminal type				Optional covers*		
		Box lug/ slot screw	Box lug/ hex screw	#10-32 Phil-slot screw	Screw with quick-connect	Pressure plate	Indicating**	Non-indicating
Up to 30	1	RM25030-1CR	RM25030-1CHR	RM25030-1SR	RM25030-1QR	RM25030-1PR	CVRI-RH-25030	CVR-RH-25030
	2	RM25030-2CR	RM25030-2CHR	RM25030-2SR	RM25030-2QR	RM25030-2PR		
	3	RM25030-3CR	RM25030-3CHR	RM25030-3SR	RM25030-3QR	RM25030-3PR		
35 to 60	1	RM25060-1CR	RM25060-1CHR	—	—	—	CVRI-RH-25060	CVR-RH-25060
	2	RM25060-2CR	RM25060-2CHR	—	—	—		
	3	RM25060-3CR	RM25060-3CHR	—	—	—		

* Covers sold separately, order one cover per pole.

** Open fuse indication requires 90 volts minimum and closed circuit to operate.

Table 2: Class R 250 V 30 and 60 amp block terminals and conductors

Terminal type	AWG type/ range	AWG	Torque N·m (lb-in)
Box lug	75°C Cu 2-14, AL 2-8	2-3	5.6 (50)
		4-6	5.1 (45)
		8	4.5 (40)
		10-14	4.0 (35)
#10-32 Phil-slot screw			
Screw with quick-connect*	75/90°C Cu 10-18	10-18	2.3 (20)
Pressure plate			

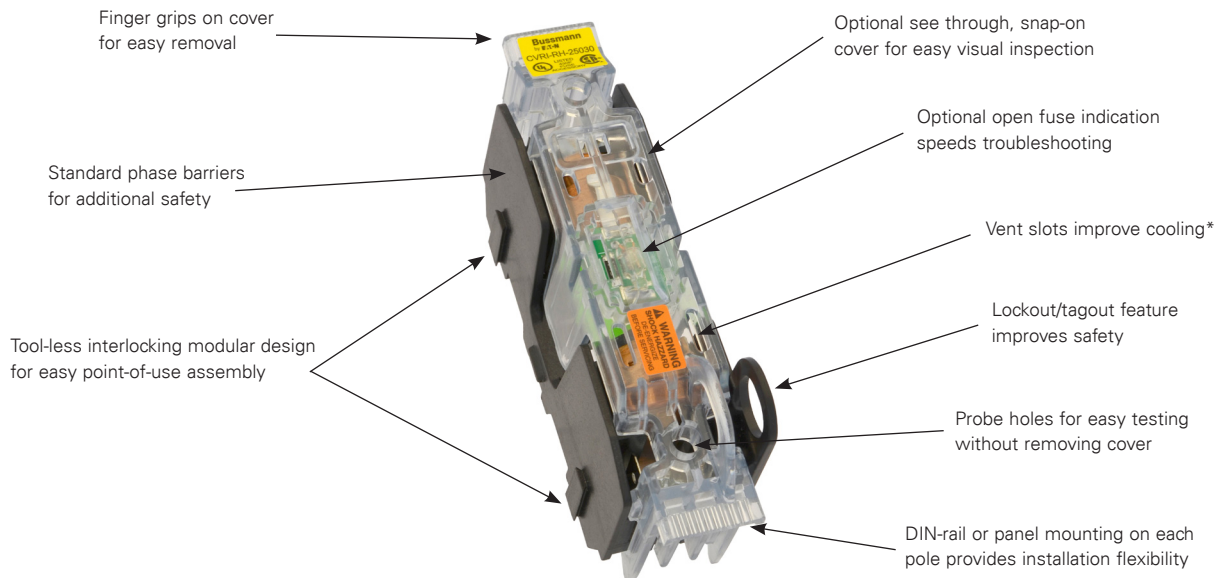
* 3/16" Quick-connect terminal maximum ampacity dependent on female spade connector and wire ratings.

Recommended Bussmann series fuses:

Description	Volts	Amps	Data sheet no.
Ultimate protection time-delay Low-Peak™ LPN	250 V	Up to 60	1003
Advanced protection fast-acting Limitron™ KTN-R	250 V	All	1043
Advanced protection energy efficient time-delay Fusetron™ FRN-R	250 V	Up to 60	1019

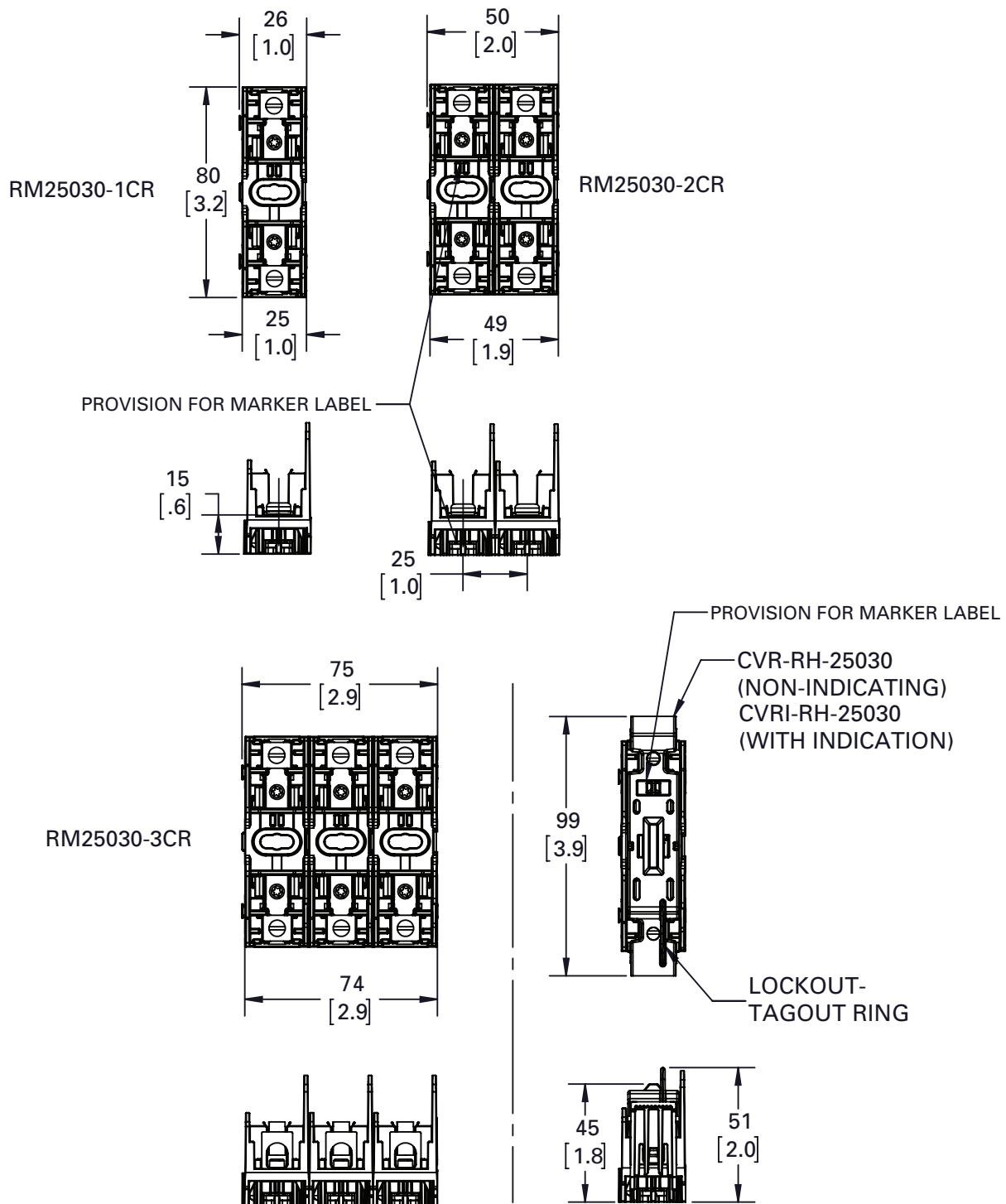
Recommended accessories for 30 and 60 amp blocks:

Description	Catalog no.
DIN-Rail end stops	BRKT-ND
	BRKT-NDSCREW2

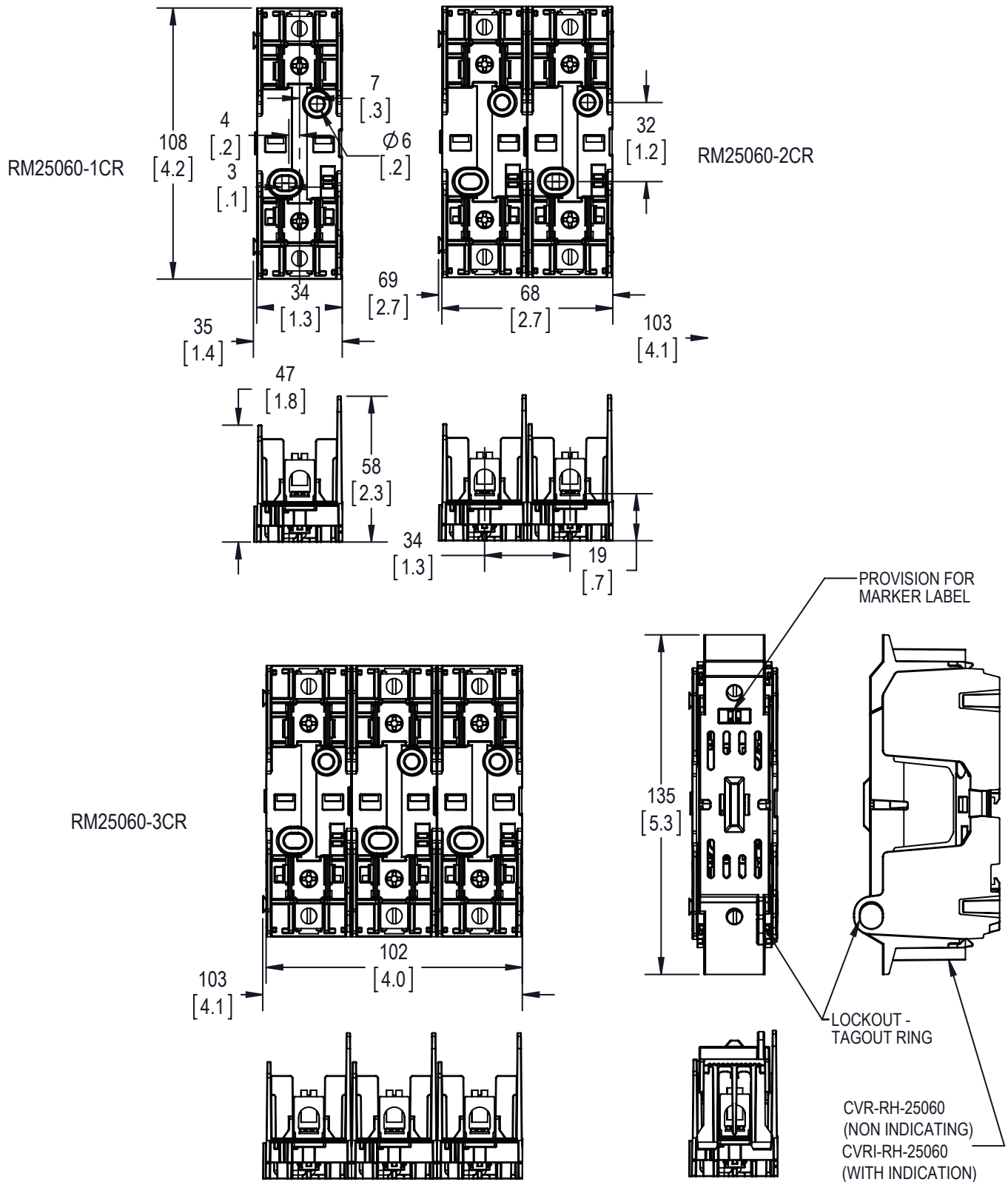


*No fuse derating necessary.

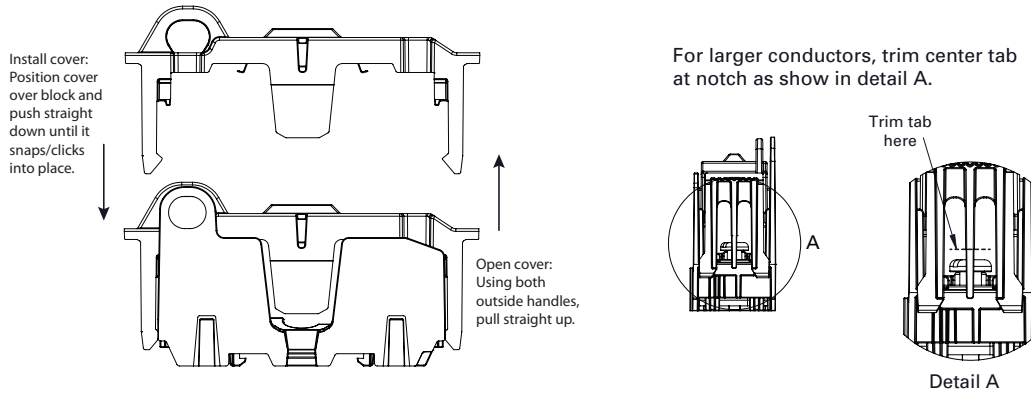
Dimensions; 30 A, 250 V Class R block - in (mm)



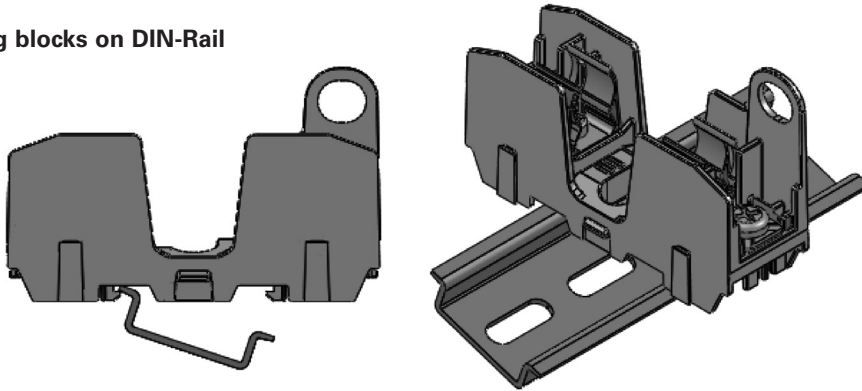
Dimensions; 60 A, 250 V Class R block - in (mm)



Installing/removing covers



Installing blocks on DIN-Rail



Place one edge of DIN-Rail in fuse block base, then rotate block down until it clicks into place.



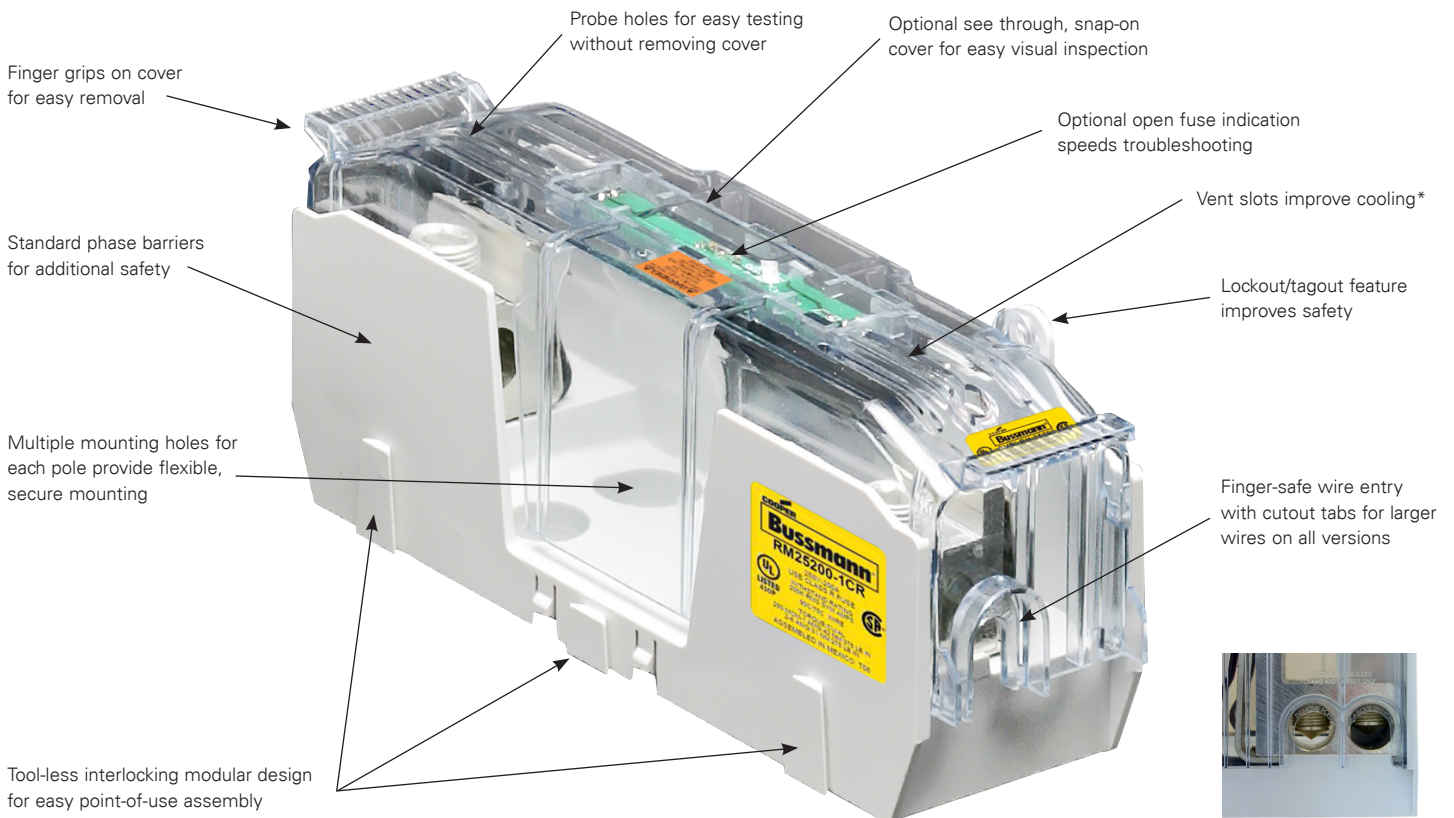
Table 3: Class H 250 V 100 to 600 amp knifeblade blocks and covers

Fuse amp range	Poles	Catalog nos.	Covers*		Conductors***		
			Indicating**	Non-indicating	Solid and stranded	Fine stranded	Torque N·m (lb-in)
70-100	1	RM25100-1CR			—	Cu 1-3 AWG	6.2 (55)
	2	RM25100-2CR	CVRI-RH-25100	CVR-RH-25100	1/0-3 AWG; (2) Cu 4-6 AWG	Cu 4-6 AWG	5.6 (50)
					2 4-6 AWG; (2) Cu 8 AWG	Cu 8 AWG	5.1 (45)
3	RM25100-3CR			8 AWG; (2) Cu 10-14 AWG	—	4.5 (40)	
110-200	1	RM25200-1CR			250 kcmil-1 AWG	Cu 3/0-1 AWG	42 (375)
	2	RM25200-2CR	CVRI-RH-25200	CVR-RH-25200	2-6 AWG; (2) Cu 2-6 AWG	Cu 2-6 AWG	31 (275)
	3	RM25200-3CR			600 kcmil	—	57 (500)
225-400	1	RM25400-1CR			500 kcmil-4 AWG	N/A	51 (450)
	2	RM25400-2CR	CVRI-RH-25400	CVR-RH-25400	(2) Cu 3/0 - 4 AWG	—	57 (500)
	3	RM25400-3CR			(2) Al 3/0 - 4 AWG	—	34 (300)
450-600	1	RM25600-1CR			2 (2) 500 kcmil-4 AWG	N/A	51 (450)
	2	RM25600-2CR	CVRI-RH-25600	CVR-RH-25600			
	3	RM25600-3CR					

* Covers sold separately, order one cover per pole.
 ** Open fuse indication requires 90 volts minimum and closed circuit to operate.
 *** Ratings for copper and aluminum conductors except where otherwise noted.

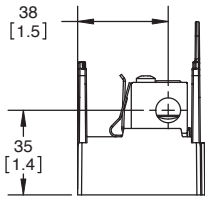
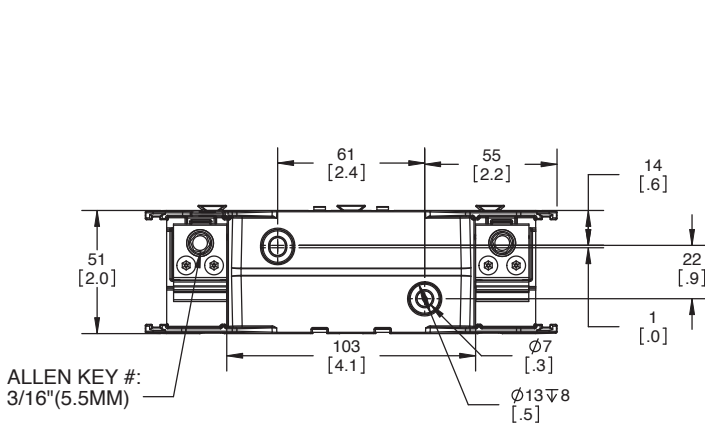
Recommended Bussmann series fuses:

Description	Volts	Amps	Data sheet no.
Ultimate protection time-delay Low-Peak™ LPN	250 V	70 to 600	1004
Advanced protection fast-acting Limitron™ KTN-R	250 V	All	1043
Advanced protection energy efficient time-delay Fusetron™ FRN-R	250 V	70 to 600	1020

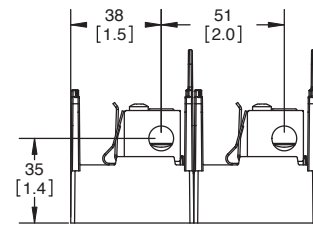
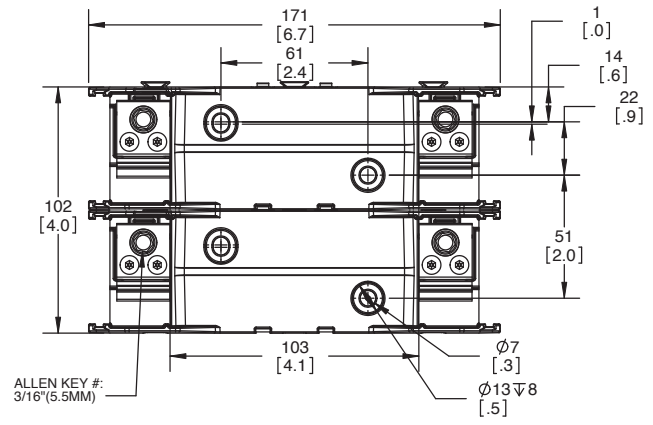


*No fuse derating necessary.

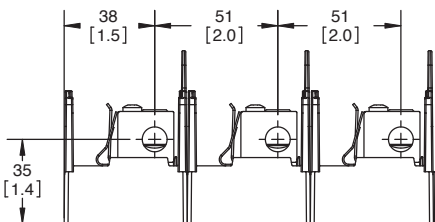
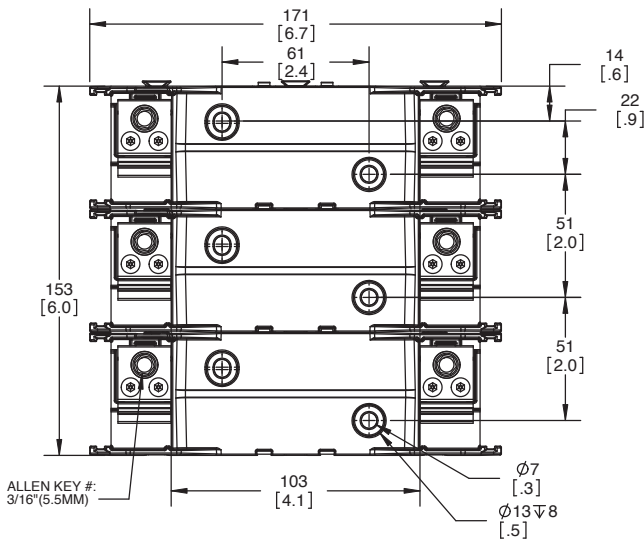
Dimensions; 100 A, 250 V Class R block - in (mm)



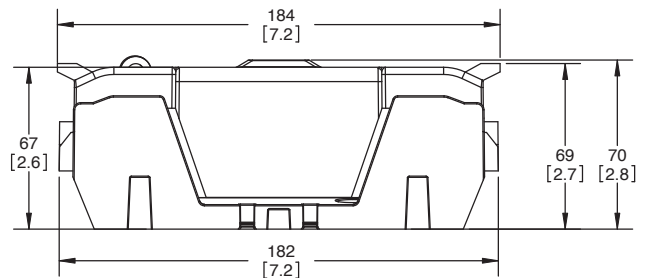
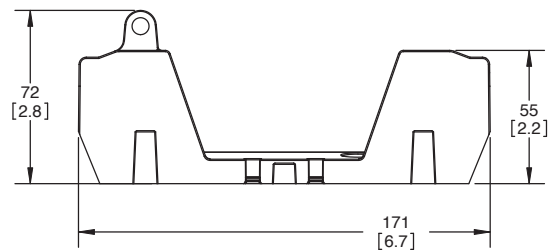
RM25100-1CR



RM25100-2CR

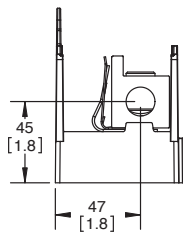
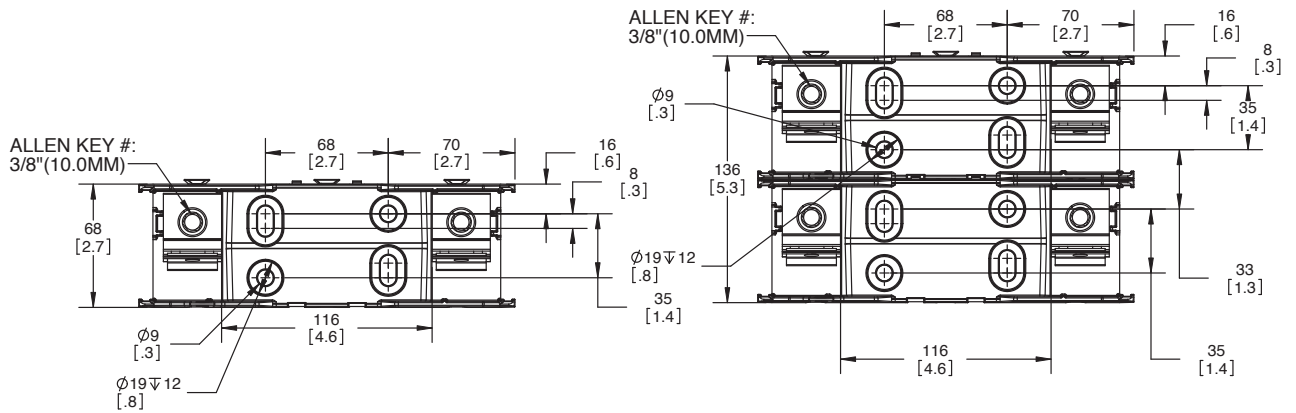


RM25100-3CR

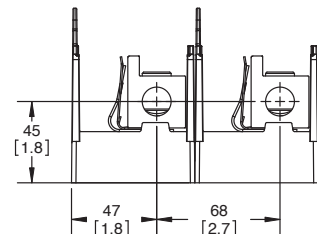


WITH OPTIONAL COVER

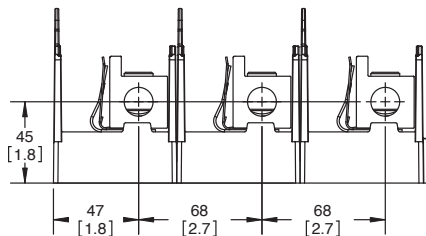
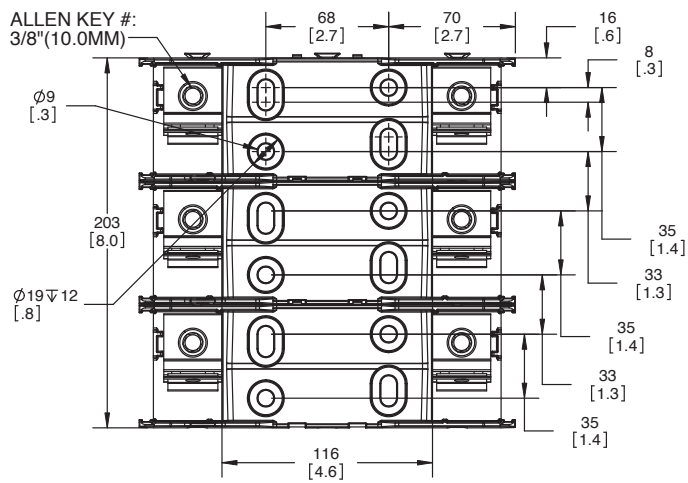
Dimensions; 200 A, 250 V Class R block - in (mm)



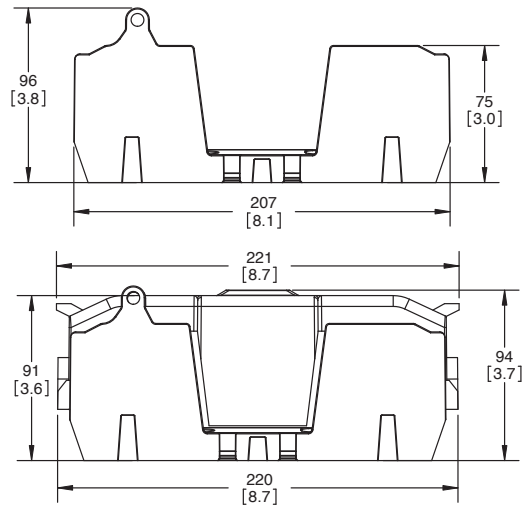
RM25200-1CR



RM25200-2CR

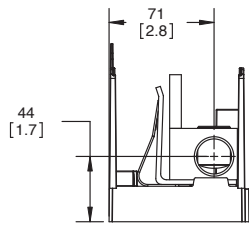
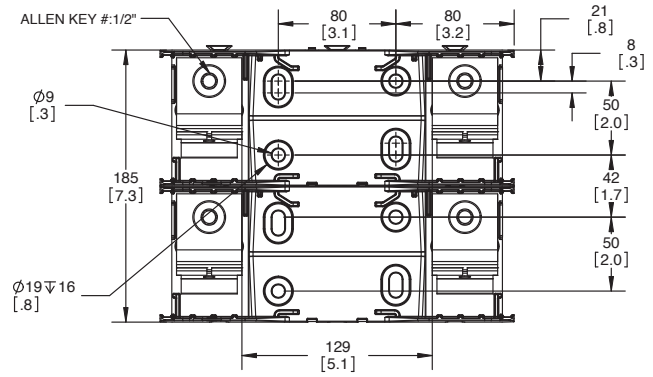
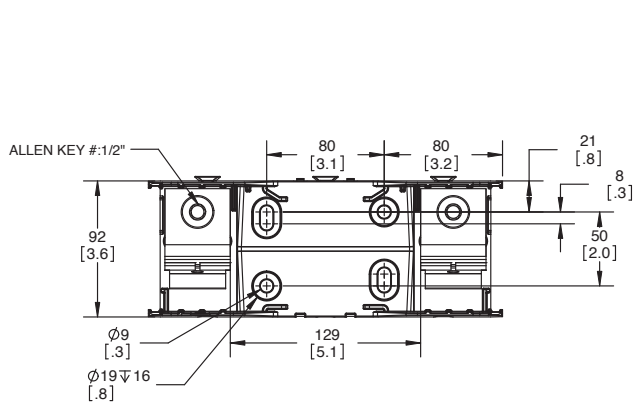


RM25200-3CR

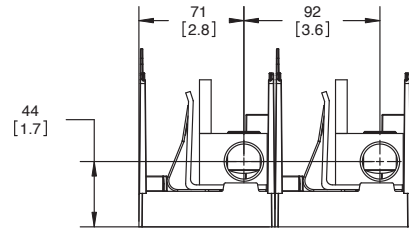


WITH OPTIONAL COVER

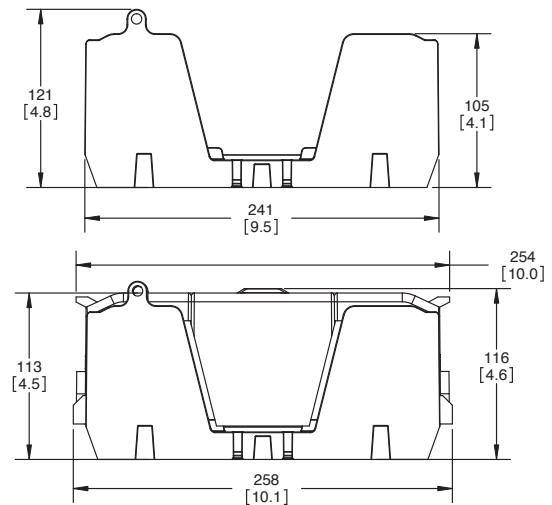
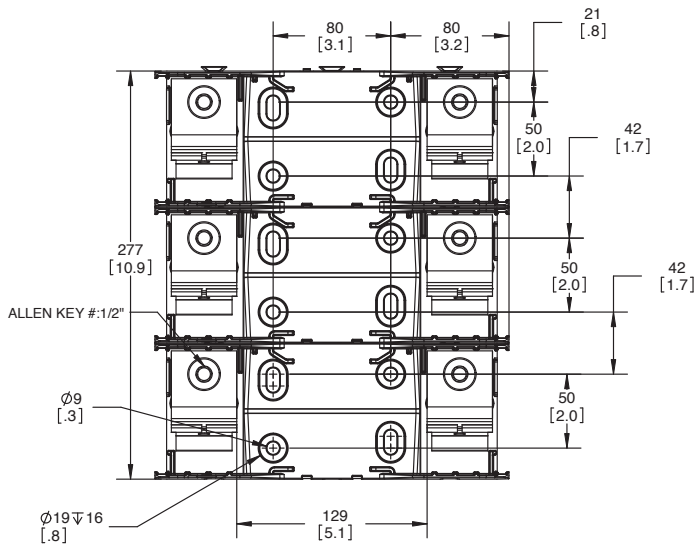
Dimensions; 400 A, 250 V Class R block - in (mm)



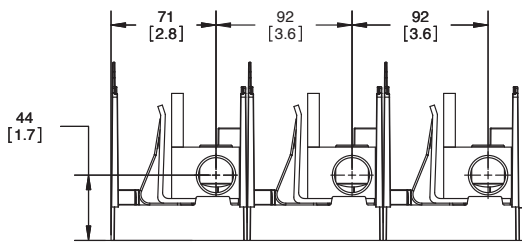
RM25400-1CR



RM25400-2CR



WITH OPTIONAL COVER



RM25400-3CR

Dimensions; 600 A, 250 V Class R block - in (mm)

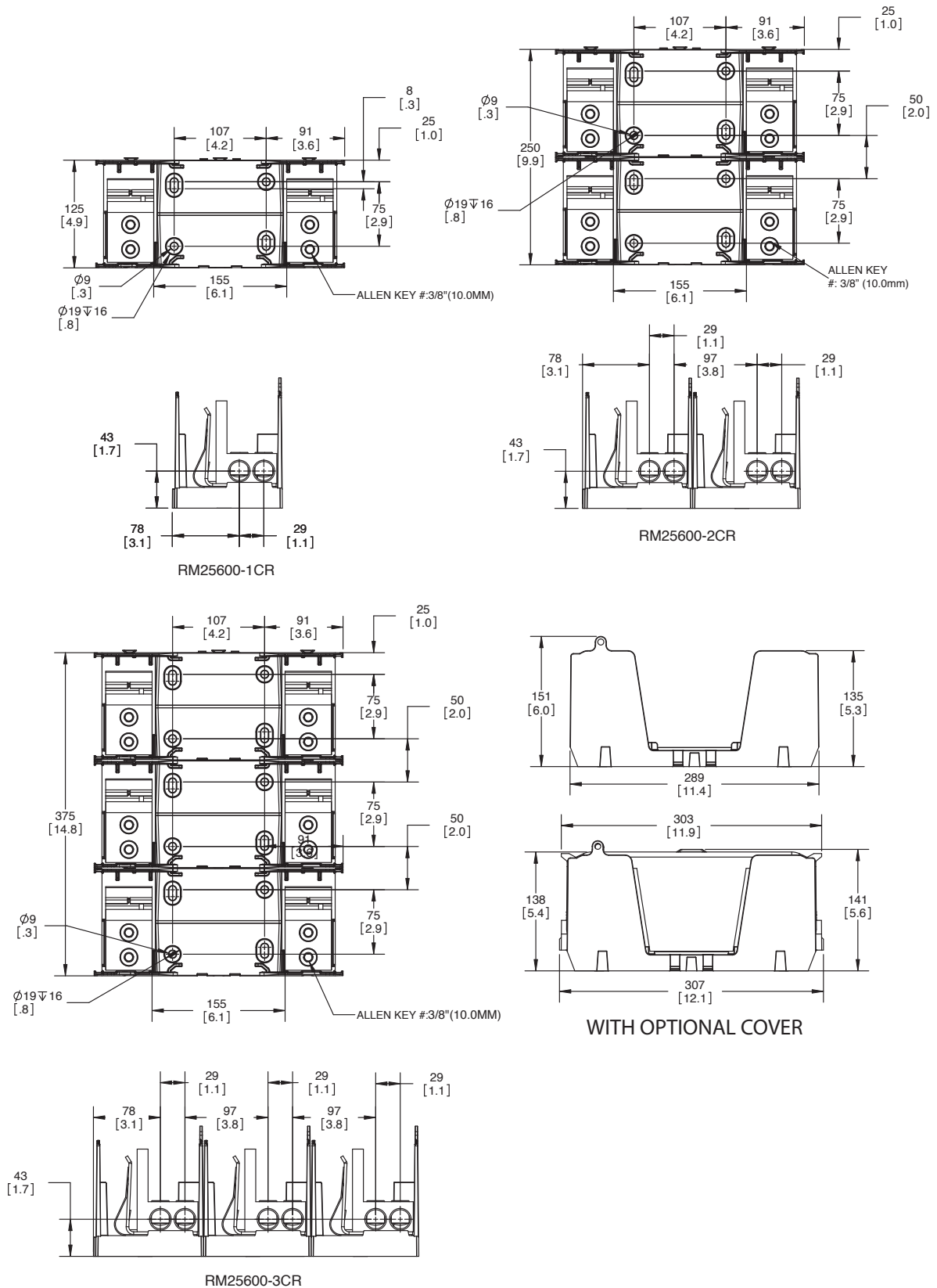


Table 4: Class R 600 V 30 and 60 amp block catalog numbers

Fuse amp range	Poles	Terminal type			Optional covers*		
		Box lug/ slot screw	Box lug/ hex screw	#10-32 Phil-slot screw	Pressure plate	Indicating**	Non-indicating
Up to 30	1	RM60030-1CR	RM60030-1CHR	RM60030-1SR	RM60030-1PR	CVRI-RH-60030	CVR-RH-60030
	2	RM60030-2CR	RM60030-2CHR	RM60030-2SR	RM60030-2PR		
	3	RM60030-3CR	RM60030-3CHR	RM60030-3SR	RM60030-3PR		
35 to 60	1	RM60060-1CR	RM60060-1CHR			CVRI-RH-60060	CVR-RH-60060
	2	RM60060-2CR	RM60060-2CHR				
	3	RM60060-3CR	RM60060-3CHR				

* Covers sold separately, order one cover per pole.

** Open fuse indication requires 90 volts minimum and closed circuit to operate.

Table 5: Class R 600 V 30 and 60 amp block terminals and conductors

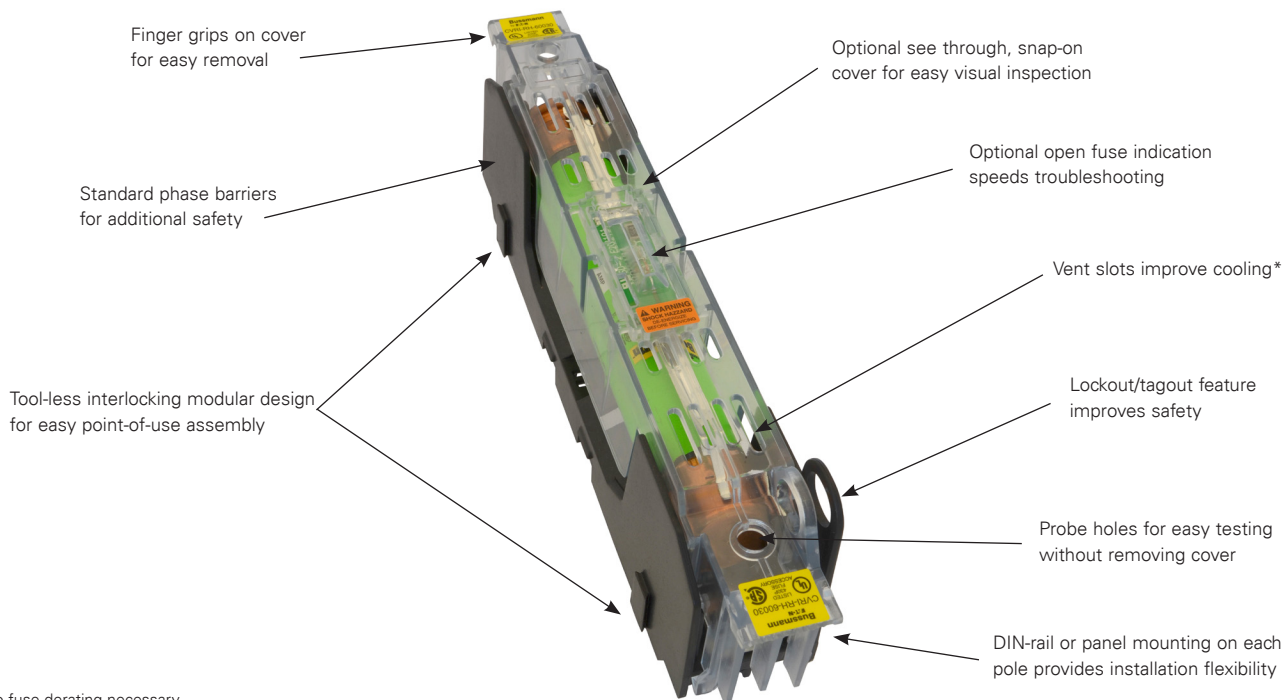
Terminal type	AWG type/range	AWG	Torque N·m (lb-in)
Box lug	75°C Cu 2-14, AL 2-8	2-3	5.6 (50)
		4-6	5.1 (45)
		8	4.5 (40)
		10-14	4.0 (35)
#10-32 Phil-slot screw	75/90°C Cu 10-18	10-18	2.3 (20)
Pressure plate			

Recommended Bussmann series fuses:

Description	Volts	Amps	Data sheet no.
Ultimate protection time-delay Low-Peak LPS	600 V	Up to 60	1001
Advanced protection fast-acting Limitron KTS-R	600 V	All	1044
Advanced protection energy efficient time-delay Fusetron FRS-R	600 V	Up to 60	1017

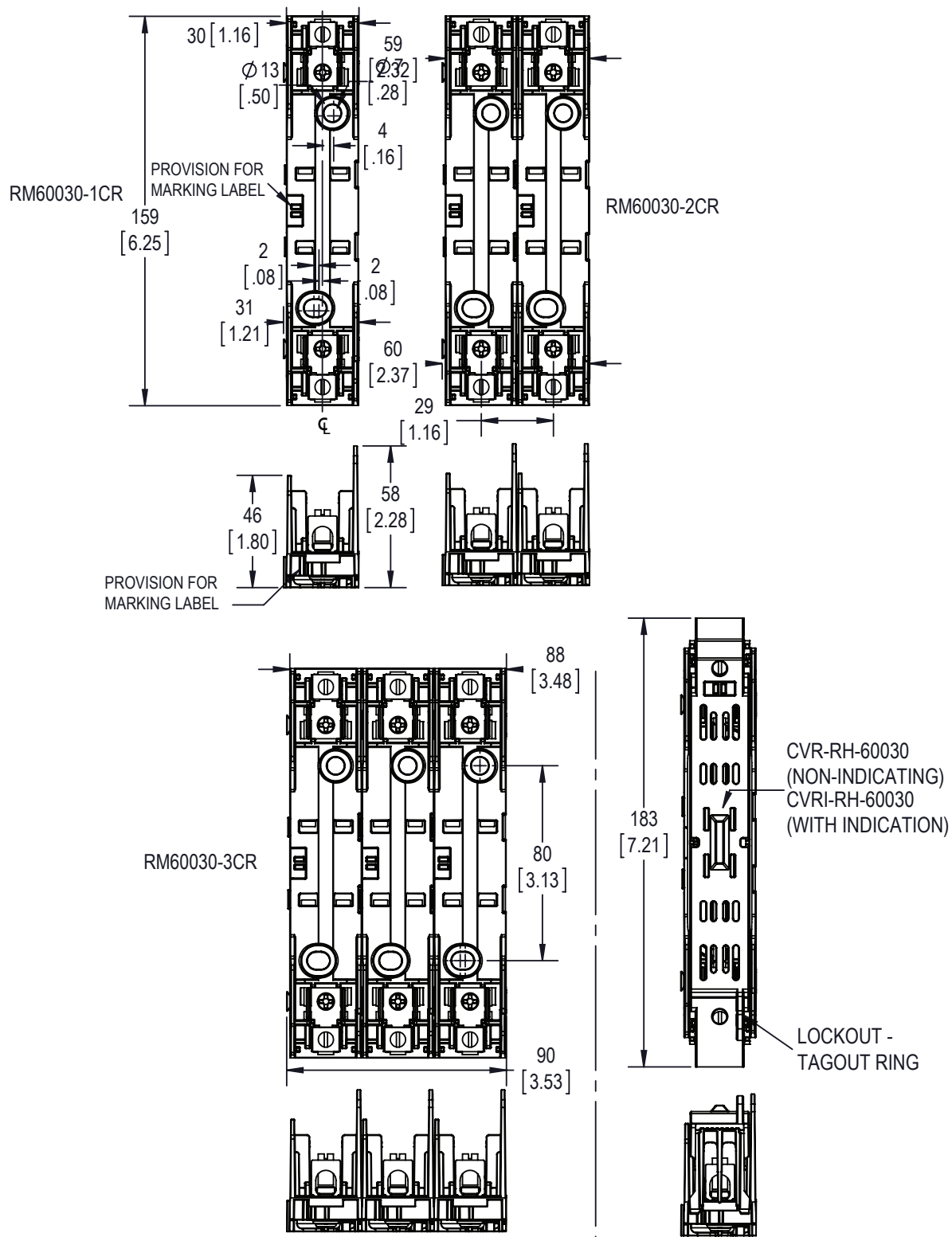
Recommended accessories for 30 and 60 amp blocks:

Description	Catalog no.
DIN-Rail end stops	BRKT-ND
	BRKT-NDSCREW2

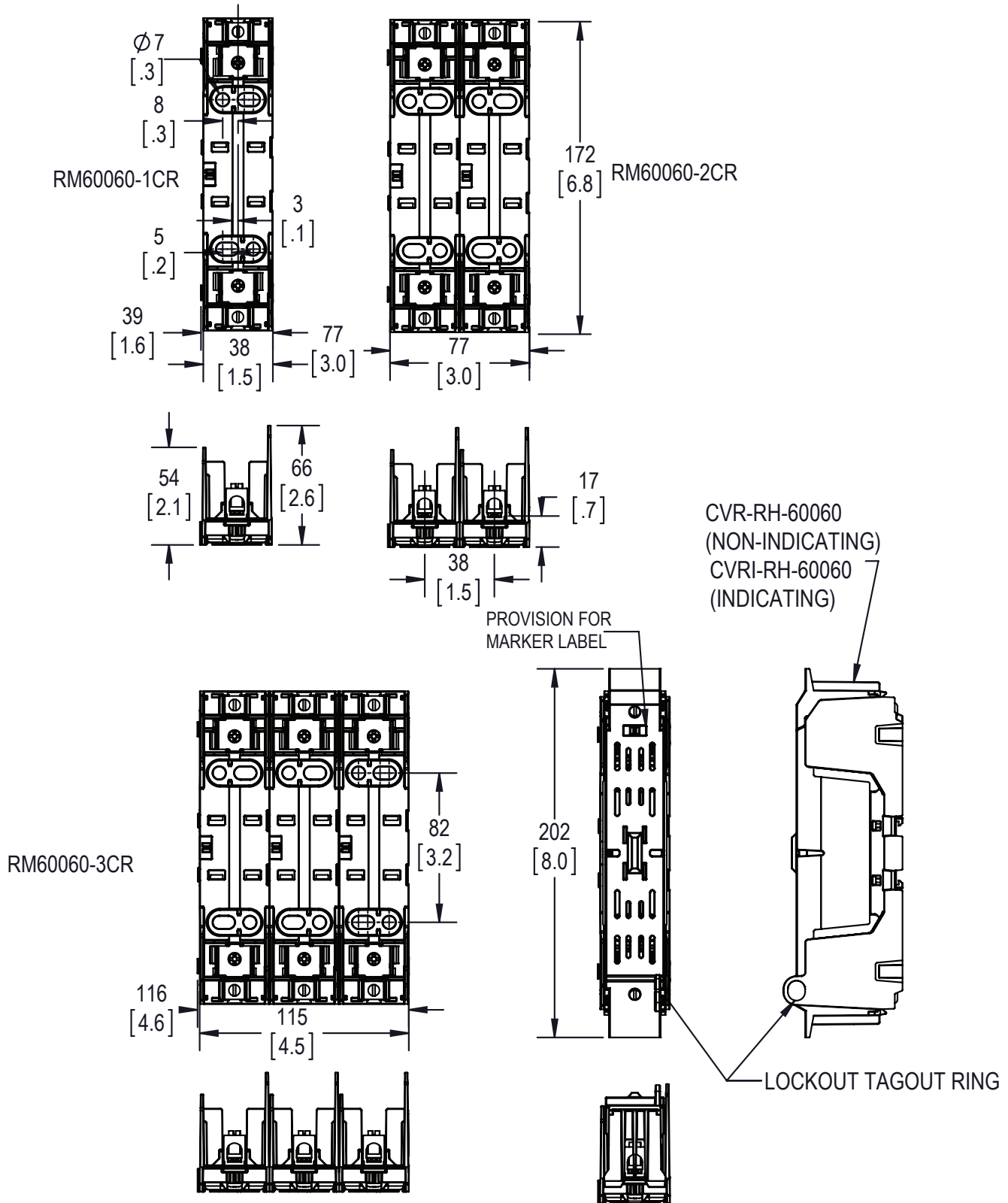


*No fuse derating necessary.

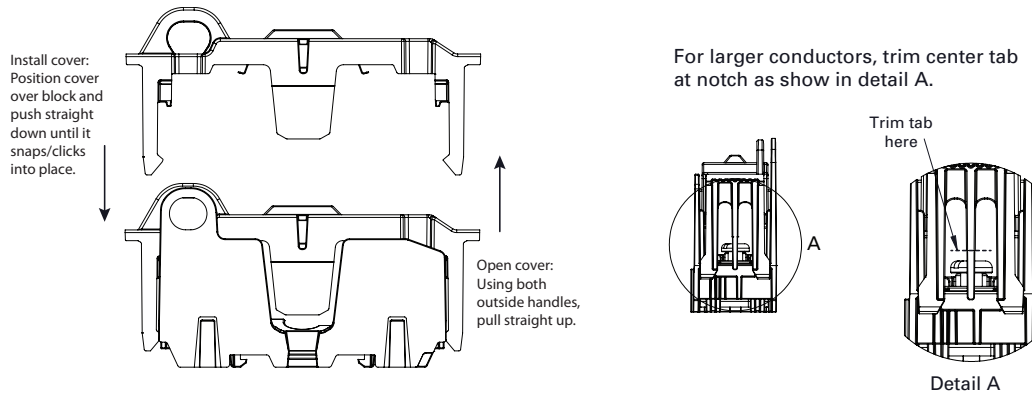
Dimensions; 30 A, 600 V Class R block - in (mm)



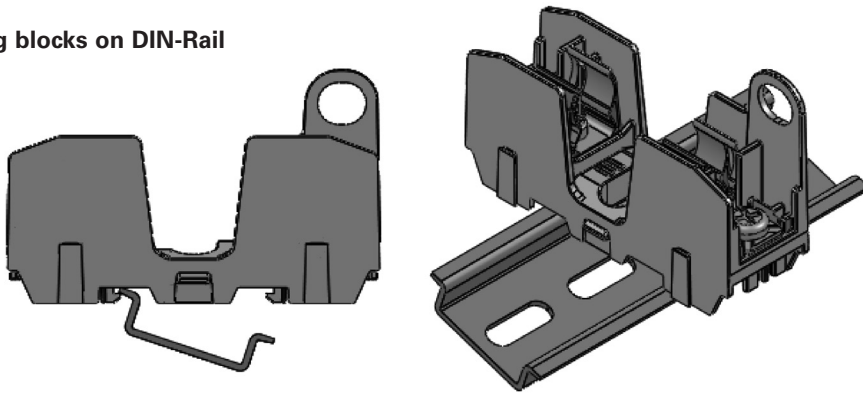
Dimensions; 60 A, 600 V Class R block - in (mm)



Installing/removing covers



Installing blocks on DIN-Rail



Place one edge of DIN-Rail in fuse block base, then rotate block down until it clicks into place.



Table 6: Class R 600 V 100 to 600 amp knifeblade blocks and covers

Fuse amp range	Poles	Catalog nos.	Covers*		Conductors***			Torque N·m (lb-in)
			Indicating**	Non-indicating	Solid and stranded	Fine stranded		
70-100	1	RM60100-1CR			—	Cu 1-3 AWG	6.2 (55)	
	2	RM60100-2CR	CVRI-RH-60100	CVR-RH-60100	1/0-3 AWG; (2) Cu 4-6 AWG	Cu 4-6 AWG	5.6 (50)	
					2 4-6 AWG; (2) Cu 8 AWG	Cu 8 AWG	5.1 (45)	
3	RM60100-3CR			8 AWG; (2) Cu 10-14 AWG	—	4.5 (40)		
110-200	1	RM60200-1CR			Cu 10-14 AWG; Al 10-12 AWG	—	4.0 (35)	
	2	RM60200-2CR	CVRI-RH-60200	CVR-RH-60200	250 kcmil-1 AWG	Cu 3/0-1 AWG	42 (375)	
	3	RM60200-3CR			2-6 AWG; (2) Cu 2-6 AWG	Cu 2-6 AWG	31 (275)	
225-400	1	RM60400-1CR			600 kcmil	—	57 (500)	
	2	RM60400-2CR	CVRI-RH-60400	CVR-RH-60400	500 kcmil-4 AWG	N/A	51 (450)	
	3	RM60400-3CR			(2) Cu 3/0 - 4 AWG	—	57 (500)	
450-600					(2) Al 3/0 - 4 AWG	—	34 (300)	
	1	RM60600-1CR						
	2	RM60600-2CR	CVRI-RH-60600	CVR-RH-60600	2 (2) 500 kcmil-4 AWG	N/A	51 (450)	
	3	RM60600-3CR						

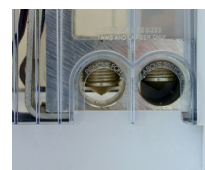
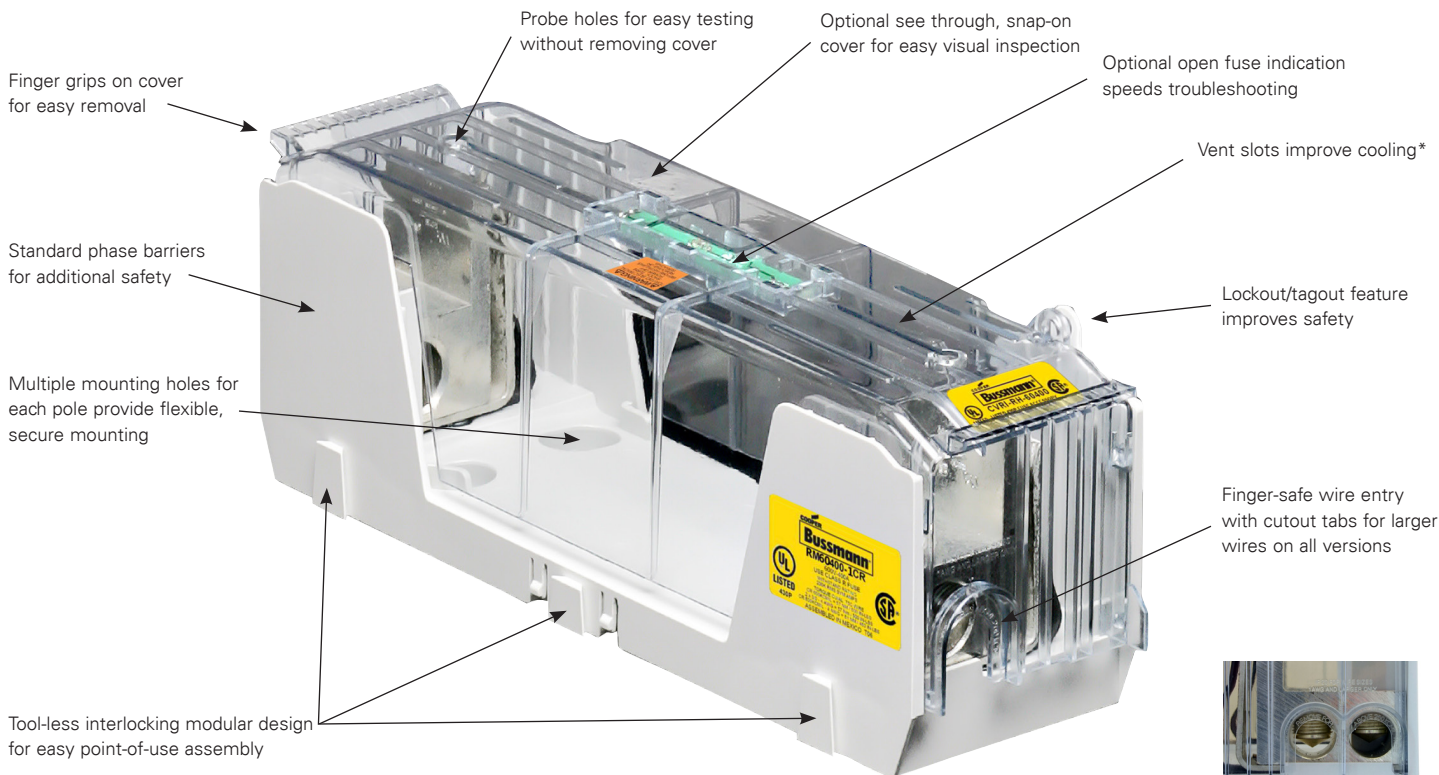
* Covers sold separately.

** Open fuse indication requires 90 volts minimum and closed circuit to operate.

*** Ratings for copper and aluminum conductors except where otherwise noted.

Recommended Bussmann series fuses:

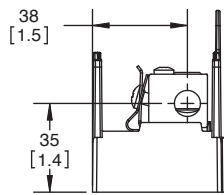
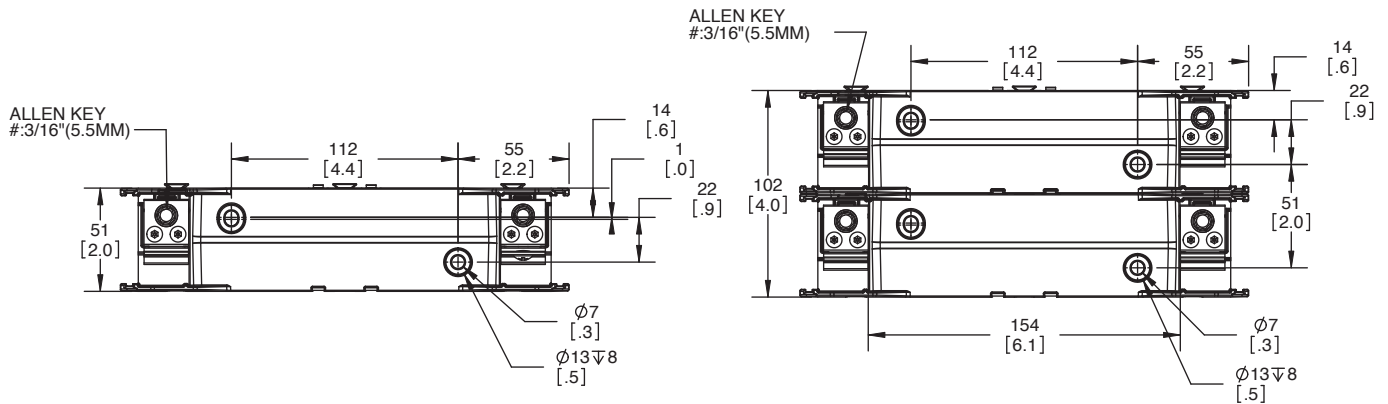
Description	Volts	Amps	Data sheet no.
Ultimate protection time-delay Low-Peak LPS	600 V	70 to 600	1004
Advanced protection fast-acting Limitron KTS-R	600 V	All	1044
Advanced protection energy efficient time-delay Fusetron FRS-R	600 V	70 to 600	1018



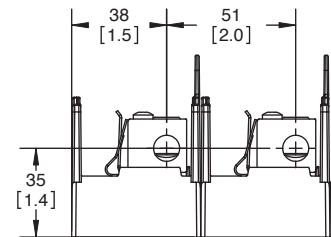
Dual lugs on 600 A blocks for easier wiring using two, smaller conductors

*No fuse derating necessary.

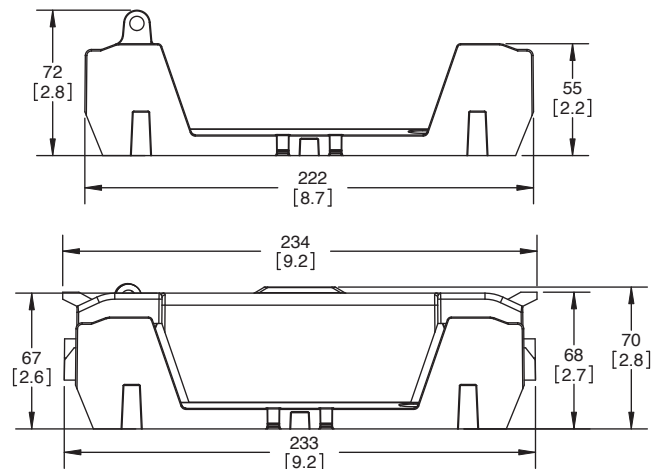
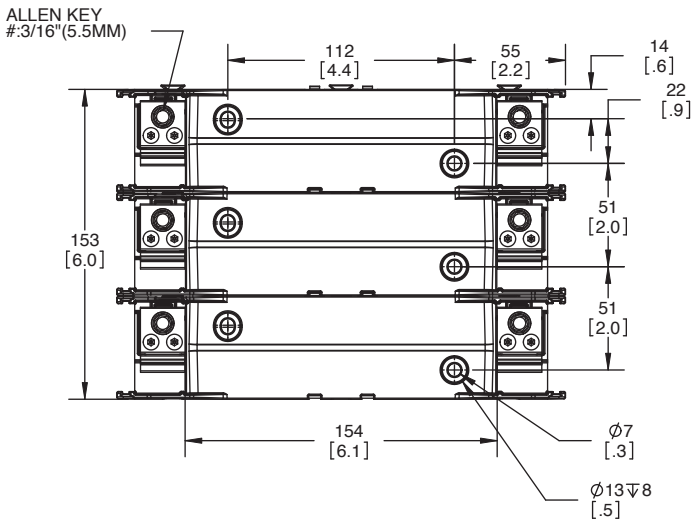
Dimensions; 100 A, 600 V Class R block - in (mm)



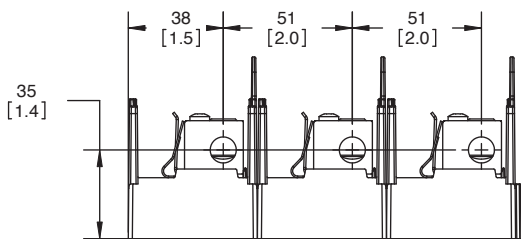
RM60100-1CR



RM60100-2CR

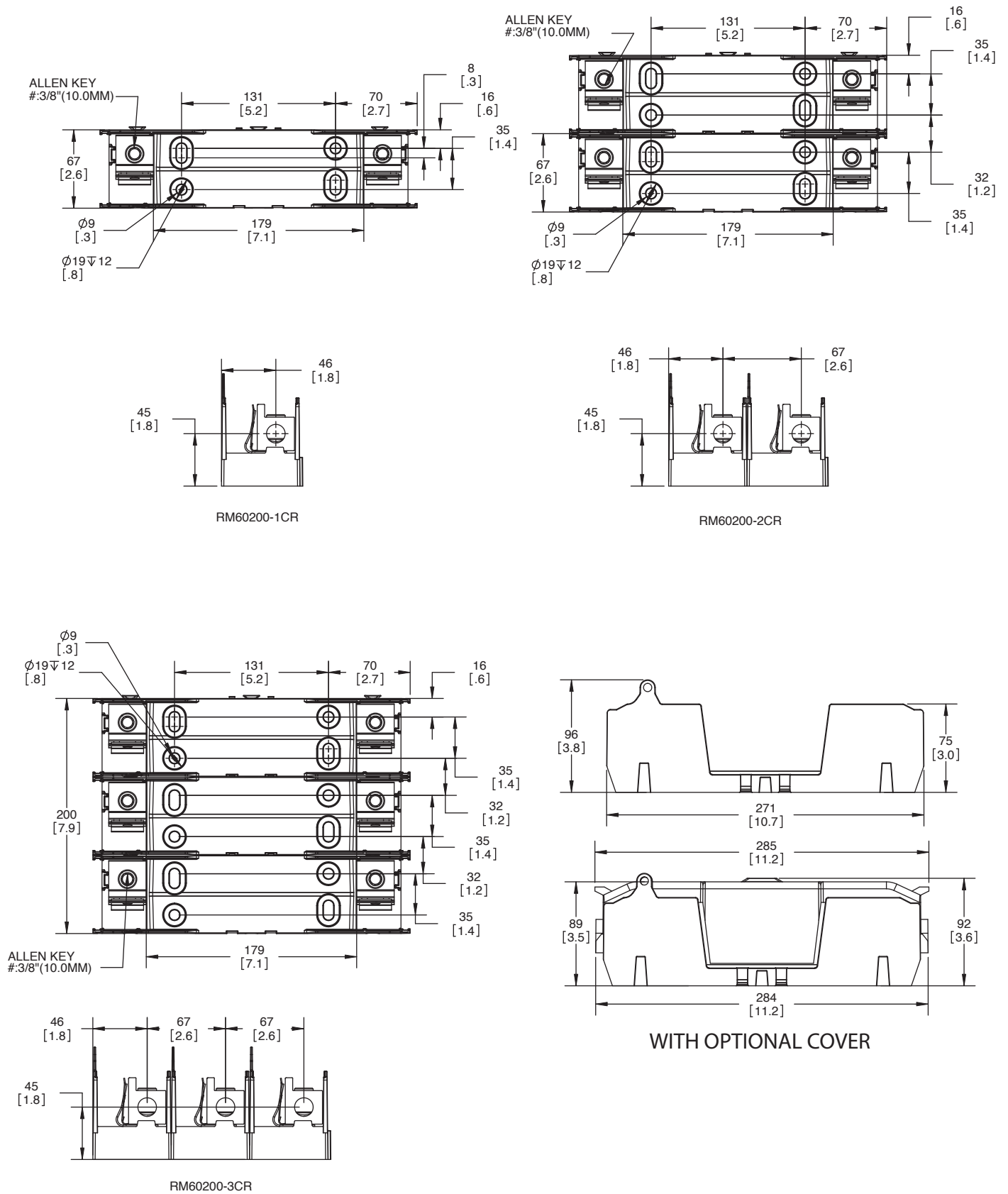


WITH OPTIONAL COVER

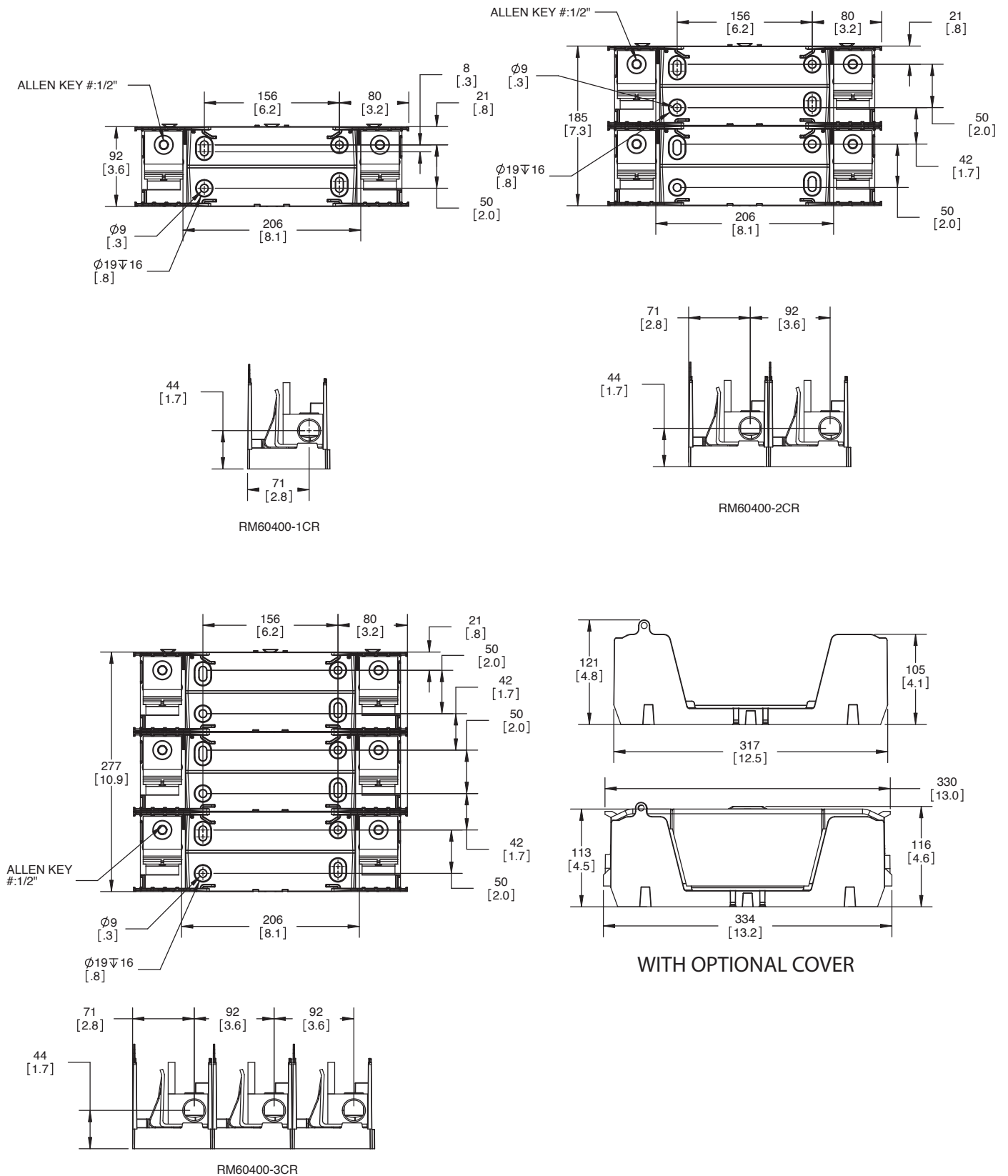


RM60100-3CR

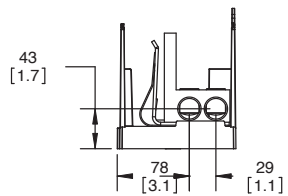
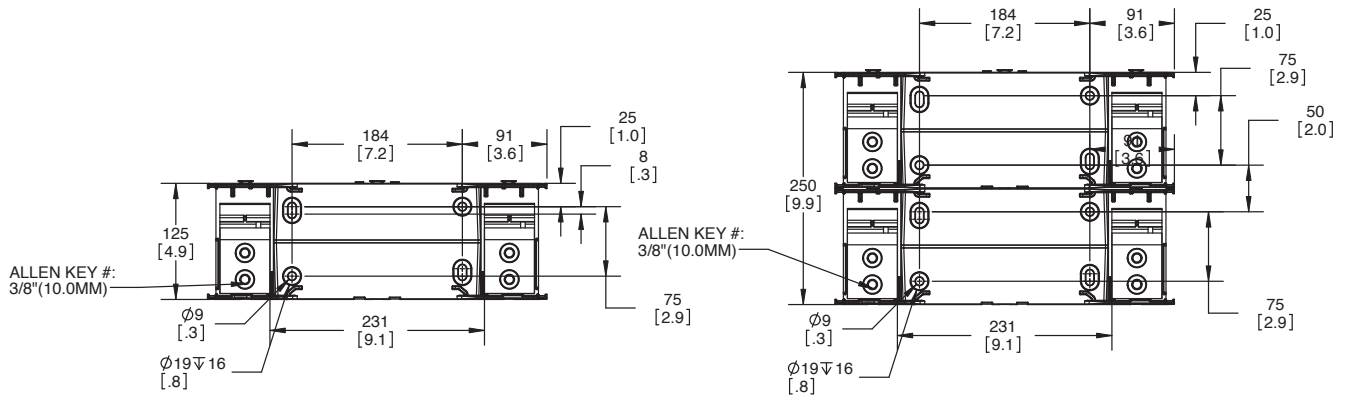
Dimensions; 200 A, 600 V Class R block - in (mm)



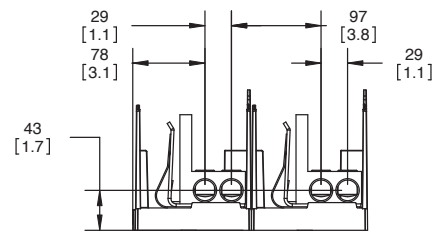
Dimensions; 400 A, 600 V Class R block - in (mm)



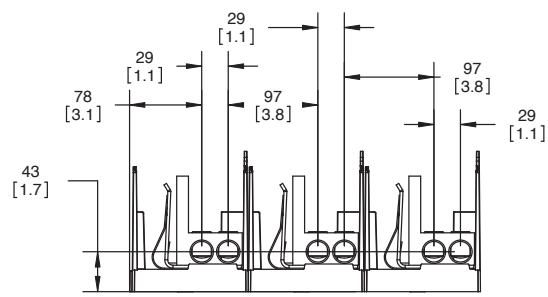
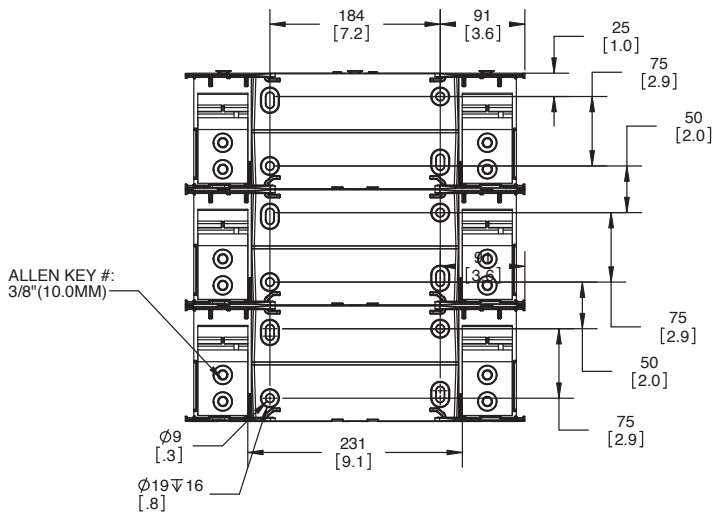
Dimensions; 600 A, 600 V Class R block - in (mm)



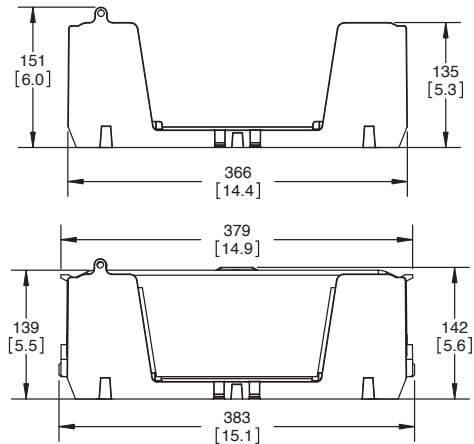
RM60600-1CR



RM60600-2CR



RM60600-3CR



WITH OPTIONAL COVER

The only controlled copy of this data sheet is the electronic read-only version located on the Eaton network drive. All other copies of this document are by definition uncontrolled. This bulletin is intended to clearly present comprehensive product data and provide technical information that will help the end user with design applications. Eaton reserves the right, without notice, to change design or construction of any products and to discontinue or limit distribution of any products. Eaton also reserves the right to change or update, without notice, any technical information contained in this bulletin. Once a product has been selected, it should be tested by the user in all possible applications.

Eaton
1000 Eaton Boulevard
Cleveland, OH 44122
Eaton.com

Bussmann Division
114 Old State Road
Ellisville, MO 63021
United States
Eaton.com/bussmannseries

© 2018 Eaton
All Rights Reserved
Printed in USA
Publication No. 10489 — BU-MC16XXX
December 2018

Eaton and Bussmann are valuable trademarks of Eaton in the U.S. and other countries. You are not permitted to use the Eaton trademarks without prior written consent of Eaton.

For Eaton's Bussmann series
product information,
call **1-855-287-7626** or visit:
Eaton.com/bussmannseries

Follow us on social media to get the
latest product and support information.

