

Single-pole high SCCR UL Type 2 surge protective devices for two wire systems



Remote contact signaling available

easyID™ local visual status indication

Catalog symbols:

- BSPM1__S2G
- BSPM1__S2GR

Description:

Eaton Bussmann™ series single-pole UL modular surge arresters feature *easyID™* local visual indication and optional remote contact signaling for system monitoring.

The unique module locking system fixes the protection module to the base and it can be easily replaced without tools by simply depressing the release buttons.

Integrated mechanical coding between the base and protection module ensures against installing an incorrect replacement.

Standard local visual indication

The green and red visual indicator flags show the module protective status (green = good, red = replace).

Optional remote contact signaling

The three-pole terminal remote contact signaling option has a floating changeover contact for use as a break or make contact, according to circuit concept.

Specifications:

System volts

- 120Vac
- 240Vac
- 347Vac

Short-Circuit Current Rating (SCCR)

- Up to 200kA

Systems types

- Single-phase
- 2 wire Wye

Agency information

- UL® Recognized 1449 4th Edition, Type 2 Component Assembly
- Vibration and shock tested per EN 60068-2
- CE
- RoHS compliant

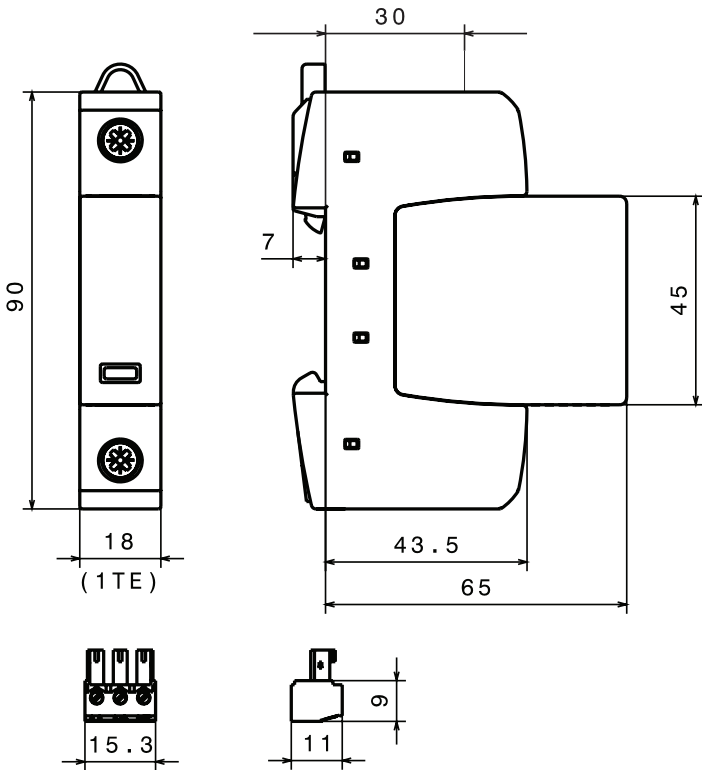
Mounting

- 35mm DIN-Rail

Warranty

- Five years

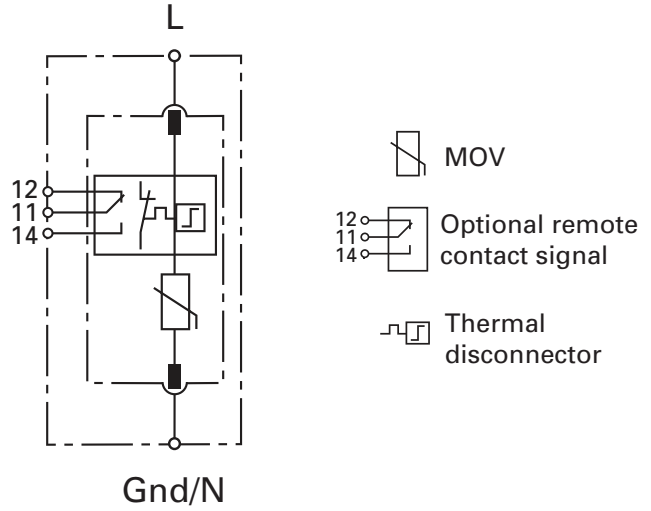
Dimensions - mm:



Shown with optional remote contact signaling.

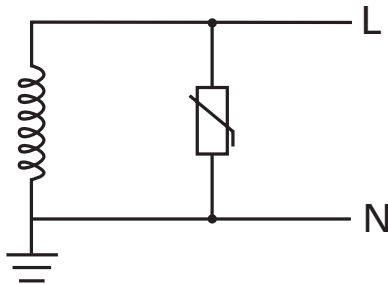
Module circuit diagrams:

Shown with optional remote contact signaling

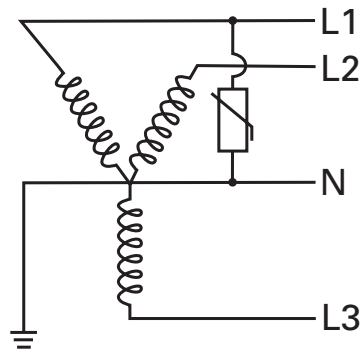


BSPM1120S2G
BSPM1240S2G
BSPM1347S2G

Typical installation/system application:



120, 240, 347Vac 2 wire systems



120, 277, 347Vac 2 wire Wye systems

Catalog numbers for all systems: BSPM1120S2G, BSPM1240S2G, BSPM1347S2G

Ordering information:

Nominal system voltage		120Vac	240, 277 or 240 and 277Vac	347Vac
Max. Continuous Operating Voltage AC (MCOV) (V_c)		275Vac	385Vac	600Vac
Catalog numbers (base = modules)	W/O remote signaling	BSPM1120S2G	BSPM1240S2G	BSPM1347S2G
	W/ remote signaling	BSPM1120S2GR	BSPM1240S2GR	BSPM1347S2GR
Replacement module	MOV technology	BPM275UL	BPM385UL	BPM600UL

Specifications				
Rated voltage		120-127Vac	240-277Vac	347Vac
Voltage Protection Rating VPR		1kV	1.5kV	2kV
SCCR		200kA	200kA	125kA
Discharge current	Nom. I_n	20kA		
	Max. I_{max}	40kA		
Response time t_A		≤ 25 ns		
Frequency		50/60Hz		
Number of poles		1		
Number of wires/connection points		2 Wires / 2 connection points		
Operating state/fault indication		Green (good) / Red (replace)		
Cross-sectional area	Min.	14AWG - Cu stranded, solid or fine		
	Max.	2AWG - Cu solid or stranded / 4AWG - Cu fine		
Terminal torque		45 lb-in (5.1N•m)		
Mounting		35mm DIN-rail per EN 60715		
Enclosure material		Thermoplastic, UL 94V0		
Protection		IP20 (finger-safe)		
Location		Indoor		
Capacity		1 Mods, DIN 43880		
Application and standard		UL Type 2 Component Assembly, UL 1449, 4 th Edition		
Agency information		cURus, RoHS Compliant		
Warranty		Five years*		

Remote contact signaling				
Signaling Type		Changeover contact		
Switching capacity (volts/amps)	AC	250V/0.5A		
	DC	250V/0.1A; 125V/0.2A; 75V/0.5A		
Conductor cross-sectional area		60/75°C Max. 1.5mm ² /14AWG solid/flexible		
Ordering Information		Order from catalog numbers above		

* See Eaton Bussmann SPD Limited Warranty Statement (3A1502) for details at www.cooperbussmann.com/surge.

The only controlled copy of this data sheet is the electronic read-only version located on the Eaton network drive. All other copies of this document are by definition uncontrolled. This bulletin is intended to clearly present comprehensive product data and provide technical information that will help the end user with design applications. Eaton reserves the right, without notice, to change design or construction of any products and to discontinue or limit distribution of any products. Eaton also reserves the right to change or update, without notice, any technical information contained in this bulletin. Once a product has been selected, it should be tested by the user in all possible applications.

Eaton
1000 Eaton Boulevard
Cleveland, OH 44122
Eaton.com

Bussmann Division
114 Old State Road
Ellisville, MO 63021
United States
Eaton.com/bussmannseries

© 2016 Eaton
All Rights Reserved
Printed in USA
Publication No. 2149 — BU-MC16XXX
February 2016

Eaton and Bussmann are valuable trademarks of Eaton in the U.S. and other countries. You are not permitted to use the Eaton trademarks without prior written consent of Eaton.

For Eaton's Bussmann series
product information,
call **1-855-287-7626** or visit:
Eaton.com/bussmannseries

Follow us on social media to get the
latest product and support information.

