

Highlights

- Multiple sensor design (up to 8 sensing heads for 1 box)
- Plug & Play (automatic head detection)
- Rugged IP rated metal box or fast mountable DIN rail box
- All boxes support all MI3 spectral models
- Failsafe functions (internal temp., break of head cable)
- Isolated alarm relay output
- User configurable inputs for remote sensor configuration
- Analog outputs with galvanic isolation
- USB 2.0 interface as standard
- Optional serial RS485 communication interface with the protocols: ASCII, Profibus, Modbus®
- Optional Ethernet communication interface with the protocols: ASCII, http, Profinet IO
- Intuitive user interface with high resolution LCD display
- Advanced on-board signal processing like: peak & valley hold, intelligent averaging (flicker)
- DataTemp® Multidrop Software for remote monitoring

Measurement Specifications

Accuracy

mA / V output	±1°C
Thermocouple output	±1.5°C

Temperature Resolution

mA/V output	±0.1°C (±0.2°F) ¹ / 12 bit (metal box, MI3COMM)
mA/V output	±0.02°C (±0.04°F) / 16 bit (analog DIN rail box)

Temperature Coefficient

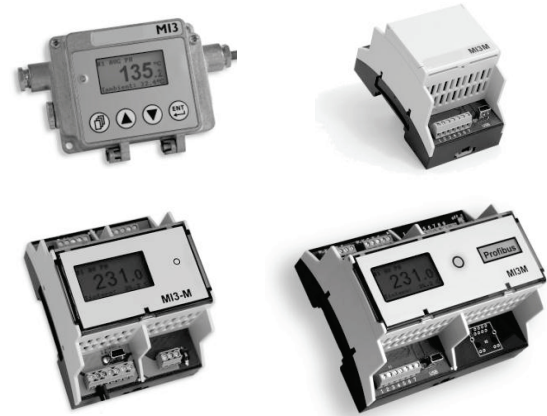
mA/V output	± 0.02 K / K
Thermocouple output	± 0.05 K / K

¹ for a zoomed temperature span of < 500°C (932°F)

Interfaces

Outputs	4 – 20 mA, 0 – 20 mA, 0 – 5 V, or 0 – 10 V J, K, R, or S thermocouple, 0 – 5 V head ambient signal
Thermocouple	J: -40 to 600°C (-40 to 1112°F) K: -40 to 800°C (-40 to 1472°F) R/S: 250 to 1800°C (482 to 3272°F)
Relay	48 V / 300 mA (solid-state relay, potential-free)
Inputs (1 - 3)	1. Emissivity ε setting (analog, 0 - 5 V _{DC}) 2. Background radiation compensation (analog, 0 - 5 V _{DC}) 3. Trigger/hold or laser switching (digital, high/low) or digital emissivity control via inputs 1 to 3
Communications	USB 2.0 RS485 Profibus DP-V0 Profinet IO Ethernet TCP/IP, http and 64 MB data logger Modbus RTU

MI3 Box Datasheet



General Specifications

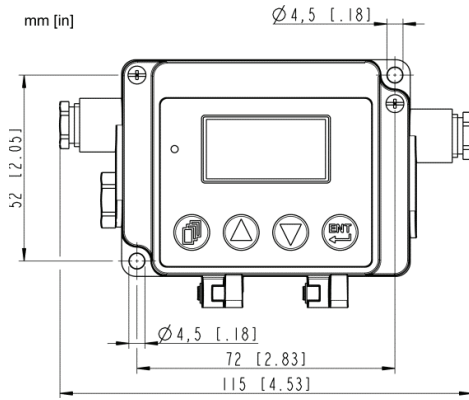
Power Supply	8 to 32 VDC, 5 W
Ambient Temperature	-10 to 65°C (14 to 149°F)
Storage Temperature	-20 to 85°C (-4 to 185°F)
Environmental	IP65 / NEMA-4 (MI3COMM only)
EMC	EN 61326-1:2006
Material	die cast zinc (MI3COMM) molded plastic (all other boxes)

Comm Box	MI3COMM...	MI3MCOMM DIN 3TE	MI3MCOMM DIN 4TE	MI3MCOMM... DIN 6TE
Firmware	8 heads	8 heads	8 heads	8 heads
Wiring	1 head	4 heads	4 heads	4 heads
Display, Button	✓	–	✓	✓
Outputs:				
mA / V	✓	–	–	4x (optional)
TC	✓	–	–	–
Relay	✓	✓	✓	✓
Inputs:				
ε – analog	✓	–	–	–
ε – digital	✓	–	–	–
T _{Background}	✓	–	–	–
Trigger/Hold	✓	✓	✓	✓
Laser Switch	✓	✓	✓	✓
Interfaces:				
USB	standard	standard	standard	standard
RS485	optional	–	standard	–
Profibus	optional	–	–	optional
Profinet	optional	–	–	optional
Ethernet	optional	–	–	optional
Modbus	optional	–	–	optional

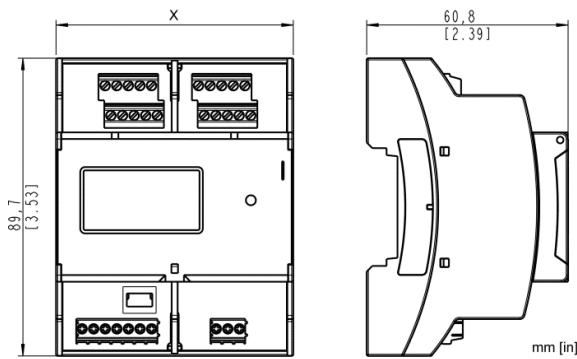
Dimensions

Metal Box (MI3COMM)

Height: 31.5 (1.2)



DIN Rail Box (MI3COMM...)



Width	MI3COMMN	MI3COMM	MI3COMM...
X	DIN 3TE: 53.6 mm (2.1 in)	DIN 4TE: 71.6 mm (2.8 in)	DIN 6TE: 107.6 mm (4.2 in)

Options

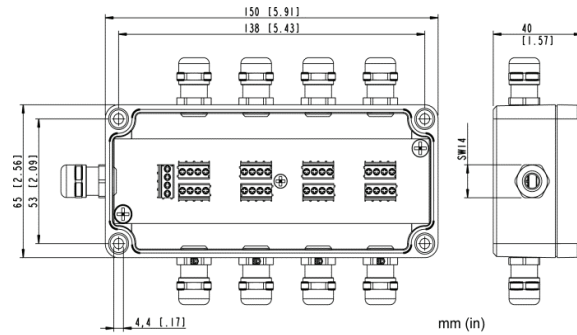
Options must be specified at time of order.

- Fieldbuses for Comm Box:
RS485, Profibus, Profinet, Ethernet, Modbus
- 4 analog output channels for Comm Box, DIN 6TE:
mA or V, all channels electrically isolated

Accessories

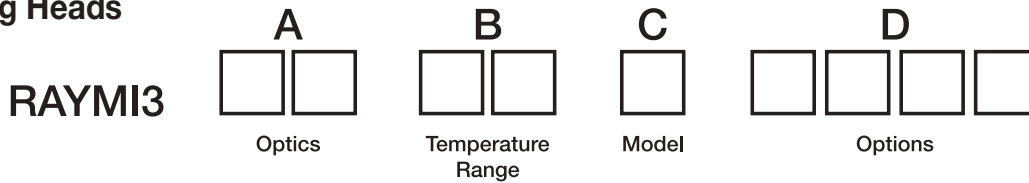
Accessories include items that may be ordered at any time and added on-site:

- Multi-Channel Box to support up to 8 sensing heads in a network (XXXMI3CONNBOX)
- USB/RS485 Adapter for boxes with RS485 interface (XXXUSB485)



Multi-Channel Box (XXXMI3CONNBOX)

Sensing Heads



Each MI3 sensor system is comprised of (1) MI3 sensing head and (1) MI3COMM or MI3MCOMM communication module. The sensing head includes one mounting nut and 1m (3.3ft) cable. Longer cables up to 30 m (100ft) maximum are available and must be specified at time of order. The MI3 sensing head and MI3COMM box are ordered as separate items.

Model	Description		
RAYMI3	Miniature infrared sensing head with 1 meter (3.3ft) cable		
Code A	Optical Resolution		
02	2:1	20	22:1
10	10:1		
Code B	Temperature Range		
LT	-40°C to 600°C (-40°F to 1112°F) Note: 0°C to 1000°C (32°F to 1832°F) for LTF and LTS 22:1 models		
G5	250°C to 1650°C (482°F to 3002°F)		
Code C	Model		
S	Standard sensing head, 120°C (248°F) maximum ambient		
F	Fast response sensing head, 20 mSec response time, 120°C (248°F) maximum ambient (10:1 head only)		
H	High ambient sensing head, up to 180°C (356°F)		
Code D	Options		
CB3	3m (10ft) cable	CB15	15m (49ft) cable
CB8	8m (26ft) cable	CB30	30m (98ft) cable

Communication Boxes

Model	Description
RAYMI3COMM	MI3 IR thermometer communication box with USB 2.0 communications, cast zinc housing and user-interface
RAYMI3COMM4	MI3 IR thermometer communication box with USB 2.0 communications and RS-485 communication option, cast zinc housing and user-interface
RAYMI3COMMM	MI3 IR thermometer communication box with USB 2.0 communications and Modbus communication option, cast zinc housing and user-interface
RAYMI3COMMP	MI3 IR thermometer communication box with USB 2.0 communications and Profibus communication option, cast zinc housing and user-interface
RAYMI3MCOMM	Modular DIN mountable 4-channel IR communication box with user interface, USB 2.0 and RS485 communications
RAYMI3MCOMMM	Modular DIN mountable 4-channel IR communication box with user interface, USB 2.0 and Modbus communications
RAYMI3MCOMMP	Modular DIN mountable 4-channel IR communication box with user interface, USB 2.0 and Profibus communications
RAYMI3MCOMMN	Modular DIN mountable 4-channel IR communication box with no user interface, display or RS485 interfaceIncludes USB 2.0 and alarm relay, only
RAYMI3MCOMMA	Modular DIN mountable 4-channel IR communication box with user interface, USB 2.0 and 4 galvanic isolated analog outputs
RAYMI3COMME	MI3 IR thermometer communication box with USB 2.0 communications and Ethernet communication and built in HTTP-Server option, cast zinc housing and user-interface
RAYMI3COMMPN	MI3 IR thermometer communication box with USB 2.0 communications and Profinet communication, cast zinc housing and user-interface
RAYMI3MCOMME	Modular DIN mountable 4-channel IR communication box with user interface, USB 2.0 and Ethernet interface with built-in HTTP-Server.
RAYMI3MCOMMPN	Modular DIN mountable 4-channel IR communication box with user interface, USB 2.0 and Profinet interface.

The Worldwide Leader in Noncontact Temperature Measurement

Raytek Corporation
Worldwide Headquarters
 Santa Cruz, CA USA
 Tel: 1 800 227 8074 (USA and Canada, only)
 1 831 458 3900
 solutions@raytek.com

European Headquarters
 Berlin, Germany
 Tel: 49 30 4 78 00 80
 raytek@raytek.de

China Headquarters
 Beijing, China
 Tel: 8610 6438 4691
 info@raytek.com.cn

www.raytek.com

To find a Raytek office near you, please visit www.raytek.com

Worldwide Service

Raytek offers services, including repair and calibration.
 For more information, contact your local office or e-mail support@raytek.com



Raytek is an ISO 9001 certified company

© 2015 Raytek Corporation (3783599 Rev H) 4/2015
 Raytek, the Raytek logo and DataTemp are registered trademarks of Raytek Corporation.
 Modbus is a registered trademark of the Modbus Organization, Inc
 Specifications subject to change without notice.