



DuroSite® LED Area Light - UL / CSA
for Indoor and Outdoor Industrial Applications



Patent Pending

DuroSite® LED Area Light

Innovative mounting options

Featuring a unique hinge-style design, the new brackets simplify the installation of fixtures in zero-degree and 45-degree wall, post and stanchion mounting applications.



Ease of Installation

The hinge-style brackets come pre-installed on each fixture to eliminate time-consuming bracket assembly in the field. Installers simply mount the bracket to the wall, post or stanchion, and the fixture portion hangs in place on the bracket, leaving the installers' hands free to make electrical connections.

Specifications

Dialight's new Area Light brackets feature a diecast copper free aluminum housing with 3/4" NPT threaded entries for mounting. The unique design also encloses all wiring connections inside the mounting bracket for maximum protection from the environment. With the easy access wiring compartment, installing your fixture becomes incredibly efficient.

Retrofit to existing HID Fixtures



Appleton® Mercmaster III
HZXTHAP



Eaton's Crouse-Hinds – Champ®
HZXTHCH



Killark® Certilite® & Certilite® V
HZXTHKL



GE Lighting Solutions – Filtr-Gard™
HZXTHGE



Appleton® Mercmaster II
HZXTHM2



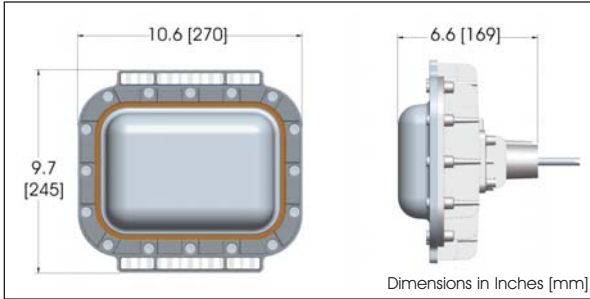
Features and Benefits

- L70 rated for > 100,000 hours @ 25°C
- 5 year full performance warranty
- Instant on/off operation
- Superior color rendition index compared to HPS, LPS, MV
- Mercury free
- Resistant to shock and vibration
- Temperature compensation technology for longer life
- Factory sealed
- Low T rating compared to traditional fixtures

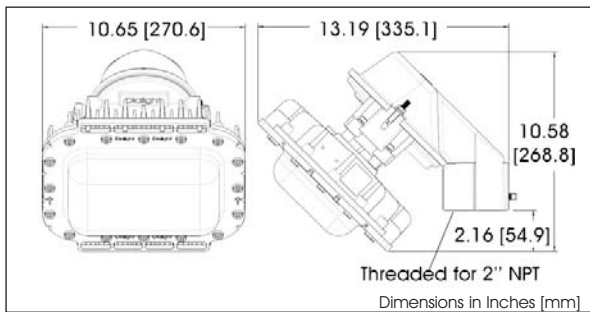
DuroSite® LED Area Light



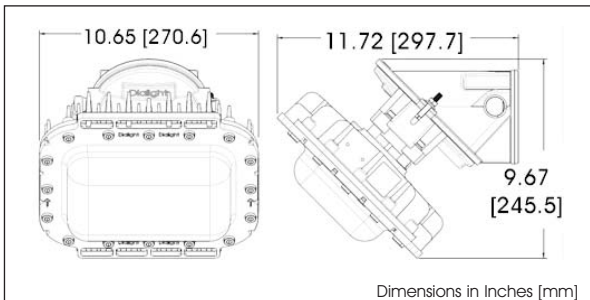
Standard Models



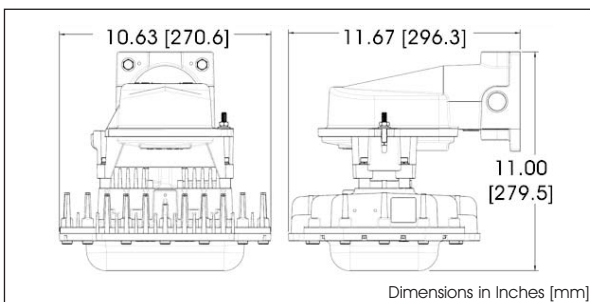
45° Stanchion Mount Models



45° Wall Mount Models



Wall Mount Models



Certifications & Ratings

- UL 1598/A
- CSA22.2
- IP 66 / 67

- ABS Design Assessed: # 12-HS942957-PDA

Fixture Weight

- Standard models:**
 10 lbs (4.5 kg) - Polycarbonate lens
 12 lbs (5.5 kg) - Glass lens
- Wall mount models:**
 15 lbs (6.8 kg) - Polycarbonate lens
 18 lbs (8.2 kg) - Glass lens
- 45° Wall mount models:**
 14 lbs (6.4 kg) - Polycarbonate lens
 17 lbs (7.8 kg) - Glass lens
- 45° Stanchion mount models:**
 15 lbs (6.7 kg) - Polycarbonate lens
 18 lbs (8.1 kg) - Glass lens

Shipping Weight

- Standard models:**
 12 lbs (6.5 kg) - Polycarbonate lens
 13 lbs (7.5 kg) - Glass lens
- Wall mount models:**
 17 lbs (8.8 kg) - Polycarbonate lens
 20 lbs (10.2 kg) - Glass lens
- 45° Wall mount models:**
 16 lbs (8.4 kg) - Polycarbonate lens
 19 lbs (9.8 kg) - Glass lens
- 45° Stanchion mount models:**
 17 lbs (8.7 kg) - Polycarbonate lens
 20 lbs (10.1 kg) - Glass lens

Mechanical Information

Mounting:	(1) Threaded 3/4" NPT rear (Units with retrofit adapter also available and mounting brackets)
Cabling:	10' (3.5m) STOOV Power Cord (Except when ordered with mounting bracket)
Electrical specifications	
Operating Voltage:	100 - 277V AC, 50/60 Hz or 347 - 480V AC, 50/60 Hz
Power Consumption:	See ordering information
Operating Temp:	-40°F to +149°F (-40°C to +65°C)
Noise Requirements/ EMC:	FCC Title 47, Subpart B, Section 15, class A device. RF Immunity; 10V/m, 80MHz-1GHz
Surge Protection	
100 - 277V AC 50/60Hz:	1 kV line to line, 2 kV line to ground
347 - 480V AC 50/60Hz:	6 kV line to line, 6 kV line to ground
THD:	<20%
Power Factor:	> 0.9

Construction

Housing:	Powder coated copper free aluminum
Finish:	Polyester / epoxy powder coat for superior corrosion resistance, gray RAL 7040
Lens:	Hard coated polycarbonate (Glass lens also available)

Photometric Information

CRI:	70
CCT Standard:	5000K (cool white) 4000K (neutral white)
Optics:	180° forward throw 360° circular pattern Wide Throw (aisle way) pattern
IES Files:	Available upon request

All values typical unless otherwise stated
 All Lumen Values are typical (tolerance +/- 10%)






DuroSite® LED Area Light

Mounting Overview







Pendant & Conduit Mount

		STWxxxx	DuroSite Area Light Glass or Polycarbonate lens 180° / 360° / wide throw optics
		STWxxxx	DuroSite Area Light

Stanchion and Pole Mounting

		STWxxxx	DuroSite Area Light Glass or Polycarbonate lens 180° / 360° / wide throw optics
		HZXSTANxxx	1.00" - 2.00" Slip-Fit or NPT stanchion mount junction box
		HZXWx	Stainless steel or aluminum mounting brackets 0, 45, 90 angles
		STWxxxxS45	Area Light with 45 degree stanchion mounting bracket included Glass or Polycarbonate lens 180° optics or wide throw optics

Ceiling & Wall Mounting


		STWxxxx	DuroSite Area Light Glass or Polycarbonate Lens 180° / 360° / wide throw optics
		STWxxxx	DuroSite Area Light
		HZXJBxxx	0.75" - 1.05" ceiling / wall / pole mount junction box
		STWxxxxW45	DuroSite Area Light with 45 degree wall mounting bracket included Glass or Polycarbonate lens 180° optics
		STWxxxxW01	DuroSite Area Light with 45 degree wall mounting bracket included Glass or Polycarbonate lens 360° / wide throw optics


DuroSite® LED Area Light


Retrofit Options Overview





HZDXXXX models can be ordered with factory installed retrofit adapter by adding **C**, **A**, **K**, **G**, or **M** to the end of the part number. For example, STW8C2NC becomes STW8C2NC. Please consult factory when ordering.

Appleton® Mercmaster III - HZXTHAP				
	Pendant	Ceiling	Wall	Stanchion
	KPA-75	KPC-75	KPWB-75	KPS-125
	KPA-100	KPC-100	KPWB-100	KPS-150
	KPAF-75			KPST-125
	KPAF-100			KPST-150
	KPCH-75			
	KPCH-100			

Eaton's Crouse-Hinds – Champ® - HZXTHCH					
	Pendant	Ceiling	Wall	Stanchion	Quad Mount
	APM2	CM2	TWM2	JM5	QM25
	APM3	CM3	TWM3	PM5	
HPM2					



Killark® Certilite® & Certilite® V - HZXTHKL				
	Pendant	Ceiling	Wall	Stanchion
	VMA2B & VMA-2	VMX2B & VMX-2	VMB2B & VMB-2	VMD4B
	VMA3B & VMA-3	VMX3B & VMX-3	VMB3B & VMB-3	VMD5B
	VMC2B & VMC-2	VMX6B		VMS5B
	VMC3B & VMC-3	VMX7B		
	VMF2B	VMX8B		
VMF3B	VMX9B			

GE Lighting Solutions – Filtr-Gard™ - HZXTHGE					
	Pendant	Ceiling	Wall	Stanchion	Quad Mount
	3P	3F	3C	3W	5S
	4P	4F	4C	4W	6S
					5J
				6J	

Appleton® Mercmaster II - HZXTHM2				
	Pendant	Ceiling	Wall	Stanchion
	LPA-75	LPC-75	LPWB-75	LPS-125
	LPA-100	LPC-100	LPWB-100	LPS-150

DuroSite® LED Area Light

Ordering Information

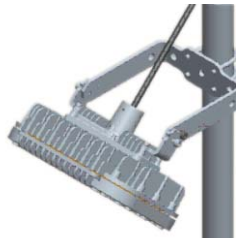
	Part Number	Description	Kit Includes
	HZXSTAN100S	1.00" (1.315" Pole OD) Slip-Fit Stanchion Mount Junction Box	Junction box Mounting hardware Cable gland (requires bracket HZXW3 or HZXW7 not included)
	HZXSTAN125S	1.25" (1.660" Pole OD) Slip-Fit Stanchion Mount Junction Box	
	HZXSTAN150S	1.50" (1.900" Pole OD) Slip-Fit Stanchion Mount Junction Box	
	HZXSTAN200S	2.00" (2.375" Pole OD) Slip-Fit Stanchion Mount Junction Box	
	HZXSTAN100T	1.00" NPT (1.315" Pole OD) Threaded Stanchion Mount Junction Box	
	HZXSTAN125T	1.25" NPT (1.660" Pole OD) Threaded Stanchion Mount Junction Box	
	HZXSTAN150T	1.50" NPT (1.900" Pole OD) Threaded Stanchion Mount Junction Box	
	HZXSTAN200T	2.00" NPT (2.375" Pole OD) Threaded Stanchion Mount Junction Box	
	HZXJB075	0.75" Ceiling / Wall / Pole Mount Junction Box	Junction box
	HZXJB100	1.00" Pole Mount Junction Box	
	HZXJB125	1.25" Pole Mount Junction Box	
	HZXJB150	1.50" Pole Mount Junction Box	
	HZXJB075PC1	0.75" Ceiling / Wall / Pole Mount Junction Box - with 120V AC Photocell	Junction box 120V AC photocell
	HZXJB100PC1	1.00" Pole Mount Junction Box - with 120V AC Photocell	
	HZXJB125PC1	1.25" Pole Mount Junction Box - with 120V AC Photocell	
	HZXJB150PC1	1.50" Pole Mount Junction Box - with 120V AC Photocell	
	HZXW3	Stainless steel bracket	Bracket Mounting hardware
	HZXW7	Aluminum bracket	
	HZXW4	Stainless steel bracket with pipe clamp	Bracket Pipe clamp Mounting hardware
	HZXW8	Aluminum bracket with pipe clamp	
	HZXSAFEKIT	Safety cable kit	2 Eyelets 2 Safety cables Mounting hardware
	HZXSAFETABS	Safety Tabs	2 Eyelets Mounting hardware

Mounting Options

Conduit



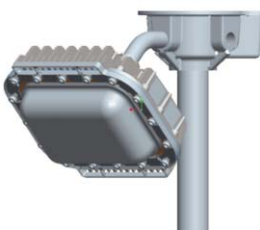
Pipe Clamp



Stanchion



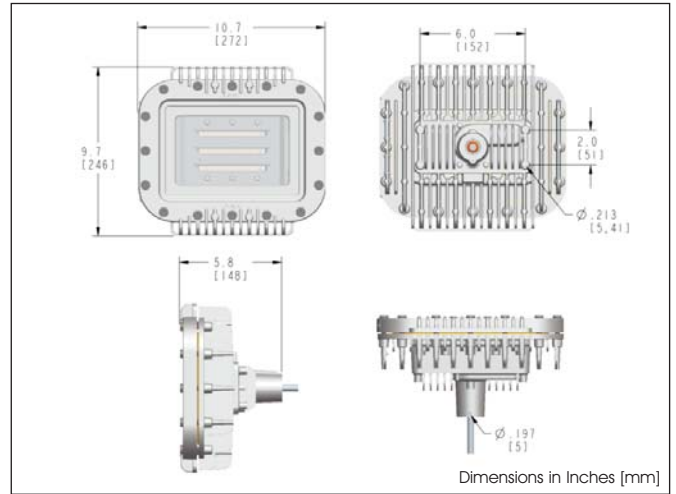
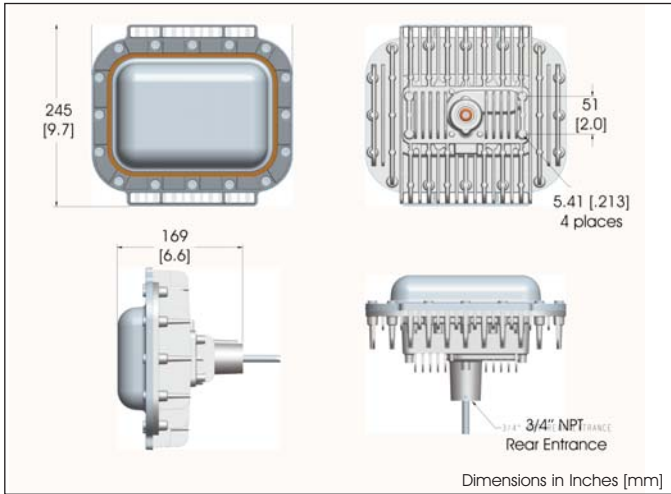
Junction Box



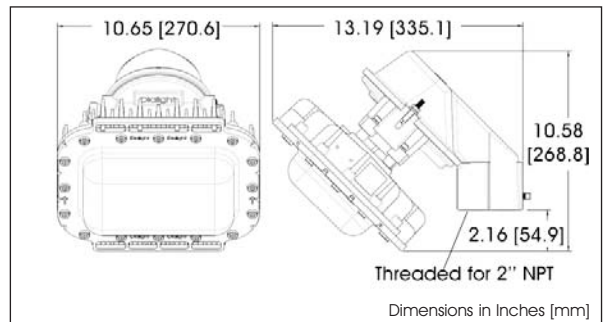
DuroSite® LED Area Light

Fixture Drawings

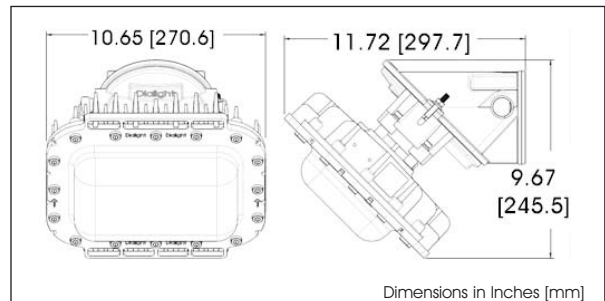
Standard Models



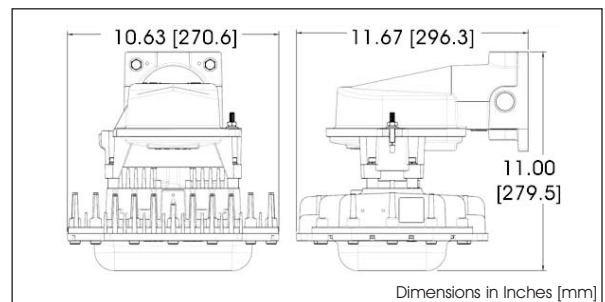
45° Stanchion Mount Models



45° Wall Mount Models

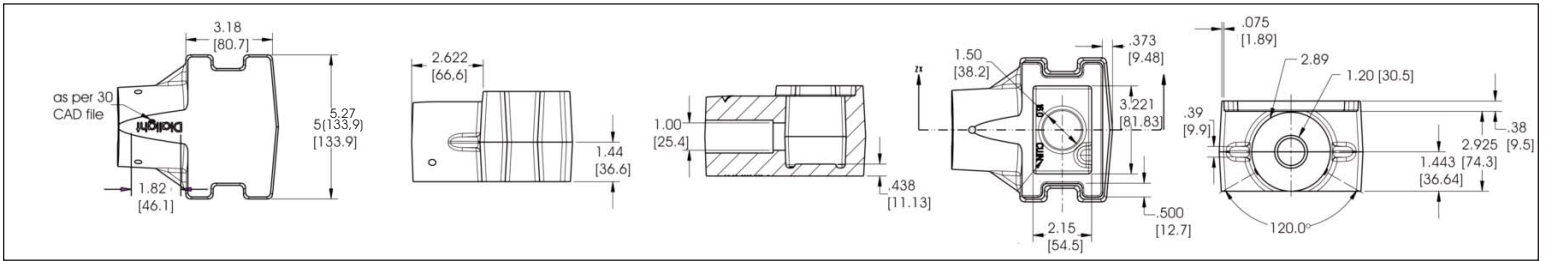


Wall Mount Models

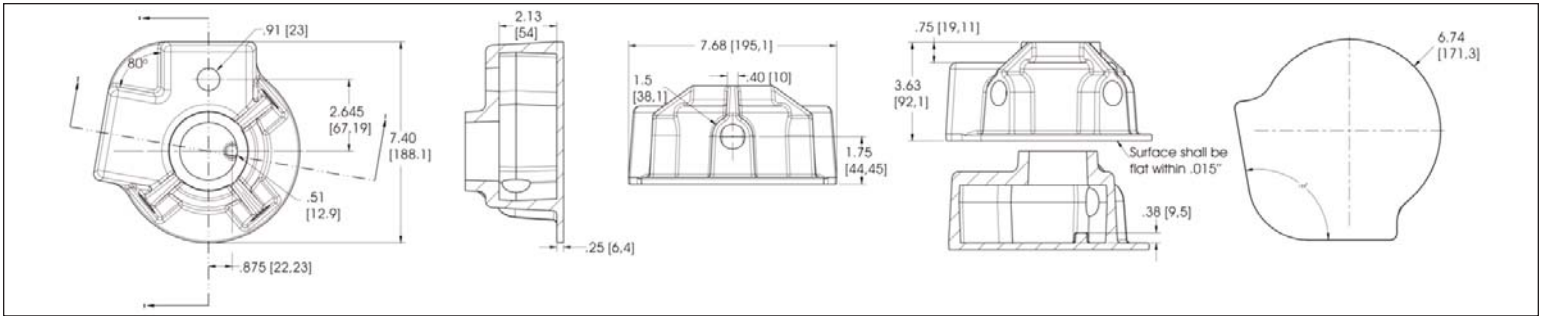


Bracket Dimensions

HZXSTANXXXX

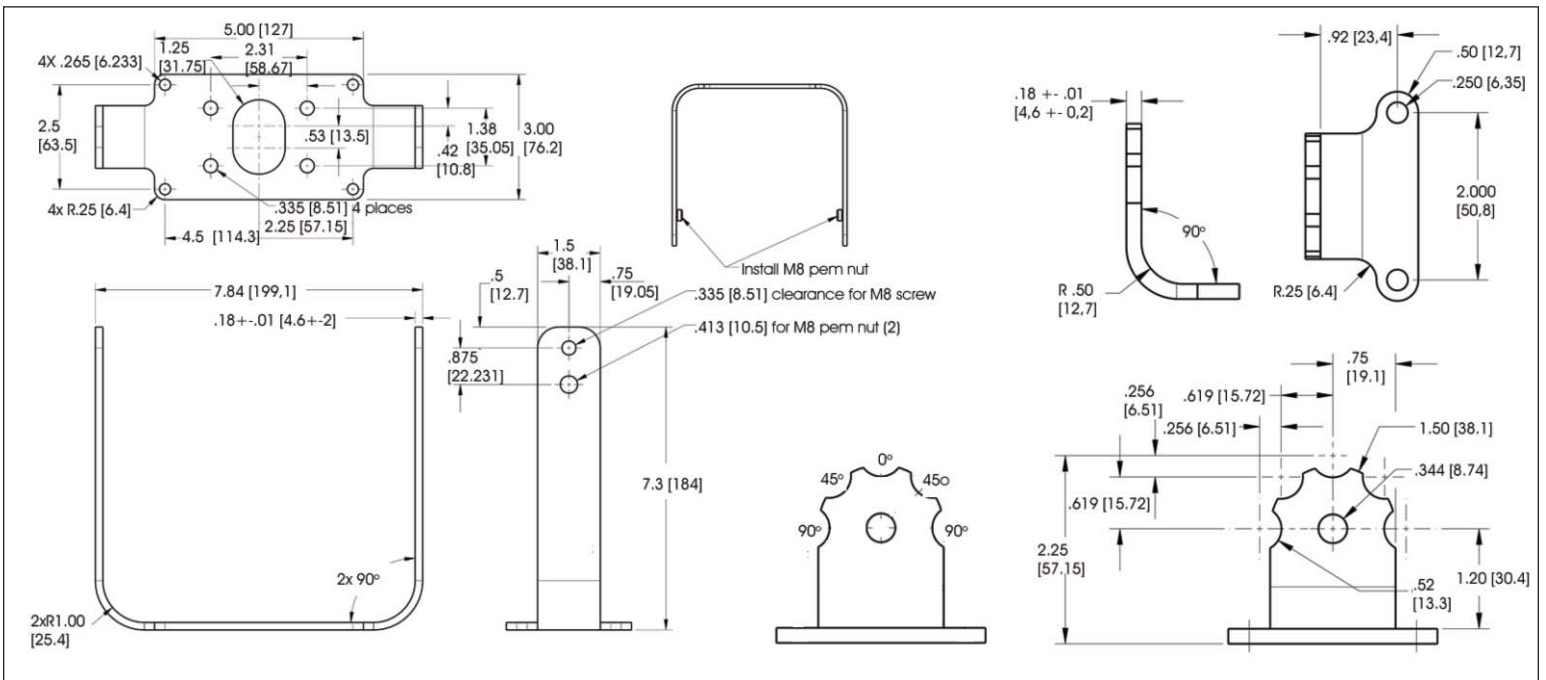


HZXJBXXX and HZXJBXXXXXX

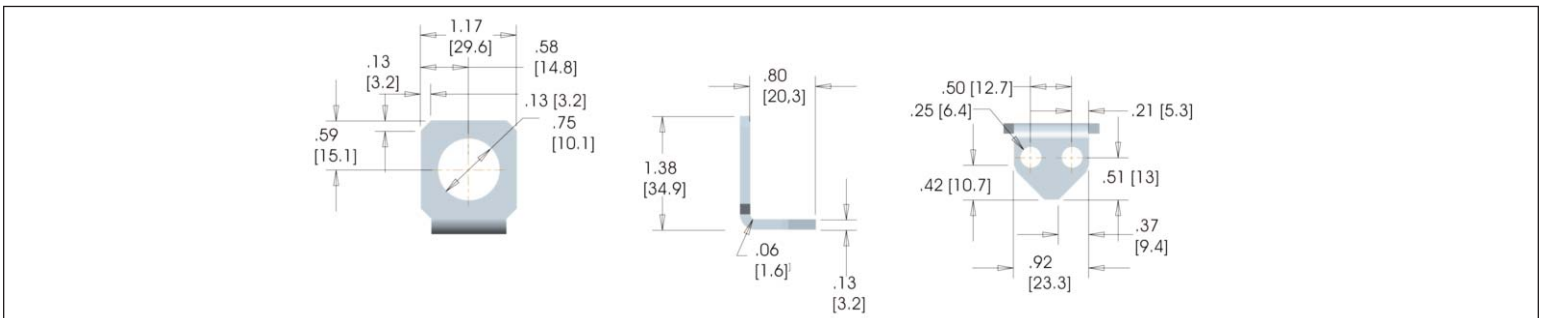


HZXW3, HZXW4, HZXW7, AND HZXW8


.25" thick; HZXW4 and HZXW8 will mount to 1.5" conduit and comes with pipe mount clamps.



HZXSAFEKIT and HZXSAFETABS

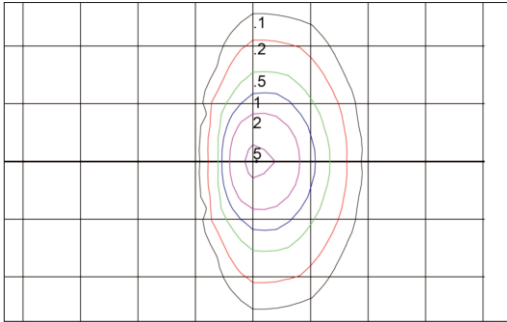


Mounting Height

Lumens	Wattage	lm/W	Mounting Heights
7,000	69	101	25'  10'
6,000	58	103	
5,000	48	104	
4,000	38	105	
2,200	21	105	

Iso-Illuminance

STW0C2N



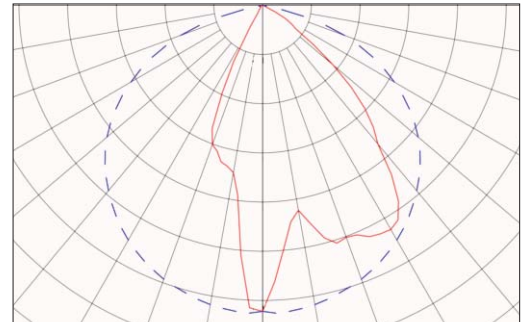
Examples shown are mounted at 15 ft
Distance of grid is equal to mounting height

180° Pattern

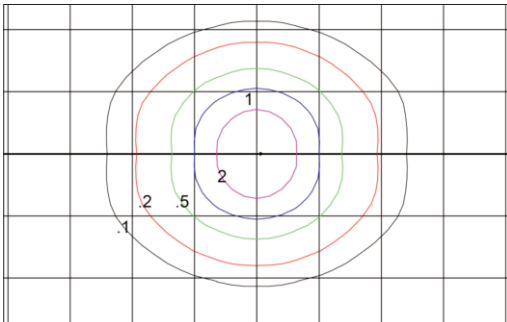
Mounting Height	Multiplier
10'	2.250
15'	1.000
20'	0.563
25'	0.360

Candela Plots

180° Pattern Mounted at 45°



STW1C2N

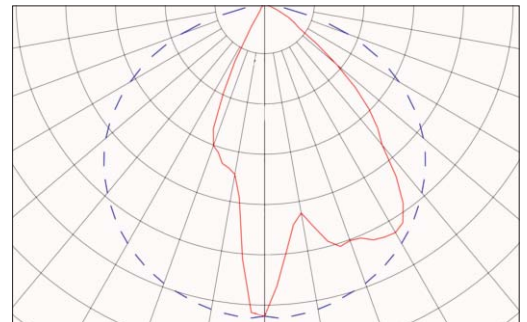


Examples shown are mounted at 15 ft
Distance of grid is equal to mounting height

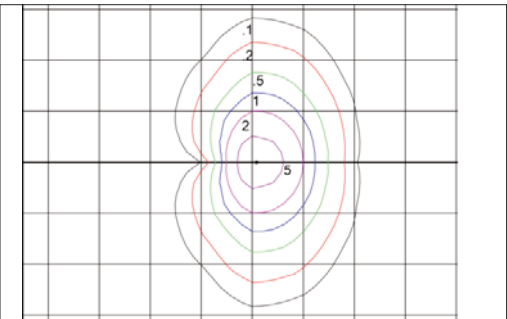
360° Pattern

Mounting Height	Multiplier
10'	2.250
15'	1.000
20'	0.563
25'	0.360

360° Pattern Mounted at 45°



STW2C2N

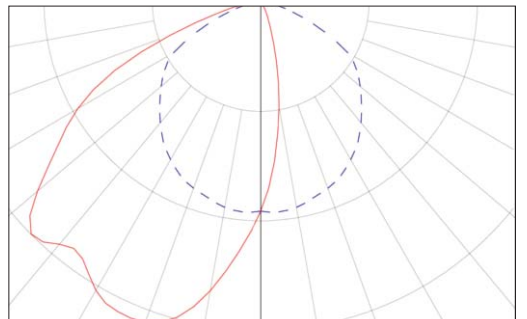


Examples shown are mounted at 15 ft
Distance of grid is equal to mounting height

180° Pattern

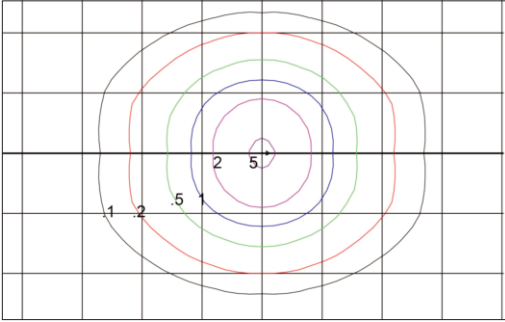
Mounting Height	Multiplier
10'	2.250
15'	1.000
20'	0.563
25'	0.360

180° Pattern Mounted at 45°



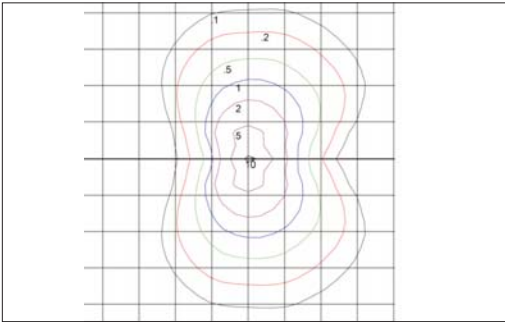
Iso-Illuminance

STW3C2N



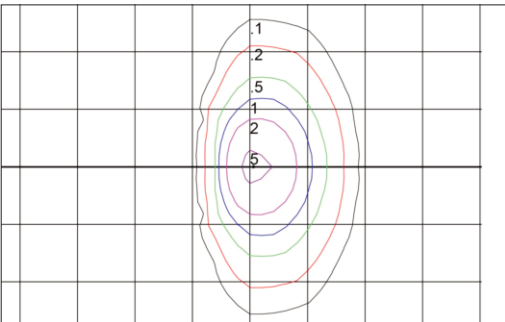
Examples shown are mounted at 15 ft
Distance of grid is equal to mounting height

STWWC2N



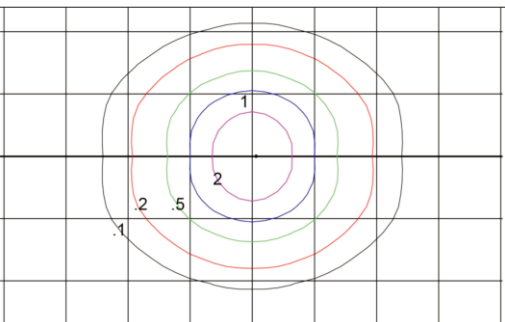
Examples shown are mounted at 15 ft
Distance of grid is equal to mounting height

STW4C2N



Examples shown are mounted at 20 ft
Distance of grid is equal to mounting height

STW5C2N



Examples shown are mounted at 20 ft
Distance of grid is equal to mounting height

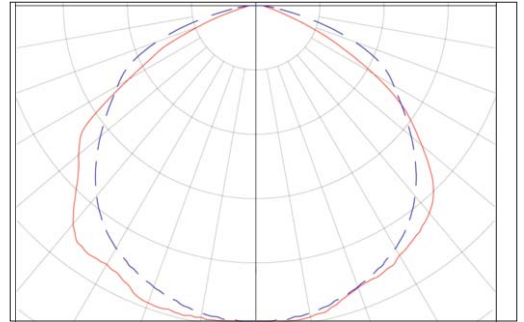
Mounting Height

360° Pattern

Mounting Height	Multiplier
10'	2.250
15'	1.000
20'	0.563
25'	0.360

Candela Plots

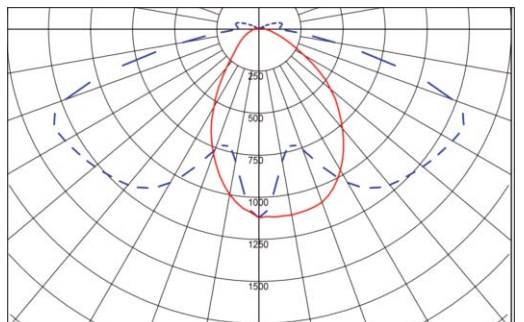
360° Pattern Mounted at 45°



Wide Throw pattern

Mounting Height	Multiplier
10'	2.250
15'	1.000
20'	0.563
25'	0.360

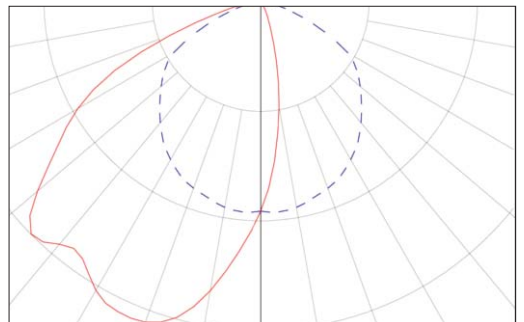
Wide Throw pattern



180° Pattern

Mounting Height	Multiplier
10'	4.000
15'	1.778
20'	1.000
25'	0.640

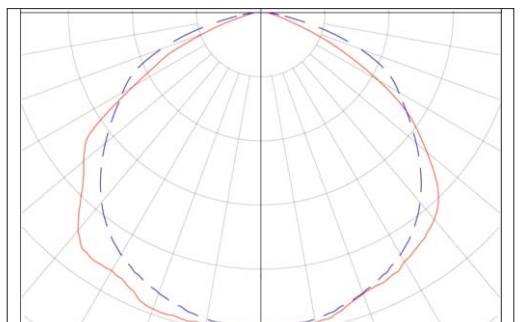
180° Pattern Mounted at 45°



360° Pattern


Mounting Height	Multiplier
10'	4.000
15'	1.778
20'	1.000
25'	0.640

360° Pattern Mounted at 45°



DuroSite® LED Area Light

Ordering Information

Part Number	Voltage	Lens ¹	Optical Pattern ¹	CCT ¹	Lumens	Wattage	LPW
							
Standard models							
STWFC2N	100 - 277V AC	Polycarbonate	360	5000K (cool white)	7,000	68	103
STW9C2N	100 - 277V AC	Polycarbonate	360	5000K (cool white)	6,000	58	103
STW5C2N	100 - 277V AC	Polycarbonate	360	5000K (cool white)	5,000	48	104
STW3C2N	100 - 277V AC	Polycarbonate	360	5000K (cool white)	4,000	38	105
STW1C2N	100 - 277V AC	Polycarbonate	360	5000K (cool white)	2,200	21	105
STWEC2N	100 - 277V AC	Polycarbonate	180	5000K (cool white)	7,000	68	103
STW8C2N	100 - 277V AC	Polycarbonate	180	5000K (cool white)	6,000	58	103
STW4C2N	100 - 277V AC	Polycarbonate	180	5000K (cool white)	4,700	48	98
STW2C2N	100 - 277V AC	Polycarbonate	180	5000K (cool white)	4,000	38	105
STW0C2N	100 - 277V AC	Polycarbonate	180	5000K (cool white)	2,200	21	105
STWWC2N	100 - 277V AC	Polycarbonate	Wide Throw	5000K (cool white)	4,100	60	68

¹180° optical pattern models are optimized for a 45° mounting angle

²Part numbers listed in the above table are 5000K (cool white) . For 4000K (neutral white) model replace the 5th character with **N** Ex: STW2**C**2N becomes STW2**N**2N

³Part numbers listed in the tables above come with a polycarbonate lens. For models needing a glass lens, replace the 7th character with a **G** Ex: STW2C2**N** becomes STW2C2**G**

⁴Part numbers listed in the above table are 100-277V AC. For 347-480V AC model replace the 6th character with **2** Ex: STW2C2**N** becomes STW2C**2**N

For Dialight's complete list of DLC qualified products, please click this link: www.dialight.com/DLC

Part Number	Mounting Brackets	Voltage ¹	Lens ¹	Optical Pattern	CCT ¹	Lumens	Wattage	LPW
								
Wall Mount								
STWFC2NW01	Wall Mount	100 - 277V AC	Polycarbonate	360	5000K (cool white)	7,000	68	103
STW9C2NW01	Wall Mount	100 - 277V AC	Polycarbonate	360	5000K (cool white)	6,000	58	103
STW5C2NW01	Wall Mount	100 - 277V AC	Polycarbonate	360	5000K (cool white)	5,000	48	104
STW3C2NW01	Wall Mount	100 - 277V AC	Polycarbonate	360	5000K (cool white)	4,000	38	105
STW1C2NW01	Wall Mount	100 - 277V AC	Polycarbonate	360	5000K (cool white)	2,200	21	105
STWEC2NW01	Wall Mount	100 - 277V AC	Polycarbonate	180	5000K (cool white)	7,000	68	103
STW8C2NW01	Wall Mount	100 - 277V AC	Polycarbonate	180	5000K (cool white)	6,000	58	103
STW4C2NW01	Wall Mount	100 - 277V AC	Polycarbonate	180	5000K (cool white)	4,700	48	98
STW2C2NW01	Wall Mount	100 - 277V AC	Polycarbonate	180	5000K (cool white)	4,000	38	105
STW0C2NW01	Wall Mount	100 - 277V AC	Polycarbonate	180	5000K (cool white)	2,200	21	105
STWWC2NW01	Wall Mount	100 - 277V AC	Polycarbonate	Wide Throw	5000K (cool white)	4,100	60	68

¹180° optical pattern models are optimized for a 45° mounting angle

²Part numbers listed in the above table are 5000K (cool white) . For 4000K (neutral white) model replace the 5th character with **N** Ex: STW2**C**2NW01 becomes STW2**N**2NW01


³Part numbers listed in the tables above come with a polycarbonate lens. For models needing a glass lens, replace the 7th character with a **G** Ex: STW2C2**N**W01 becomes STW2C2**G**W01

⁴Part numbers listed in the above table are 100-277V AC. For 347-480V AC model replace the 6th character with **2** Ex: STW2C2**N**W01 becomes STW2C**2**NW01

For Dialight's complete list of DLC qualified products, please click this link: www.dialight.com/DLC

DuroSite® LED Area Light

Ordering Information - Mounting Brackets

Part Number	Mounting Brackets	Voltage	Lens	Optical Pattern	CCT	Lumens	Wattage	LPW
								
45° Wall Mount Bracket								
STWFC2NW45	45° Wall Mount	100 - 277V AC	Polycarbonate	360	5000K (cool white)	7,000	68	103
STW9C2NW45	45° Wall Mount	100 - 277V AC	Polycarbonate	360	5000K (cool white)	6,000	58	103
STW5C2NW45	45° Wall Mount	100 - 277V AC	Polycarbonate	360	5000K (cool white)	5,000	48	104
STW3C2NW45	45° Wall Mount	100 - 277V AC	Polycarbonate	360	5000K (cool white)	4,000	38	105
STW1C2NW45	45° Wall Mount	100 - 277V AC	Polycarbonate	360	5000K (cool white)	2,200	21	105
STWEC2NW45	45° Wall Mount	100 - 277V AC	Polycarbonate	180	5000K (cool white)	7,000	68	103
STW8C2NW45	45° Wall Mount	100 - 277V AC	Polycarbonate	180	5000K (cool white)	6,000	58	103
STW4C2NW45	45° Wall Mount	100 - 277V AC	Polycarbonate	180	5000K (cool white)	4,700	48	98
STW2C2NW45	45° Wall Mount	100 - 277V AC	Polycarbonate	180	5000K (cool white)	4,000	38	105
STW0C2NW45	45° Wall Mount	100 - 277V AC	Polycarbonate	180	5000K (cool white)	2,200	21	105
STWWC2NW45	45° Wall Mount	100 - 277V AC	Polycarbonate	Wide Throw	5000K (cool white)	4,100	60	68


¹180° optical pattern models are optimized for a 45° mounting angle

²Part numbers listed in the above table are 5000K (cool white) . For 4000K (neutral white) model replace the 5th character with **N** Ex: STW2**C**2NW45 becomes STW2**N**2NW45

³Part numbers listed in the tables above come with a polycarbonate lens. For models needing a glass lens, replace the 7th character with a **G** Ex: STW2C2**N**W45 becomes STW2C2**G**W45

⁴Part numbers listed in the above table are 100-277V AC. For 347-480V AC model replace the 6th character with **2** Ex: STW2C2**N**W45 becomes STW2C2**2**NW45

For Dialight's complete list of DLC qualified products, please click this link: www.dialight.com/DLC

Part Number	Mounting Brackets	Voltage	Lens	Optical Pattern	CCT	Lumens	Wattage	LPW
								
45° Stanchion Mount Bracket								
STWFC2NS45	45° Stanchion Mount	100 - 277V AC	Polycarbonate	360	5000K (cool white)	7,000	68	103
STW9C2NS45	45° Stanchion Mount	100 - 277V AC	Polycarbonate	360	5000K (cool white)	6,000	58	103
STW5C2NS45	45° Stanchion Mount	100 - 277V AC	Polycarbonate	360	5000K (cool white)	5,000	48	104
STW3C2NS45	45° Stanchion Mount	100 - 277V AC	Polycarbonate	360	5000K (cool white)	4,000	38	105
STW1C2NS45	45° Stanchion Mount	100 - 277V AC	Polycarbonate	360	5000K (cool white)	2,200	21	105
STWEC2NS45	45° Stanchion Mount	100 - 277V AC	Polycarbonate	180	5000K (cool white)	7,000	68	103
STW8C2NS45	45° Stanchion Mount	100 - 277V AC	Polycarbonate	180	5000K (cool white)	6,000	58	103
STW4C2NS45	45° Stanchion Mount	100 - 277V AC	Polycarbonate	180	5000K (cool white)	4,700	48	98
STW2C2NS45	45° Stanchion Mount	100 - 277V AC	Polycarbonate	180	5000K (cool white)	4,000	38	105
STW0C2NS45	45° Stanchion Mount	100 - 277V AC	Polycarbonate	180	5000K (cool white)	2,200	21	105
STWWC2NS45	45° Stanchion Mount	100 - 277V AC	Polycarbonate	Wide Throw	5000K (cool white)	4,100	60	68

¹180° optical pattern models are optimized for a 45° mounting angle

²Part numbers listed in the above table are 5000K (cool white) . For 4000K (neutral white) model replace the 5th character with **N** Ex: STW2**C**2NS45 becomes STW2**N**2NS45

³Part numbers listed in the tables above come with a polycarbonate lens. For models needing a glass lens, replace the 7th character with a **G** Ex: STW2C2**N**S45 becomes STW2C2**G**S45

⁴Part numbers listed in the above table are 100-277V AC. For 347-480V AC model replace the 6th character with **2** Ex: STW2C2**N**S45 becomes STW2C2**2**NS45

For Dialight's complete list of DLC qualified products, please click this link: www.dialight.com/DLC

Dialight reserves the right to make changes at any time in order to supply the best product possible. The most current version of this document will always be available at: www.dialight.com/Assets/Brochures_And_Catalogs/Illumination/MDTFHZHAZX001.pdf. Warranty Statement: EXCEPT FOR THE WARRANTY EXPRESSLY PROVIDED FOR [HEREIN/ABOVE/BELOW], DIALIGHT DISCLAIMS ANY AND ALL OTHER WARRANTIES, EXPRESS OR IMPLIED, INCLUDING, WITHOUT LIMITATION, ANY WARRANTIES OF MERCHANTABILITY, FITNESS FOR A PARTICULAR PURPOSE, TITLE, AND NON-INFRINGEMENT.