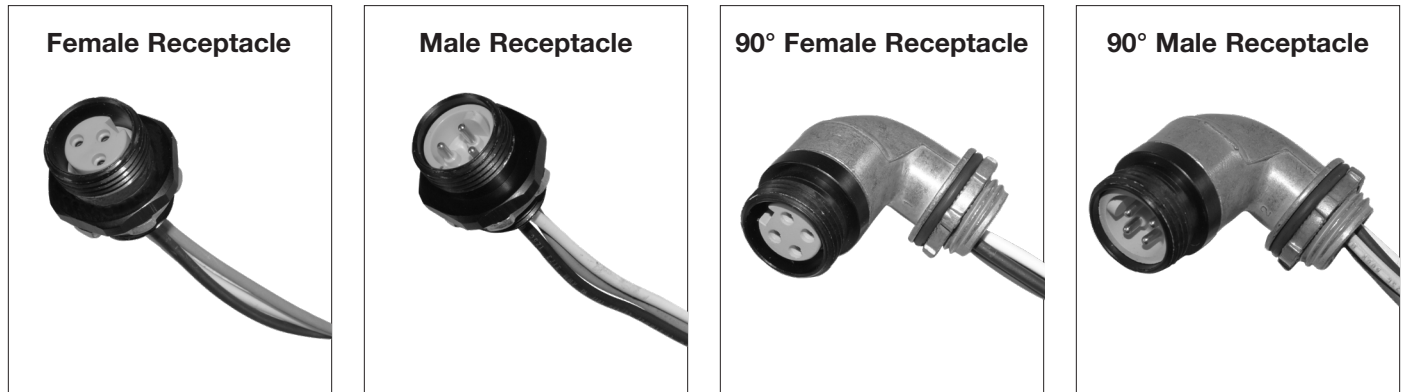


16 AWG Quick-Connect™ Receptacles (2-6 Pole)

- UL Recognized
- cUL
- IP69K Rated
- RoHS Compliant
- 600 V

16 AWG Quick-Connect™ 2-6 pole receptacles are available in female (back mounted and 90°) with 4 foot pigtails and male (back mounted and 90°) with 1 foot pigtails. O-ring and locknut included; closure caps with chain are sold separately.



FEATURES & BENEFITS

- RECEPTACLE INSERTS ARE SPECIALLY COMPOUNDED, THERMO PLASTIC ELASTOMER** — Provides long flex life, resists heat and oil deterioration.
- MOLDED AND KEYED ASSEMBLY** — Provides rapid and secure connect and disconnect. Ensures a water, oil, and dust tight seal.
- HARD COATED MIL SPEC. ANODIZED ALUMINUM RECEPTACLE SHELL** — Resists corrosion, provides quick and secure assembly.
- SOLID BRASS CONTACT PINS ARE NICKEL COATED AND GOLD PLATED, MACHINE CRIMPED TO CONDUCTORS** — Provides long life, resists corrosion, easy positive engagement. Excellent for high/low voltage and low level signal applications.
- UNIQUE STAINLESS STEEL SLEEVE OVER THE GOLD PLATED FEMALE PINS** — Prevents pin deformation resulting in loss of signal and electrical continuity. Superior performance in high vibration and continuous motion environments. Probe proof.
- EXTRA LONG GROUNDING PIN** — Ensures first-in, last-out contact for safety.
- FLUOROELASTOMER SEALING O-RING AND LOCKNUT** — Seals out oil, chemicals and other contaminants. Locknut included with each unit.
- 16 AWG STRANDED, TINNED COPPER PIGTAILS INSULATED WITH 125°C CROSS-LINKED POLYETHYLENE** — Provides excellent oil and heat resistance.

ORDERING INFORMATION (MINIMUM PURCHASE MAY BE REQUIRED IF PRODUCT NOT STOCKED)

FEMALE RECEPTACLES (48" PIGTAILS)						
PART NO.					FEET	METERS
2 POLE	3 POLE	4 POLE	5 POLE	6 POLE		
RL12CPTF004	RL13CPTF004	RL14CPTF004	RL15CPTF004	RL16CPTF004	4	1.22

FEMALE 90° RECEPTACLES (48" PIGTAILS)						
PART NO.					FEET	METERS
2 POLE	3 POLE	4 POLE	5 POLE	6 POLE		
RL12DPTF004	RL13DPTF004	RL14DPTF004	RL15DPTF004	-	4	1.22

MALE RECEPTACLES (12" PIGTAILS)						
PART NO.					FEET	METERS
2 POLE	3 POLE	4 POLE	5 POLE	6 POLE		
RL12APTF001	RL13APTF001	RL14APTF001	RL15APTF001	RL16APTF001	1	0.3

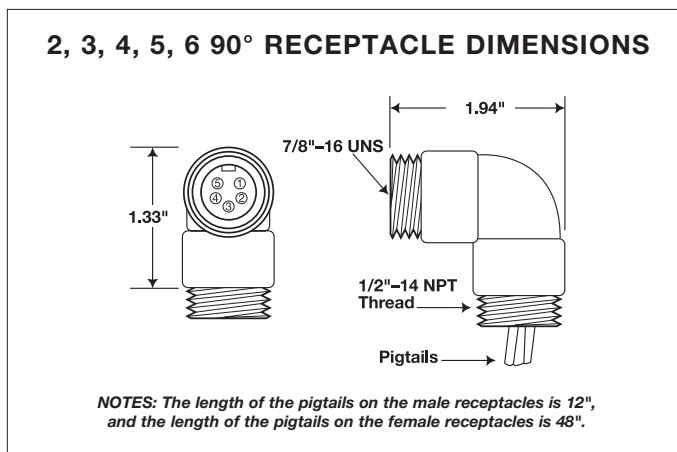
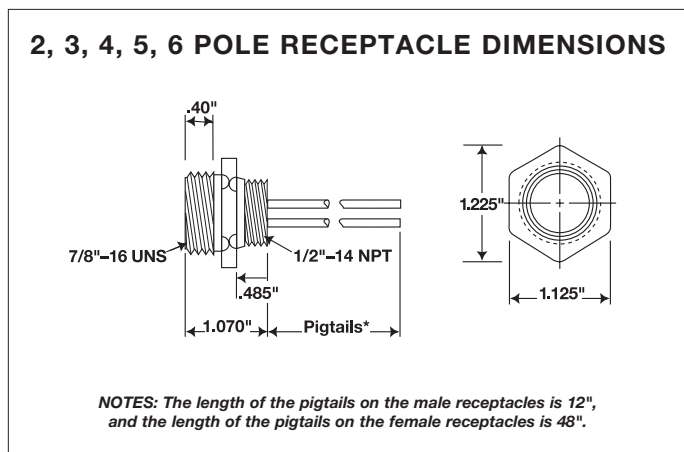
Mini Quick-Connects™
 Micro Quick-Connects™
 Nano Quick-Connects™
 Specialty Quick-Connects™
 Ethernet Cable Assemblies
 7 Pin Molded Valve Plug
 DIN Connectors
 Extension Cords
 M23 Connector Assemblies
 Military Connectors
 Rectangular Connectors

16 AWG Quick-Connect™ Receptacles (2-6 Pole) (Continued)

ORDERING INFORMATION (MINIMUM PURCHASE MAY BE REQUIRED IF PRODUCT NOT STOCKED)

MALE 90° RECEPTACLES (12" PIGTAILS)					PIGTAIL LENGTH FEET	METERS
PART NO.						
2 POLE	3 POLE	4 POLE	5 POLE	6 POLE		
RL12BPTF001	RL13BPTF001	RL14BPTF001	RL15BPTF001	-	1	0.3

DIMENSIONAL INFORMATION



FACE VIEW OF FEMALE CONNECTORS "A" SIZE (7/8"-16 COUPLING THREAD)

2 POLE	3 POLE	4 POLE	5 POLE	6 POLE A Size
1. White 2. Black	1. Green 2. Black 3. White	1. Black 2. White 3. Red 4. Green	1. White 2. Red 3. Green 4. Orange 5. Black	1. White 2. Red 3. Green 4. Orange 5. Black 6. Blue