

Highlights

- Multiple sensor design (up to 8 sensing heads for 1 box)
- Plug & Play (automatic head detection)
- Rugged IP rated metal box or fast mountable DIN rail box
- All boxes support all MI3 spectral models
- Failsafe functions (internal temp., break of head cable)
- Isolated alarm relay output
- User configurable inputs for remote sensor configuration
- Analog outputs with galvanic isolation
- USB 2.0 interface as standard
- Optional serial RS485 communication interface with the protocols: ASCII, Profibus, Modbus®
- Optional Ethernet communication interface with the protocols: ASCII, http, Profinet IO
- Intuitive user interface with high resolution LCD display
- Advanced on-board signal processing like: peak & valley hold, intelligent averaging (flicker)
- Datatemp® Multidrop Software for remote monitoring

Measurement Specifications

Accuracy

mA / V output	±1°C
Thermocouple output	±1,5°C

Temperature Resolution

mA/V output	0,1°C ¹ / 12 bit (metal box, MI3COMM)
mA/V output	0,02°C / 16 bit (analog DIN rail box)

Temperature Coefficient

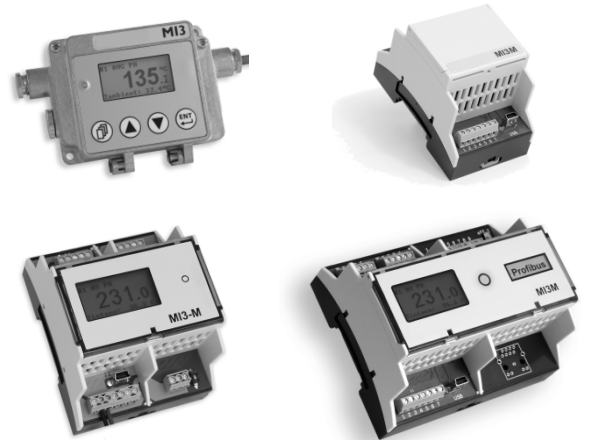
mA/V output	± 0.02 K / K
Thermocouple output	± 0.05 K / K

¹ for a zoomed temperature span of < 500°C

Interfaces

Outputs	4 – 20 mA, 0 – 20 mA, 0 – 5 V, or 0 – 10 V J, K, R, or S thermocouple, 0 – 5 V head ambient signal
Relay	48 V / 300 mA (solid-state relay, potential-free)
Inputs (1 - 3)	1. Emissivity ε setting (analog, 0 - 5 V _{DC}) 2. Background radiation compensation (analog, 0 - 5 V _{DC}) 3. Trigger/hold or laser switching (digital, high/low) or digital emissivity control via inputs 1 to 3
Communications	USB 2.0 RS485 Profibus DP-V0 Profinet IO Ethernet TCP/IP, http and 64 MB data logger Modbus RTU

MI3 Box Datasheet



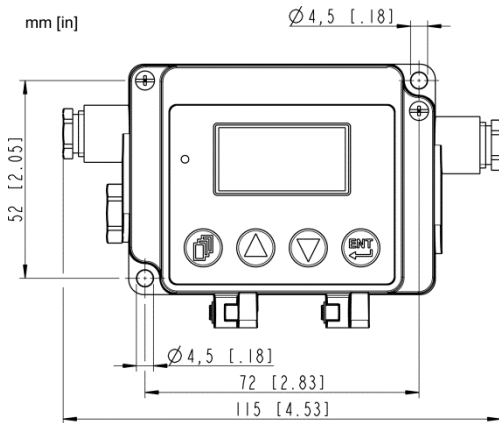
General Specifications

Power Supply	8 to 32 VDC, 5 W
Ambient Temperature	-10 to 65°C
Storage Temperature	-20 to 85°C
Environmental	IP65 (MI3COMM only)
EMC	EN 61326-1:2006
Material	die cast zinc (MI3COMM) molded plastic (all other boxes)

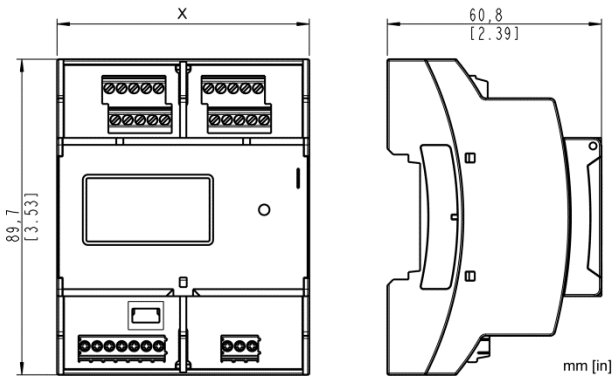
Comm Box	MI3COMM...	MI3MCOMM DIN 3TE	MI3MCOMM DIN 4TE	MI3MCOMM... DIN 6TE
Firmware	8 heads	8 heads	8 heads	8 heads
Wiring	1 head	4 heads	4 heads	4 heads
Display, Button	✓	–	✓	✓
Outputs:				
mA / V	✓	–	–	4x (optional)
TC	✓	–	–	–
Relay	✓	✓	✓	✓
Inputs:				
ε – analog	✓	–	–	–
ε – digital	✓	–	–	–
T _{Background}	✓	–	–	–
Trigger/Hold	✓	✓	✓	✓
Laser Switch	✓	✓	✓	✓
Interfaces:				
USB	standard	standard	standard	standard
RS485	optional	–	standard	–
Profibus	optional	–	–	optional
Profinet	optional	–	–	optional
Ethernet	optional	–	–	optional
Modbus	optional	–	–	optional

Dimensions

Metal Box (MI3COMM)



DIN Rail Box (MI3COMM...)



Width	MI3COMMN	MI3COMM	MI3COMM...
X	DIN 3TE: 53.6 mm	DIN 4TE: 71.6 mm	DIN 6TE: 107.6 mm

Options

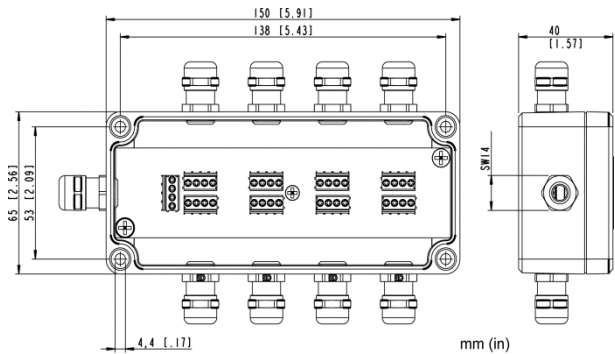
Options must be specified at time of order.

- Fieldbuses for Comm Box:
RS485, Profibus, Profinet, Ethernet, Modbus
- 4 analog output channels for Comm Box, DIN 6TE:
mA or V, all channels electrically isolated

Accessories

Accessories include items that may be ordered at any time and added on-site:

- Multi-Channel Box to support up to 8 sensing heads in a network (XXXMICONNBOX)
- USB/RS485 Adapter for boxes with RS485 interface (XXXUSB485)



Multi-Channel Box (XXXMI3CONNBOX)

www.raytek.com

53601, Rev. B, 04/2013 -

Raytek and the Raytek logo are registered trademarks of Raytek Corporation. Specifications subject to change without notice. Raytek is ISO 9001 certified. Profibus is a registered trademark of Profibus Nutzerorganisation. Modbus is a registered trademark of Modbus Organization, Inc.

Worldwide Headquarters
Santa Cruz, CA USA
Tel: +1 831 458 - 3900
+1 800 227 - 8074
solutions@raytek.com

European Headquarters
Berlin, Germany
Tel: +49 30 47 80 08 0
Fax: +49 30 4 71 02 51
raytek@raytek.de



United Kingdom
ukinfo@raytek.com

France
info@raytek.fr

sales@GlobalTestSupply.com

Raytek-Direct.com

Ravtek®

1.888.610.7664