

**CONCEPT, TYPE 4X**

**INDUSTRY STANDARDS**

Mounting brackets required to meet UL/CSA external mounting requirements.

UL 508A Listed; Type 3R, 4, 4X, 12; File No. E61997  
 cUL Listed per CSA C22.2 No 94; Type 3R, 4, 4X, 12; File No. E61997

NEMA/EEMAC Type 3R, 4, 4X, 12, 13  
 CSA File No. 42186: Type 4, 4X, 12  
 VDE IP66  
 IEC 60529, IP66  
 Meets NEMA Type 3RX requirements

**APPLICATION**

For indoor or outdoor applications that require corrosion protection from chemicals and water. Concept Enclosures feature streamlined styling with an attractive stroked finish and flush quarter-turn latches for secure closure. Available in solid- and window-door models.

**SPECIFICATIONS**

- Manufactured from Type 304 or Type 316L stainless steel
- Minimum-width body flange provides maximum body opening
- External formed 90-degree body flange
- Panel mounting studs fit optional Concept panels and other accessories
- Mounting holes in back of body for direct mounting or for optional external mounting brackets
- Type 316 stainless steel hidden hinges promote clean aesthetic appearance
- Corner formed doors are interchangeable and easily removed by pulling clip-style hinge pins
- Provision on door (except window-door style and when B = 12 in.) for thermoplastic data pocket
- Provision on door (except window-door style and when B = 12 in.) for optional doorstop kit
- Quarter-turn latches furnished with flush slotted insert
- Seamless foam-in-place gasket
- Self-grounding latch system with double seal
- Bonding provision on door; grounding stud on body
- Furnished hardware kit consists of panel-mounting nuts, panel-grounding hardware and sealing washers for wall-mounting holes
- Installation instructions
- Window doors have a clear polycarbonate window

**FINISH**

Door and body have smooth #4 brushed finish.

**ACCESSORIES**

Type 316 Stainless Steel Door Stop Kit  
 Concept panels  
 H2Omit Vent Drains, Type 4X  
 H2Omit Thermoelectric Dehumidifier  
 Handles  
 Lock Inserts  
 HF Side-Mount Filter Fans  
 Steel, Stainless Steel and Non-Metallic Window Kits  
 PaneLite Enclosure Lights  
 Hol-Sealers Hole Seals

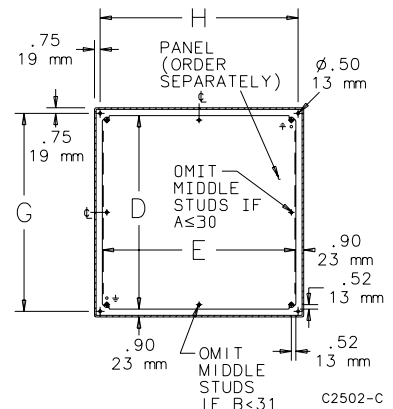
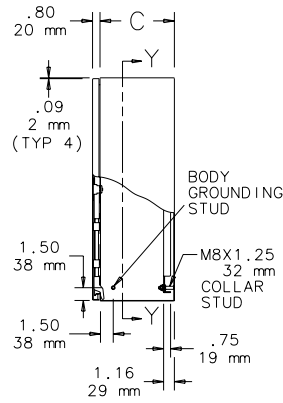
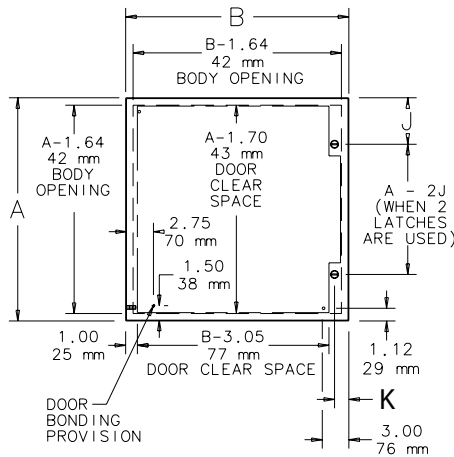
**MODIFICATION AND CUSTOMIZATION**

nVent HOFFMAN excels at modifying and customizing products to your specifications. Contact your local nVent HOFFMAN sales office or distributor for complete information.

**BULLETIN: CWS**
**Standard Product One-Door**

| Catalog Number | AxBxC in.            | AxBxC mm        | Door Gauge | Body Gauge | Panel  | Conductive Panel | Panel Size D x E (in.) | Panel Size G x H (mm) | Mounting G x H (in.) | Mounting G x H (mm) | Latches Qty. | Style        | J (in.) | J (mm) |
|----------------|----------------------|-----------------|------------|------------|--------|------------------|------------------------|-----------------------|----------------------|---------------------|--------------|--------------|---------|--------|
| CSD12126SS     | 12.00 x 12.00 x 6.00 | 305 x 305 x 152 | 16         | 16         | CP1212 | CP1212G          | 10.20 x 10.20          | 259 x 259             | 10.50 x 10.50        | 267 x 267           | 1            | Quarter-turn | 6.00    | 152    |
| CSD12126SS6    | 12.00 x 12.00 x 6.00 | 305 x 305 x 152 | 16         | 16         | CP1212 | CP1212G          | 10.20 x 10.20          | 259 x 259             | 10.50 x 10.50        | 267 x 267           | 1            | Quarter-turn | 6.00    | 152    |
| CSD12246SS     | 12.00 x 24.00 x 6.00 | 305 x 610 x 152 | 16         | 16         | CP2412 | CP2412G          | 22.20 x 10.20          | 564 x 259             | 10.50 x 22.50        | 268 x 572           | 1            | Quarter-turn | 6.00    | 152    |
| CSD12246SS6    | 12.00 x 24.00 x 6.00 | 305 x 610 x 152 | 16         | 16         | CP2412 | CP2412G          | 22.20 x 10.20          | 564 x 259             | 10.50 x 22.50        | 268 x 572           | 1            | Quarter-turn | 6.00    | 152    |
| CSD16126SS     | 16.00 x 12.00 x 6.00 | 406 x 305 x 152 | 16         | 16         | CP1612 | CP1612G          | 14.20 x 10.20          | 361 x 259             | 14.50 x 10.50        | 368 x 267           | 1            | Quarter-turn | 8.00    | 203    |
| CSD16126SS6    | 16.00 x 12.00 x 6.00 | 406 x 305 x 152 | 16         | 16         | CP1612 | CP1612G          | 14.20 x 10.20          | 361 x 259             | 14.50 x 10.50        | 368 x 267           | 1            | Quarter-turn | 8.00    | 203    |
| CSD16166SS     | 16.00 x 16.00 x 6.00 | 406 x 406 x 152 | 16         | 16         | CP1616 | CP1616G          | 14.20 x 14.20          | 361 x 361             | 14.50 x 14.50        | 368 x 368           | 1            | Quarter-turn | 8.00    | 203    |
| CSD16166SS6    | 16.00 x 16.00 x 6.00 | 406 x 406 x 152 | 16         | 16         | CP1616 | CP1616G          | 14.20 x 14.20          | 361 x 361             | 14.50 x 14.50        | 368 x 368           | 1            | Quarter-turn | 8.00    | 203    |
| CSD20166SS     | 20.00 x 16.00 x 6.00 | 508 x 406 x 152 | 16         | 16         | CP2016 | CP2016G          | 18.20 x 14.20          | 462 x 361             | 18.50 x 14.50        | 470 x 368           | 1            | Quarter-turn | 10.00   | 254    |
| CSD20166SS6    | 20.00 x 16.00 x 6.00 | 508 x 406 x 152 | 16         | 16         | CP2016 | CP2016G          | 18.20 x 14.20          | 462 x 361             | 18.50 x 14.50        | 470 x 368           | 1            | Quarter-turn | 10.00   | 254    |
| CSD20206SS     | 20.00 x 20.00 x 6.00 | 508 x 508 x 152 | 16         | 16         | CP2020 | CP2020G          | 18.20 x 18.20          | 462 x 462             | 18.50 x 18.50        | 470 x 470           | 1            | Quarter-turn | 10.00   | 254    |
| CSD20206SS6    | 20.00 x 20.00 x 6.00 | 508 x 508 x 152 | 16         | 16         | CP2020 | CP2020G          | 18.20 x 18.20          | 462 x 462             | 18.50 x 18.50        | 470 x 470           | 1            | Quarter-turn | 10.00   | 254    |
| CSD24206SS     | 24.00 x 20.00 x 6.00 | 610 x 508 x 152 | 16         | 16         | CP2420 | CP2420G          | 22.20 x 18.20          | 564 x 462             | 22.50 x 18.50        | 572 x 470           | 1            | Quarter-turn | 12.00   | 305    |
| CSD24206SS6    | 24.00 x 20.00 x 6.00 | 610 x 508 x 152 | 16         | 16         | CP2420 | CP2420G          | 22.20 x 18.20          | 564 x 462             | 22.50 x 18.50        | 572 x 470           | 1            | Quarter-turn | 12.00   | 305    |
| CSD30166SS     | 30.00 x 16.00 x 6.00 | 762 x 406 x 152 | 16         | 16         | CP3016 | CP3016G          | 28.20 x 14.20          | 716 x 361             | 28.50 x 14.50        | 724 x 368           | 2            | Quarter-turn | 5.00    | 127    |
| CSD30166SS6    | 30.00 x 16.00 x 6.00 | 762 x 406 x 152 | 16         | 16         | CP3016 | CP3016G          | 28.20 x 14.20          | 716 x 361             | 28.50 x 14.50        | 724 x 368           | 2            | Quarter-turn | 5.00    | 127    |
| CSD16128SS     | 16.00 x 12.00 x 8.00 | 406 x 305 x 203 | 16         | 16         | CP1612 | CP1612G          | 14.20 x 10.20          | 361 x 259             | 14.50 x 10.50        | 368 x 267           | 1            | Quarter-turn | 8.00    | 203    |
| CSD16128SS6    | 16.00 x 12.00 x 8.00 | 406 x 305 x 203 | 16         | 16         | CP1612 | CP1612G          | 14.20 x 10.20          | 361 x 259             | 14.50 x 10.50        | 368 x 267           | 1            | Quarter-turn | 8.00    | 203    |
| CSD16168SS     | 16.00 x 16.00 x 8.00 | 406 x 406 x 203 | 16         | 16         | CP1616 | CP1616G          | 14.20 x 14.20          | 361 x 361             | 14.50 x 14.50        | 368 x 368           | 1            | Quarter-turn | 8.00    | 203    |
| CSD16168SS6    | 16.00 x 16.00 x 8.00 | 406 x 406 x 203 | 16         | 16         | CP1616 | CP1616G          | 14.20 x 14.20          | 361 x 361             | 14.50 x 14.50        | 368 x 368           | 1            | Quarter-turn | 8.00    | 203    |
| CSD16208SS     | 16.00 x 20.00 x 8.00 | 406 x 508 x 203 | 16         | 16         | CP2016 | CP2016G          | 18.20 x 14.20          | 462 x 361             | 18.50 x 18.50        | 470 x 368           | 1            | Quarter-turn | 8.00    | 203    |
| CSD16208SS6    | 16.00 x 20.00 x 8.00 | 406 x 508 x 203 | 16         | 16         | CP2016 | CP2016G          | 18.20 x 14.20          | 462 x 361             | 18.50 x 18.50        | 470 x 368           | 1            | Quarter-turn | 8.00    | 203    |
| CSD20168SS     | 20.00 x 16.00 x 8.00 | 508 x 406 x 203 | 16         | 16         | CP2016 | CP2016G          | 18.20 x 14.20          | 462 x 361             | 18.50 x 14.50        | 470 x 368           | 1            | Quarter-turn | 10.00   | 254    |
| CSD20168SS6    | 20.00 x 16.00 x 8.00 | 508 x 406 x 203 | 16         | 16         | CP2016 | CP2016G          | 18.20 x 14.20          | 462 x 361             | 18.50 x 14.50        | 470 x 368           | 1            | Quarter-turn | 10.00   | 254    |
| CSD20208SS     | 20.00 x 20.00 x 8.00 | 508 x 508 x 203 | 16         | 16         | CP2020 | CP2020G          | 18.20 x 18.20          | 462 x 462             | 18.50 x 18.50        | 470 x 470           | 1            | Quarter-turn | 10.00   | 254    |
| CSD20208SS6    | 20.00 x 20.00 x 8.00 | 508 x 508 x 203 | 16         | 16         | CP2020 | CP2020G          | 18.20 x 18.20          | 462 x 462             | 18.50 x 18.50        | 470 x 470           | 1            | Quarter-turn | 10.00   | 254    |
| CSD20248SS     | 20.00 x 24.00 x 8.00 | 508 x 610 x 203 | 16         | 16         | CP2420 | CP2420G          | 22.20 x 18.20          | 564 x 462             | 18.50 x 22.50        | 470 x 572           | 1            | Quarter-turn | 10.00   | 254    |
| CSD20248SS6    | 20.00 x 24.00 x 8.00 | 508 x 610 x 203 | 16         | 16         | CP2420 | CP2420G          | 22.20 x 18.20          | 564 x 462             | 18.50 x 22.50        | 470 x 572           | 1            | Quarter-turn | 10.00   | 254    |
| CSD24168SS     | 24.00 x 16.00 x 8.00 | 610 x 406 x 203 | 16         | 16         | CP2416 | CP2416G          | 22.20 x 14.20          | 564 x 361             | 22.50 x 14.50        | 572 x 368           | 1            | Quarter-turn | 12.00   | 305    |




 SECTION Y-Y  
(WITH PANEL INSTALLED)

**Standard Product One-Door with Window**

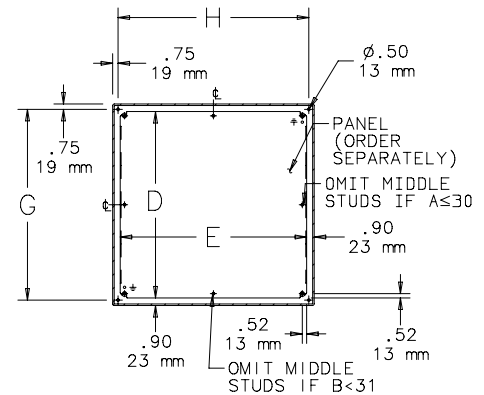
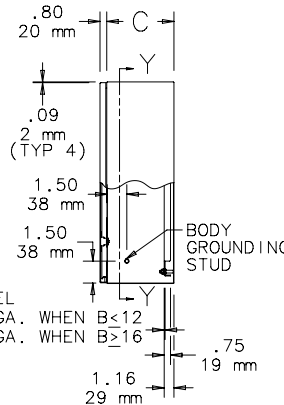
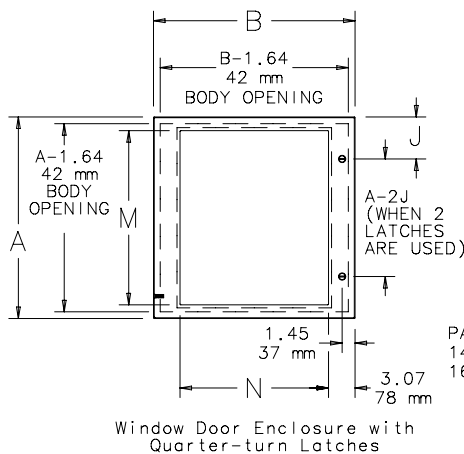
| Catalog Number | AxBxC in.             | AxBxC mm        | Door Ga. | Body Ga. | Panel  | Panel Size D x E (in.) | Panel Size D x E (mm) | Mounting G x H (in.) | Mounting G x H (mm) | Window Size M x N (in.) | Window Size M x N (mm) | Latch Qty. | Style        | J (in.) | J (mm) |
|----------------|-----------------------|-----------------|----------|----------|--------|------------------------|-----------------------|----------------------|---------------------|-------------------------|------------------------|------------|--------------|---------|--------|
| CSD12126WSS    | 12.00 x 12.00 x 6.00  | 305 x 305 x 152 | 16       | 16       | CP1212 | 10.20 x 10.20          | 259 x 259             | 10.50 x 10.50        | 267 x 267           | 8.74 x 7.10             | 222 x 180              | 1          | Quarter-turn | 6.00    | 152    |
| CSD16126WSS    | 16.00 x 12.00 x 6.00  | 406 x 305 x 152 | 16       | 16       | CP1612 | 14.20 x 10.20          | 361 x 259             | 14.50 x 10.50        | 368 x 267           | 12.74 x 7.10            | 324 x 180              | 1          | Quarter-turn | 8.00    | 203    |
| CSD20166WSS    | 20.00 x 16.00 x 6.00  | 508 x 406 x 152 | 16       | 16       | CP2016 | 18.20 x 14.20          | 462 x 361             | 18.50 x 14.50        | 470 x 368           | 16.74 x 11.10           | 425 x 282              | 1          | Quarter-turn | 10.00   | 254    |
| CSD20206WSS    | 20.00 x 20.00 x 6.00  | 508 x 508 x 152 | 16       | 16       | CP2020 | 18.20 x 18.20          | 462 x 462             | 18.50 x 18.50        | 470 x 470           | 16.74 x 15.10           | 425 x 384              | 1          | Quarter-turn | 10.00   | 254    |
| CSD20168WSS    | 20.00 x 16.00 x 8.00  | 508 x 406 x 203 | 16       | 16       | CP2016 | 18.20 x 14.20          | 462 x 361             | 18.50 x 14.50        | 470 x 368           | 16.74 x 11.10           | 425 x 282              | 1          | Quarter-turn | 10.00   | 254    |
| CSD20208WSS    | 20.00 x 20.00 x 8.00  | 508 x 508 x 203 | 16       | 16       | CP2020 | 18.20 x 18.20          | 462 x 462             | 18.50 x 18.50        | 470 x 470           | 16.74 x 15.10           | 425 x 384              | 1          | Quarter-turn | 10.00   | 254    |
| CSD24208WSS    | 24.00 x 20.00 x 8.00  | 610 x 508 x 203 | 16       | 16       | CP2420 | 22.20 x 18.20          | 564 x 462             | 22.50 x 18.50        | 572 x 470           | 20.74 x 15.10           | 527 x 384              | 1          | Quarter-turn | 12.00   | 305    |
| CSD24248WSS    | 24.00 x 24.00 x 8.00  | 610 x 610 x 203 | 14       | 16       | CP2424 | 22.20 x 22.20          | 564 x 564             | 22.50 x 22.50        | 572 x 572           | 20.74 x 17.68           | 527 x 449              | 2          | Quarter-turn | 5.00    | 127    |
| CSD30248WSS    | 30.00 x 24.00 x 8.00  | 762 x 610 x 203 | 14       | 16       | CP3024 | 28.20 x 22.20          | 716 x 564             | 28.50 x 22.50        | 724 x 572           | 26.74 x 17.68           | 679 x 449              | 2          | Quarter-turn | 5.00    | 127    |
| CSD161210WSS   | 16.00 x 12.00 x 10.00 | 406 x 305 x 254 | 16       | 16       | CP1612 | 14.20 x 10.20          | 361 x 259             | 14.50 x 10.50        | 368 x 267           | 12.74 x 7.10            | 324 x 180              | 1          | Quarter-turn | 8.00    | 203    |
| CSD201610WSS   | 20.00 x 16.00 x 10.00 | 508 x 406 x 254 | 16       | 16       | CP2016 | 18.20 x 14.20          | 462 x 361             | 18.50 x 14.50        | 470 x 368           | 16.74 x 11.10           | 425 x 282              | 1          | Quarter-turn | 10.00   | 254    |
| CSD202010WSS   | 20.00 x 20.00 x 10.00 | 508 x 508 x 254 | 16       | 16       | CP2020 | 18.20 x 18.20          | 462 x 462             | 18.50 x 18.50        | 470 x 470           | 16.74 x 15.10           | 425 x 384              | 1          | Quarter-turn | 10.00   | 254    |
| CSD242010WSS   | 24.00 x 20.00 x 10.00 | 610 x 508 x 254 | 16       | 16       | CP2420 | 22.20 x 18.20          | 564 x 462             | 22.50 x 18.50        | 572 x 470           | 20.74 x 15.10           | 527 x 384              | 1          | Quarter-turn | 12.00   | 305    |
| CSD242410WSS   | 24.00 x 24.00 x 10.00 | 610 x 610 x 254 | 14       | 16       | CP2424 | 22.20 x 22.20          | 564 x 564             | 22.50 x 22.50        | 572 x 572           | 20.74 x 17.68           | 527 x 449              | 2          | Quarter-turn | 5.00    | 127    |
| CSD302410WSS   | 30.00 x 24.00 x 10.00 | 762 x 610 x 254 | 14       | 16       | CP3024 | 28.20 x 22.20          | 716 x 564             | 28.50 x 22.50        | 724 x 572           | 26.74 x 17.68           | 679 x 449              | 2          | Quarter-turn | 5.00    | 127    |
| CSD202012WSS   | 20.00 x 20.00 x 12.00 | 508 x 508 x 305 | 14       | 16       | CP2020 | 18.20 x 18.20          | 462 x 462             | 18.50 x 18.50        | 470 x 470           | 16.74 x 15.10           | 425 x 384              | 1          | Quarter-turn | 10.00   | 254    |
| CSD302412WSS   | 30.00 x 24.00 x 12.00 | 762 x 610 x 305 | 14       | 16       | CP3024 | 28.20 x 22.20          | 716 x 564             | 28.50 x 22.50        | 724 x 572           | 26.74 x 17.68           | 679 x 449              | 2          | Quarter-turn | 5.00    | 127    |

Purchase panels separately.

Optional NEMA style steel and stainless steel panels require conversion kit catalog number CCPM4.

Material is stainless steel Type 304.

For Conductive Panels, add a "C" to the panel catalog number.

**CONCEPT Single-Door Wall-Mounted Enclosures with Windows**

 SECTION Y-Y  
(WITH PANEL INSTALLED)

**Notes**