

HINGE-COVER LIFT-OFF, TYPE 3R



APPLICATION

Featuring a removable cover for easy mounting and access, these enclosures protect components in applications subject to rain, sleet, snow or dripping water.

FEATURES

- Drip-shield top and seam-free sides, front and back
- Galvanized steel lift-off hinges with stainless steel pins
- Provisions for padlocking on each draw pull catch
- Embossed mounting holes on back of enclosure
- Gasketing along top of door
- No knockouts

SPECIFICATIONS

- 16 or 14 gauge body with galvanized steel
- 16 or 14 gauge door fastened securely with draw pull catch

FINISH

ANSI 61 gray polyester powder paint finish inside and out over galvanized steel. Optional panels are white.

ACCESSORIES

- See also Accessories.*
- Industrial Corrosion Inhibitors
 - Electric Heater
 - Grounding Device
 - Mounting Bracket Kit
 - Panel Mounting Kit
 - Panel Support Kit
 - Panels for Type 3R, 4, 4X, 12 and 13 Enclosures
 - Junction Box and Wall-Mount Enclosure Swing Out Panel Kit
 - Terminal Block Kit Assembly for Junction Boxes Overview
 - Touch-Up Paint
 - Steel and Stainless Steel Window Kits

BULLETIN: A3LO

INDUSTRY STANDARDS

UL 50, 50E Listed; Type 3R; File No. E27567
 cUL Listed per CSA C22.2 No 94; Type 3R File No. E27567

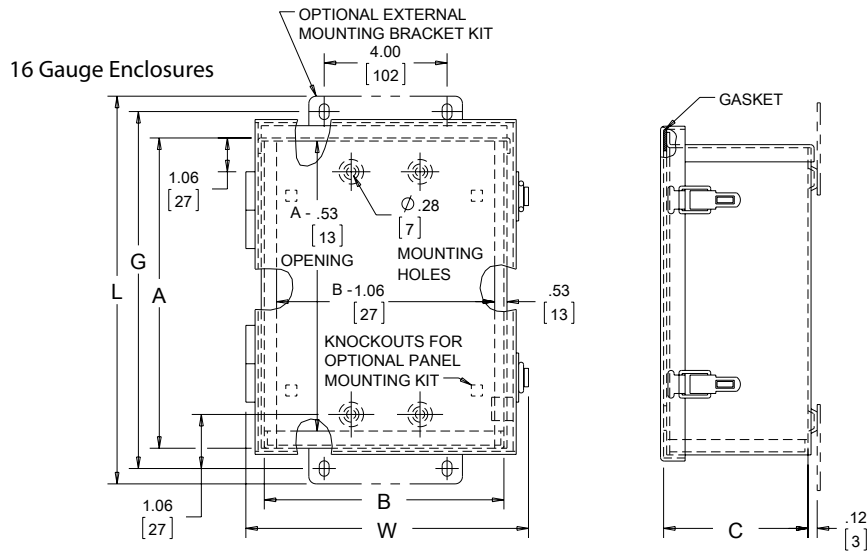
NEMA/EEMAC Type 3R
 CSA, File 42184: Type 3R
 IEC 60529, IP32

Standard Product

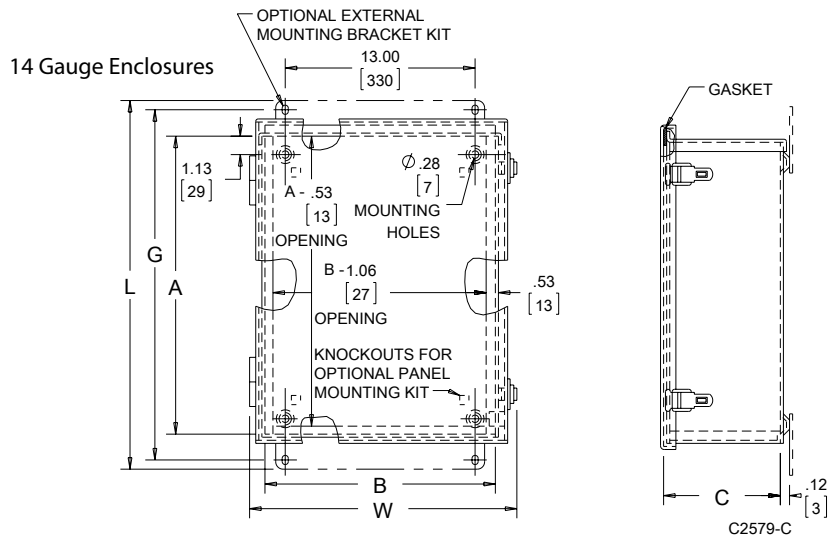
Catalog Number	AxBxC in./mm	Body Gauge	Door Gauge	Panel ^a	Panel Size D x E in./mm	Mounting G in./mm	Overall L x W in./mm	Panel Mounting Kit ^b	Mounting Bracket Kit ^b	Mounting Bracket Gauge	Overall Width of Mounting Bracket in./mm	Hole Spacing For Mounting Bracket in./mm
A8R64HCLO	8.00 x 6.00 x 4.00	16	16	A6P6	4.88 x 4.88	9.12	10.12 x 7.25	APMK3RL016	AMFK3RL016	14	5.00	4.00
	203 x 152 x 102				124 x 124	232	257 x 184		127		102	
A8R86HCLO	8.00 x 8.00 x 6.00	16	16	A8P6	6.75 x 4.88	9.12	10.12 x 9.25	APMK3RL016	AMFK3RL016	14	5.00	4.00
	203 x 203 x 152				171 x 124	232	257 x 235		127		102	
A10R86HCLO	10.00 x 8.00 x 6.00	16	16	A8P8	6.75 x 6.88	11.12	12.12 x 9.25	APMK3RL016	APMK3RL016	14	5.00	4.00
	254 x 203 x 152				171 x 175	282	308 x 235		127		102	
A12R106HCLO	12.00 x 10.00 x 6.00	16	16	A10P10	8.75 x 8.88	13.12	14.12 x 11.25	APMK3RL016	AMFK3RL016	14	5.00	4.00
	305 x 254 x 152				222 x 226	333	359 x 286		127		102	
A12R126HCLO	12.00 x 12.00 x 6.00	16	16	A12P10	10.75 x 8.88	13.12	14.12 x 13.25	APMK3RL016	AMFK3RL016	14	5.00	4.00
	305 x 305 x 152				273 x 226	333	359 x 337		127		102	
A16R126HCLO	16.00 x 12.00 x 6.00	16	16	A14P12	12.75 x 10.88	17.12	18.12 x 13.25	APMK3RL016	AMFK3RL016	14	5.00	4.00
	406 x 305 x 152				324 x 276	435	460 x 337		127		102	
A16R166HCLO	16.00 x 16.00 x 6.00	16	16	A16P16	13.00 x 13.00	17.31	18.31 x 17.25	APMK3RL014	AMFK3RL014	12	14.00	13.00
	406 x 406 x 152				330 x 330	440	465 x 438		356		330	
A20R166HCLO	20.00 x 16.00 x 6.00	16	16	A20P16	17.00 x 13.00	21.31	22.31 x 17.25	APMK3RL014	AMFK3RL014	12	14.00	13.00
	508 x 406 x 152				432 x 330	541	567 x 438		356		330	
A20R208HCLO	20.00 x 20.00 x 8.00	16	14	A20P20	17.00 x 17.00	21.31	22.31 x 21.25	APMK3RL014	AMFK3RL014	12	14.00	13.00
	508 x 508 x 203				432 x 432	541	567 x 540		356		330	
A24R208HCLO	24.00 x 20.00 x 8.00	16	14	A24P20	21.00 x 17.00	25.31	26.31 x 21.25	APMK3RL014	AMFK3RL014	12	14.00	13.00
	610 x 508 x 203				533 x 432	643	668 x 540		356		330	
A24R248HCLO	24.00 x 24.00 x 8.00	14	14	A24P24	21.00 x 21.00	25.31	26.31 x 25.25	APMK3RL014	AMFK3RL014	12	14.00	13.00
	610 x 610 x 203				533 x 533	643	668 x 641		356		330	
A30R248HCLO	30.00 x 24.00 x 8.00	14	14	A30P24	27.00 x 21.00	31.31	32.31 x 25.25	APMK3RL014	AMFK3RL014	12	14.00	13.00
	762 x 610 x 203				686 x 533	795	821 x 641		356		330	

^a Purchase panels separately.

^b Panel Mounting Kit and Mounting Bracket Kit must be ordered separately. (A Panel Mounting Kit must be ordered to install panel.)

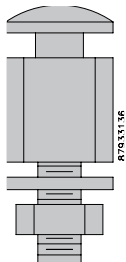


NOTE: Enclosures with A=8.00 have one latch.



C2579-C

PANEL MOUNTING KIT

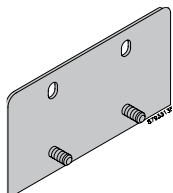


A panel mounting kit (order separately) is required in order to install a panel.

BULLETIN: A3LO

Catalog Number	Description
APMK3RL014	Required to install panel
APMK3RL016	Required to install panel

MOUNTING BRACKET KIT



Optional external mounting bracket kit available for installing enclosure (order separately).

BULLETIN: A3LO

Catalog Number	Gauge	Overall Bracket Width in./mm	Hole Spacing for Bracket in./mm
AMFK3RL014	12	14.00	13.00
		356	330
AMFK3RL016	14	5.00	4.00
		127	102