

MODULAR DISCONNECT ENCLOSURE, TYPE 12



INDUSTRY STANDARDS

UL 508A Listed; Type 12; File No. E61997
cUL Listed per CSA C22.2 No. 94; Type 12; File No. E61997

NEMA Type 12
CSA File No. 42186: Type 12
IEC 60529, IP55

APPLICATION

Modular disconnect enclosures provide configuration flexibility and versatility. One- and two-door models can be bolted together in any configuration. Slave enclosures can be added or removed as required.

FEATURES

One-Door Disconnect Enclosure (left side open): Universal cutout on right flange provides mounting for most disconnect operators by using operator adapters. Right side is closed since disconnect operator cannot be obscured by a door. Master door is hinged on left. Defeater on master door requires a screwdriver to open. Master door activates mechanical interlock which prevents slave doors from being opened first. Doors may be closed in any order. Interlock is furnished.

Two-Door Disconnect Enclosure (left side open): Universal cutout on right flange provides mounting for most disconnect operators by using operator adapters. Right side is closed. Master door is right-hand door. Both doors hinged on left. Defeater on master door requires a screwdriver to open. Master door activates mechanical interlock which prevents slave doors from being opened first. Doors may be closed in any order. Removable centerpost permits easy panel installation. Interlock is furnished.

One-Door Slave Enclosure (both sides open): Door hinged on left. Interlock is furnished.

Two-Door Slave Enclosure (both sides open): Right-hand door hinged on right and left-hand door hinged on left. Removable centerpost permits easy panel installation. Interlock is furnished.

SPECIFICATIONS

- 11 gauge steel (.121 inch)
- Seams are continuously welded and ground smooth
- Body stiffeners in larger enclosures for extra rigidity
- Body flange trough excludes liquids and contaminants
- Heavy-duty lifting eyes anchor into reinforced top
- Concealed, easy-to-remove hinges
- Heavy-duty 3-point latching mechanism operated by padlocking handle on all doors
- Data pocket is high-impact thermoplastic
- Oil-resistant door gasket
- Panel supports
- Removable 11 gauge steel panels mount on collar studs
- Bonding provision on door
- Mechanical interlock standard on each enclosure; parts required to connect interlock system between adjacent enclosures are provided
- Interlock rods are furnished with enclosures; gasket kits and end plate purchased separately
- Models available with panel include painted panel; conductive panel sold separately

FINISH

ANSI 61 gray finish inside and outside over pretreated surfaces. Panels have white or conductive finish. Flat end plates are ANSI 61 gray inside and outside.

ACCESSORIES

Panels for Type 3R, 4, 4X, 12 and 12 Enclosure
Operator Adapters for Universal Cutouts
End Plates
Barriers
PANELITE Enclosure Lights
Floor Stand Kit
SPECTRACOOOL Indoor/Outdoor
HF Side-Mount Filter Fans
Steel, Stainless Steel and Non-Metallic Window Kits
Electric Heaters
HOL-SEALERS Hole Seals
INTERSAFE Data Interface Ports, Type 4/4X/12
Center Panel Supports

MODIFICATION AND CUSTOMIZATION

Hoffman excels at modifying and customizing products to your specifications. Contact your local Hoffman sales office or distributor for complete information.

BULLETIN: A34

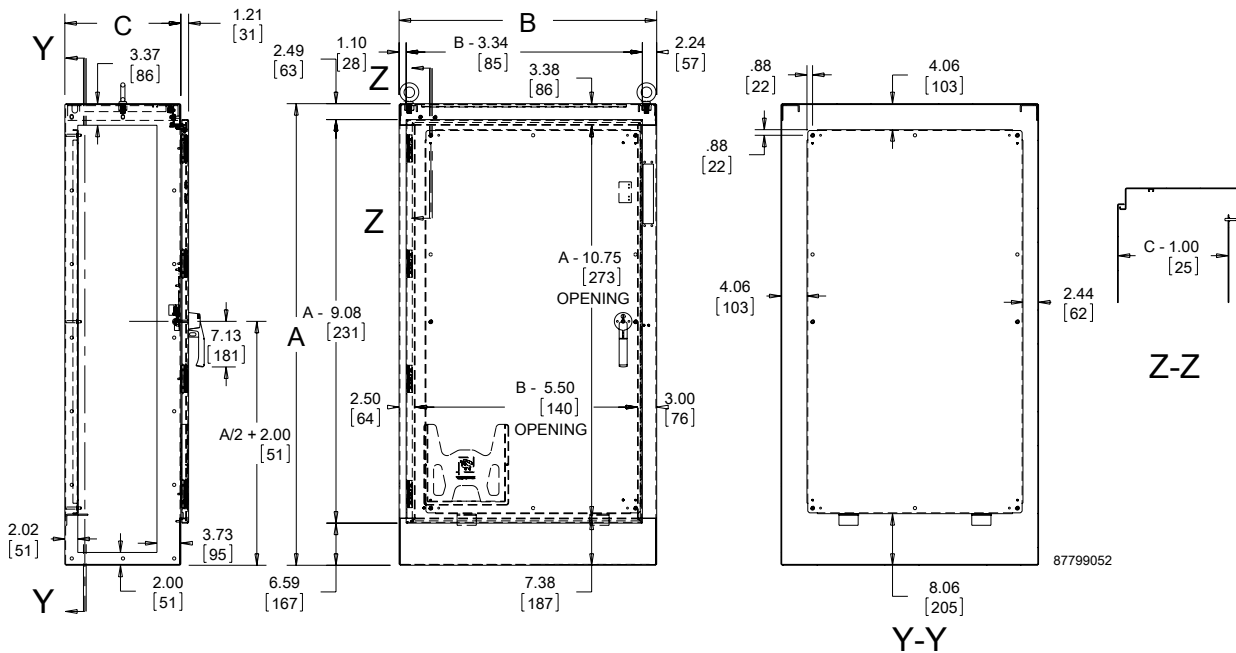
Standard Product **Master Modular Type 12 Enclosures for Flange-Mount Disconnects, One-Door (left side open)**

Catalog Number	AxBxC in./mm	With or Without Panel	Panel	Conductive Panel	Panel Size D x E in./mm
AMOD72X4018FTC	72.12 x 40.25 x 18.12 1832 x 1020 x 460	With	A72PM40	A72PM40G	60.00 x 33.75 1524 x 857
AMOD72X4018FTCLP	72.12 x 40.25 x 18.12 1832 x 1022 x 460	Without	—	—	—
AMOD84X4018FTC	84.12 x 40.25 x 18.12 2137 x 1020 x 460	With	A84PM40	A84PM40G	72.00 x 33.75 1829 x 857
AMOD84X4018FTCLP	84.12 x 40.25 x 18.12 2137 x 1022 x 460	Without	—	—	—
AMOD84X4024FTC	84.12 x 40.25 x 24.12 2137 x 1020 x 613	With	A84PM40	A84PM40G	72.00 x 33.75 1829 x 857
AMOD84X4024FTCLP	84.12 x 40.25 x 24.12 2137 x 1022 x 613	Without	—	—	—

All 24.12-in. (613-mm) and deeper enclosures using short connecting rods in the following models require a Hoffman platform assembly, catalog number ADSCPA, purchased separately. • ABB Controls flange-operated devices • Cutler-Hammer C361 devices • Cutler-Hammer C371 mechanisms which use C371E, F, G, K operating mechanism • General Electric Type TDA devices (see next paragraph for option) • Square D Class 9422 devices (see next paragraph for option)

The platform assembly can be omitted if long connecting rods are ordered in place of short connecting rods. • For Cutler-Hammer operating mechanisms C371E and C371F order catalog number C371CS1 connecting rod. For C371G and C371K order catalog number C371CS2. • For General Electric devices, order catalog number TDSR extended length drive rod • For Square D devices, order catalog number 9422-R2 extra long operating rod(s). Some devices require two rods. Consult factory for space occupied on panel when platform is used.

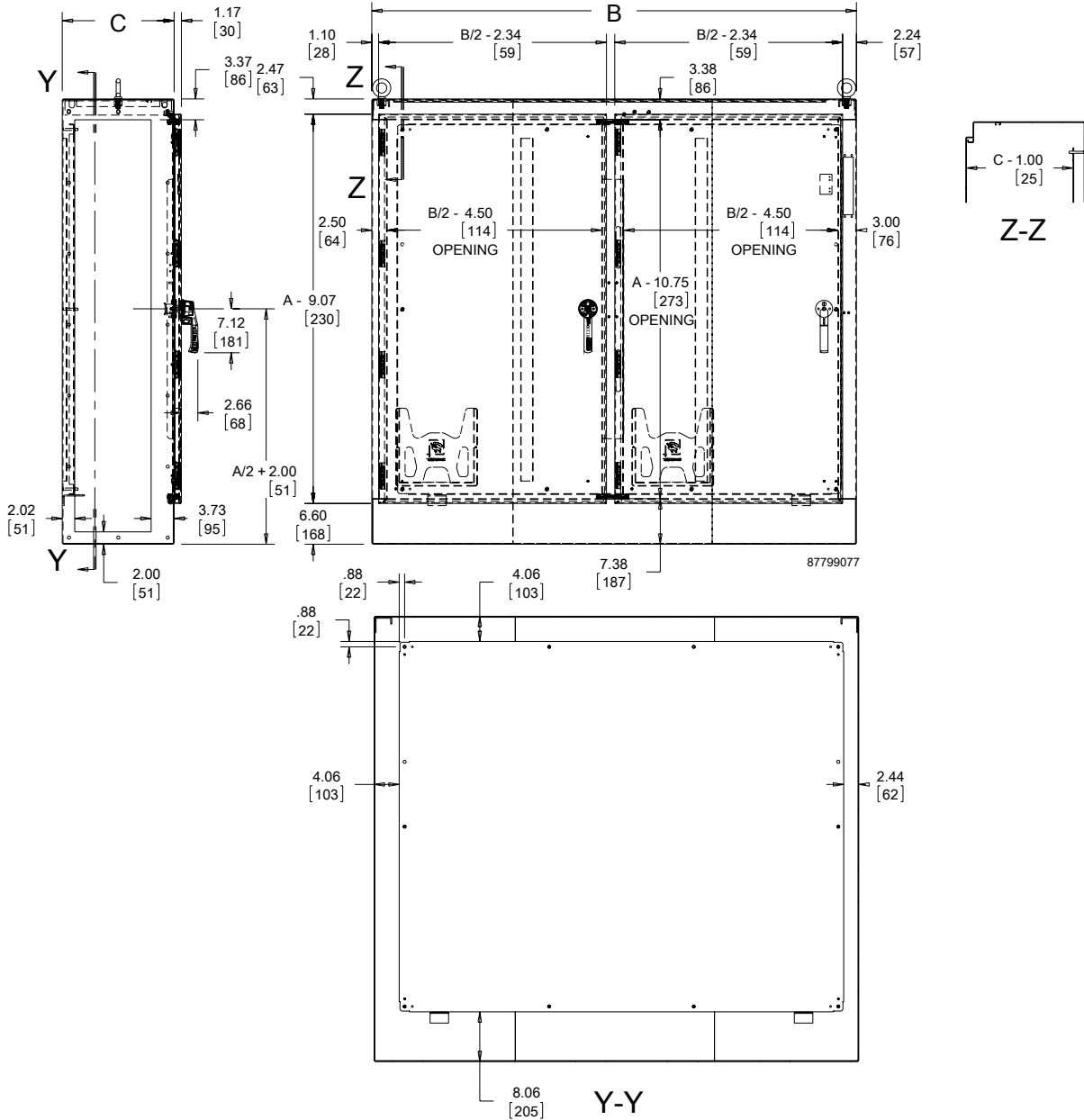
Enclosures with panel include a painted panel. Order conductive panels separately.



Standard Product **Master Modular Type 12 Enclosures for Flange-Mount Disconnects, Two-Door (left side open)**

Catalog Number	AxBxC in./mm	With or Without Panel	Panel	Conductive Panel	Panel Size D x E in./mm
AMOD72X7818FTC	72.12 x 78.50 x 18.12 1832 x 1994 x 460	With	A72PM78	A72PM78G	60.00 x 72.00 1524 x 1829
AMOD72X7818FTCLP	72.12 x 78.50 x 18.12 1832 x 1994 x 460	Without	—	—	—
AMOD84X7818FTC	84.12 x 78.50 x 18.12 2137 x 1994 x 460	With	A84PM78	A84PM78G	72.00 x 72.00 1829 x 1829
AMOD84X7818FTCLP	84.12 x 78.50 x 18.12 2137 x 1994 x 460	Without	—	—	—
AMOD84X7824FTC	84.12 x 78.50 x 24.12 2137 x 1994 x 613	With	A84PM78	A84PM78G	72.00 x 72.00 1829 x 1829
AMOD84X7824FTCLP	84.12 x 78.50 x 24.12 2137 x 1994 x 613	Without	—	—	—

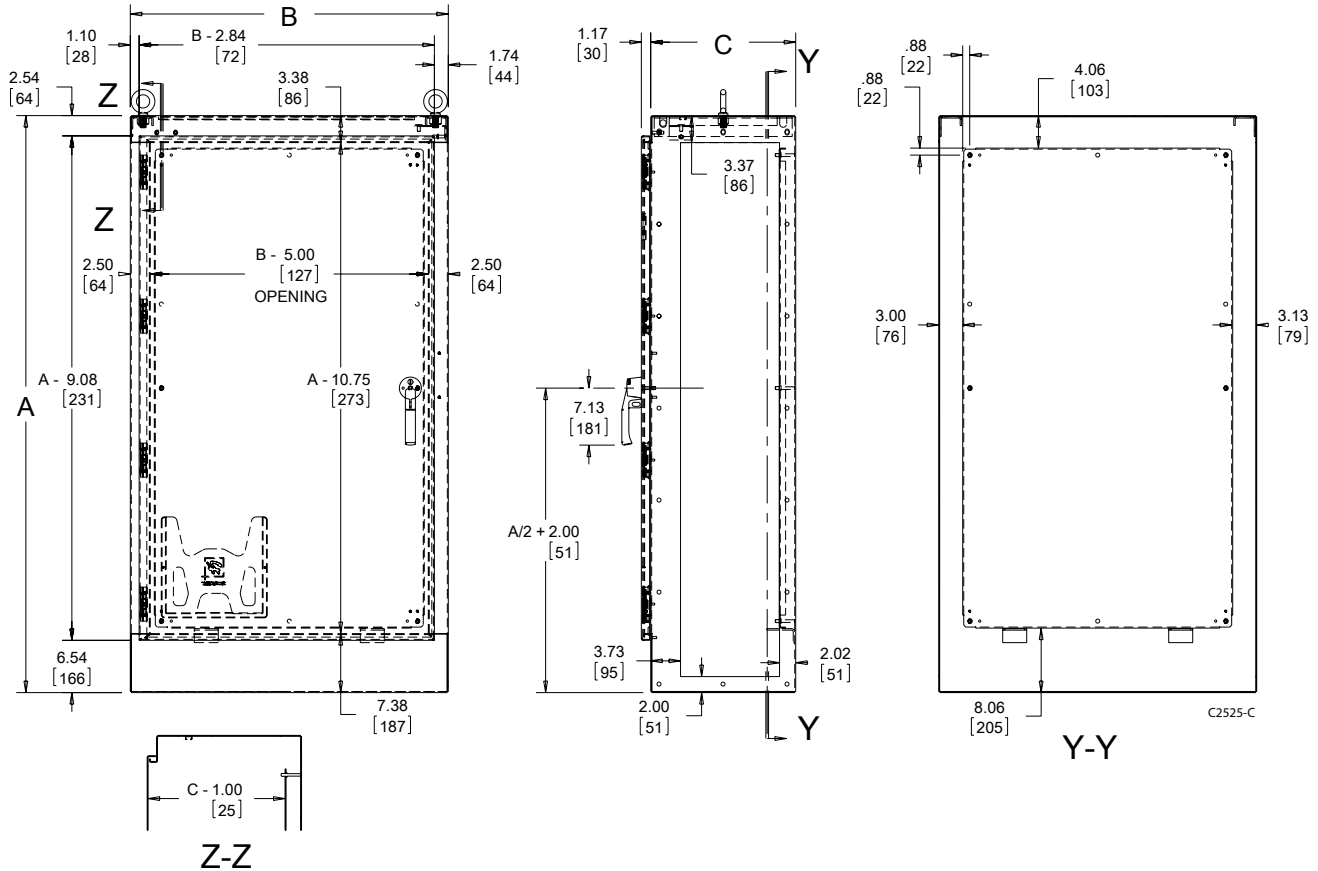
Enclosures with panel include a painted panel. Order conductive panels separately.



Standard Product **Slave Modular Type 12 Enclosures for Flange-Mount Disconnects, One-Door (both sides open)**

Catalog Number	AxBxC in./mm	With or Without Panel	Panel	Conductive Panel	Panel Size D x E in./mm
AMOD723918FTC	72.12 x 39.75 x 18.12 1832 x 1010 x 460	With	A72PM40	A72PM40G	60.00 x 33.75 1524 x 857
AMOD723918FTCLP	72.12 x 39.75 x 18.12 1832 x 1010 x 460	Without	—	—	—
AMOD843918FTC	84.12 x 39.75 x 18.12 2137 x 1010 x 460	With	A84PM40	A84PM40G	72.00 x 33.75 1829 x 857
AMOD843918FTCLP	84.12 x 39.75 x 18.12 2137 x 1010 x 460	Without	—	—	—
AMOD843924FTC	84.12 x 39.75 x 24.12 2137 x 1010 x 613	With	A84PM40	A84PM40G	72.00 x 33.75 1829 x 857
AMOD843924FTCLP	84.12 x 39.75 x 24.12 2137 x 1010 x 613	Without	—	—	—

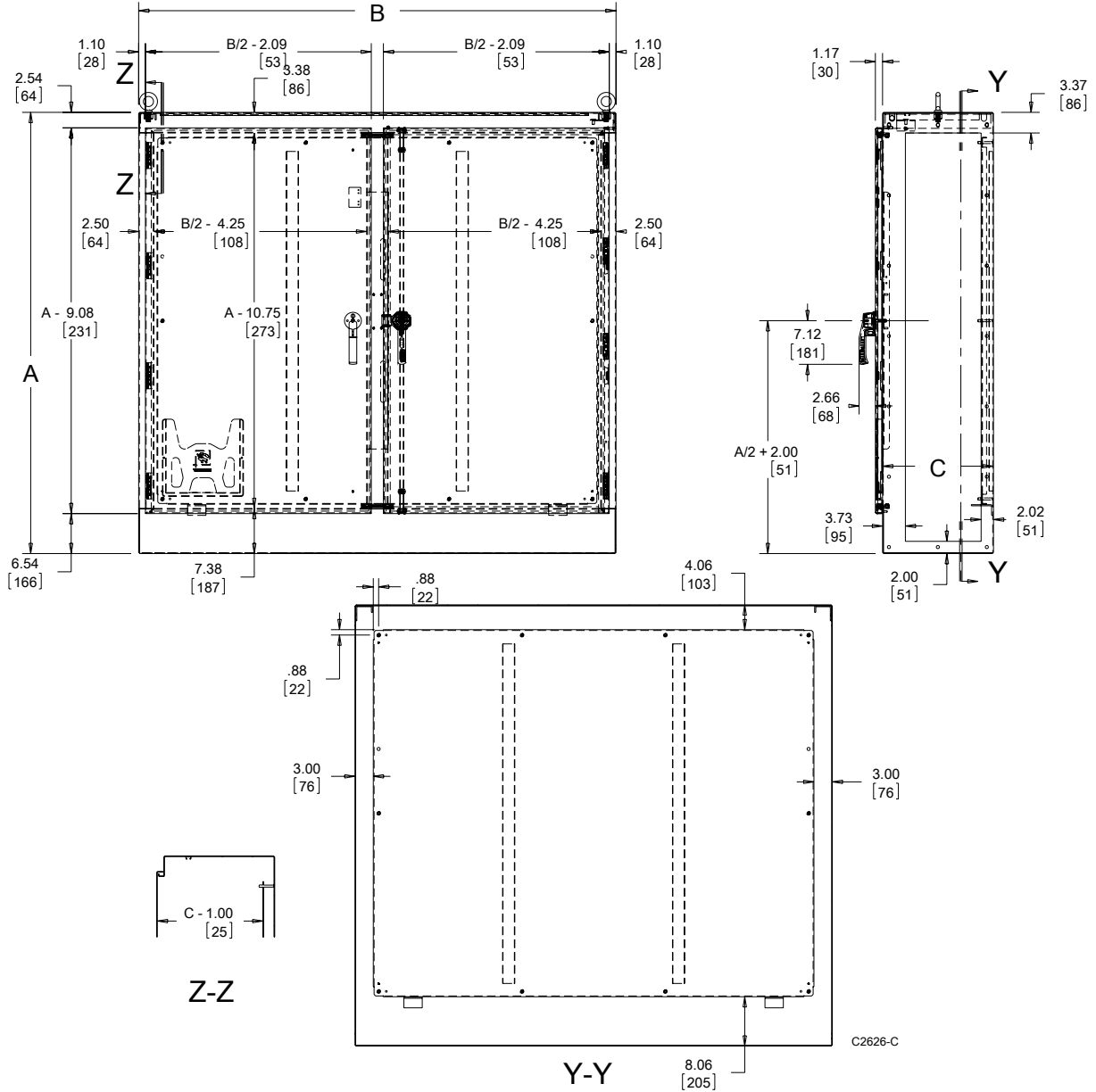
Enclosures with panel include a painted panel. Order conductive panels separately.



Standard Product **Slave Modular Type 12 Enclosures for Flange-Mount Disconnects, Two-Door (both sides open)**

Catalog Number	AxBxC in./mm	With or Without Panel	Panel	Conductive Panel	Panel Size D x E in./mm
AMOD727718FTC	72.12 x 78.00 x 18.12 1832 x 1981 x 460	With	A72PM78	A72PM78G	60.00 x 72.00 1524 x 1829
AMOD727718FTCLP	72.12 x 78.00 x 18.12 1832 x 1981 x 460	Without	—	—	—
AMOD847718FTC	84.12 x 78.00 x 18.12 2137 x 1981 x 460	With	A84PM78	A84PM78G	72.00 x 72.00 1829 x 1829
AMOD847718FTCLP	84.12 x 78.00 x 18.12 2137 x 1981 x 460	Without	—	—	—
AMOD847724FTC	84.12 x 78.00 x 24.12 2137 x 1981 x 613	With	A84PM78	A84PM78G	72.00 x 72.00 1829 x 1829
AMOD847724FTCLP	84.12 x 78.00 x 24.12 2137 x 1981 x 613	Without	—	—	—

Enclosures with panel include a painted panel. Order conductive panels separately.



DISCONNECT MOUNTING SPACE

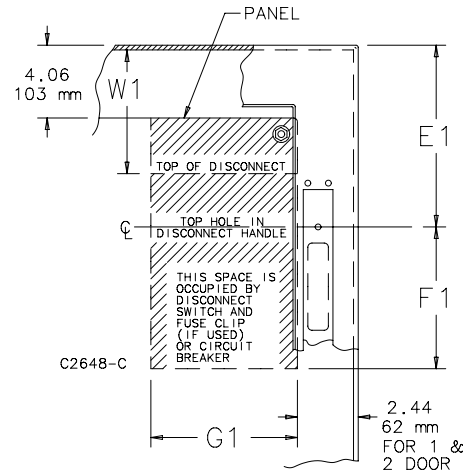
Disconnects are located by dimension E1. Wiring space W1 is available when disconnect is installed in the enclosure. See Technical Information section for E1 Spacing by Enclosure Height for various disconnect switch manufacturers.

W1 = Wiring Space.

See *Technical Information* section for wire bend space.

Refer to **NATIONAL ELECTRICAL CODE®, 2005** article 430-10(b) for wiring space required for line side conductors to be connected to disconnect. **Verify your application to determine whether wiring space is adequate.**

Consult *Space Occupied by Disconnect* drawing to determine whether the disconnect device you are using will fit the enclosure size you have selected.



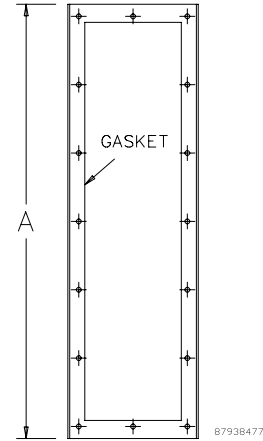
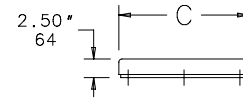
Consult disconnect manufacturer for F1 and G1 dimensions.

END PLATES

Used to seal open end(s) of an assembly of modular enclosures. The 2.50-in. deep End Plates allow extra wiring space. Gasket and mounting bolts are included.

BULLETIN: A34Y

Catalog Number	AxC in./mm
AMOD72EPT	72.12 x 18.12 1832 x 460
AMOD84EPT	84.12 x 18.12 2137 x 460
AMOD8424EPT	84.12 x 24.12 2137 x 613



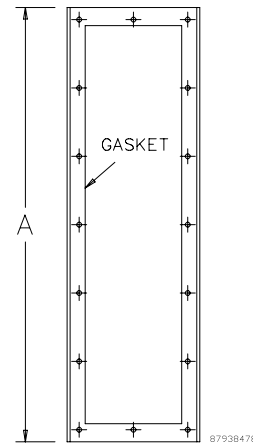
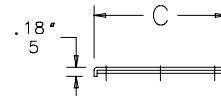
End Plate

FLAT END PLATES

Used to seal open end(s) of an assembly of modular enclosures. The Flat End Plate provides a low profile cover for the open end of a modular enclosure. Studs welded to the end plate eliminate bolt holes. Gasket and mounting hardware are furnished.

BULLETIN: A34Y

Catalog Number	AxC in./mm
AMOD7218FEP	72.12 x 18.12 1832 x 460
AMOD8418FEP	84.12 x 18.12 2137 x 460
AMOD8424FEP	84.12 x 24.12 2137 x 613



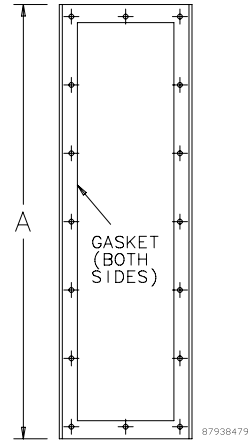
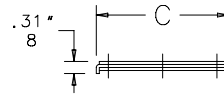
Flat End Plate

BARRIERS

Used to provide a barrier between individual enclosures in an assembly of modular enclosures. The flat plate is gasketed on both sides and inserted between two modular enclosures. Bolts and instructions are included.

BULLETIN: A34Y

Catalog Number	AxC in./mm
AMOD7218BAP	72.12 x 18.12 1832 x 460
AMOD8418BAP	84.12 x 18.12 2137 x 460
AMOD8424BAP	84.12 x 24.12 2137 x 613



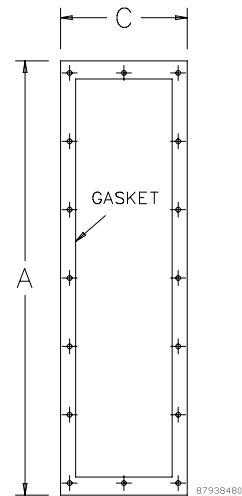
Barrier

GASKET KIT

Used to maintain enclosure rating when modular enclosures are joined together; includes a one-piece gasket, bolts and instructions.

BULLETIN: A34Y

Catalog Number	AxC in./mm
AMOD7218FGK	72.12 x 18.12 1832 x 460
AMOD8418FGK	84.12 x 18.12 2137 x 460
AMOD8424FGK	84.12 x 24.12 2137 x 613



Gasket Kit

UNIVERSAL CUTOUT OVERVIEW



APPLICATION

The universal cutout is used in large freestand and floorstand enclosures, i.e., Bulletins A21(S), A28(S), A34 and A4L3D. Operator Adapter Kits are required in order to install the various manufacturers' hardware. Note that 400A (or greater) disconnect switches and 600A (or greater) circuit breakers require the "Large" or "High Amp" cutout and large handle. A 200A (or less) disconnect switch and 400A (or less) circuit breaker require a small handle, which is provided in the ABL kit for Allen-Bradley variable-depth disconnect switches or the SITEL kit for Siemens (and select other manufacturers) flex-cable devices. The "Large" or "High Amp" cutout accepts the larger operating handle whose mounting hole centers are 6.500-in. apart.

Universal cutouts are designed to house the following:

Allen-Bradley

- Bulletin 1494F flange-mount disconnect switches and Bulletin 1494D flange-mount operators for circuit breakers

- Bulletin 1494V disconnect switches with flange-mount variable-depth operating mechanisms and Bulletin 1494V flange-mount variable-depth operating mechanisms for circuit breakers
- Bulletin 140U flexible cable operating mechanisms for 140U molded case circuit breakers
- Bulletin 140G flexible cable and variable depth flange-mount molded case circuit breakers
- Bulletin 1494C cable-operated disconnect switches with flange-mount handles
- Bulletin 194RC cable-operated flange-mount handles for use with the NFPA 79 compliant 194R IEC rotary disconnect switches

ABB Controls flange-mount variable-depth operating mechanisms for disconnect switches and circuit breakers. Also the cable version for circuit breakers.

Eaton Cutler-Hammer Type C361 disconnect switches and operator mechanisms, and Type C371 circuit breakers and circuit breaker operating mechanisms. Also Type SM safety handle mechanisms and FLEX SHAFT handle operators for circuit breakers.

General Electric Type STDA flange handles and variable-depth operating mechanisms for disconnect switches and circuit breakers. Also SPECTRAFLEX cable operators for circuit breakers.

Siemens ITE MAX FLEX® flange-mount variable-depth operating handles for disconnect switches and circuit breakers.

Schneider Square D® disconnect switches and circuit breakers used with Class 9422 flange-mount variable-depth operating mechanisms or cable mechanisms.

These enclosures will NOT receive Class 9422 bracket-mount disconnect devices, Class 9422TG1 or TG2 devices.

Disconnect Enclosures with Universal Cutout

Universal cutout requires an operator adapter for the brand and type of disconnect being used. See Disconnect Enclosure Accessories to select the operator adapter.

ORDERING

The disconnect switch, operating handle and operating mechanism must be ordered separately. See Technical Information in the Hoffman Specifier's Guide for wire bend space available when various manufacturers' disconnect switches are installed. Check the enclosure dimension drawings to verify the chosen disconnect switch will fit in the enclosure.

All 24.12-in. (613-mm) and deeper enclosures require long connecting rods to be ordered in place of short connecting rods.

Notes