

**INTERSAFE DATA INTERFACE PORTS, TYPE 4/4X/12**

**INDUSTRY STANDARDS**
**Mild Steel Painted Ports**

UL 508A Component Recognized; Type 4, 12; File No. E61997  
 cUL Component Recognized per CSA C22.2 No 94; Type 4, 12;  
 File No. E61997

NEMA/EEMAC Type 4, 12  
 IEC 60529, IP66

**Stainless Steel Ports**

UL 508A Component Recognized; Type 4, 4X, 12; File No.  
 E61997  
 cUL Component Recognized per CSA C22.2 No 94; Type 4, 4X,  
 12; File No. E61997

NEMA/EEMAC Type 4, 4X, 12  
 IEC 60529, IP66

**Clear-Cover (polycarbonate) Ports**

UL 508A Component Recognized; Type 4X, 12; File No.  
 E61997  
 cUL Component Recognized per CSA C22.2 No 94; Type 4, 4X,  
 12; File No. E61997

IEC 60529, IP66

**APPLICATION**

INTERSAFE Data Interface Ports are mounted on an enclosure to allow programming access to devices inside without opening the enclosure door.

**FEATURES**

- Ready to use
- Frame and door assembly with aluminum back plate included with all models; 120 VAC receptacles and programming connectors are mounted to the plate in 40 standard configurations
- All standard configurations include a GFCI or standard duplex receptacle with a 5-A circuit breaker for added safety
- Door gasket (between the door and plate assemblies) and plate gasket (between the plate assembly and the enclosure) together provide a tight seal
- Template provided for accurate enclosure cutout dimensions
- Quarter-turn latch with screwdriver slot and padlock hasp on all steel and stainless steel door models for convenience and security
- Quarter-turn latch with screwdriver slot on polycarbonate models
- Disk drive enclosure provides access to one or two customer-supplied disk drives without opening the cabinet
- Modifications and customization available to accommodate a wide variety of additional connectors

**SPECIFICATIONS**

- Door assembly and frame manufactured from 16 gauge steel or stainless steel
- Clear-cover models have a molded polycarbonate door
- Steel and stainless steel doors are welded and ground
- Back plate is aluminum

**FINISH**

- RAL 9005 black fine-textured polyester powder coating—mild steel door assemblies
- Brushed finish—stainless steel door assemblies
- Brushed finish—aluminum back plates

**MODIFICATION AND CUSTOMIZATION**

Hoffman excels at modifying and customizing products to your specifications. Contact your local Hoffman sales office or distributor for complete information.

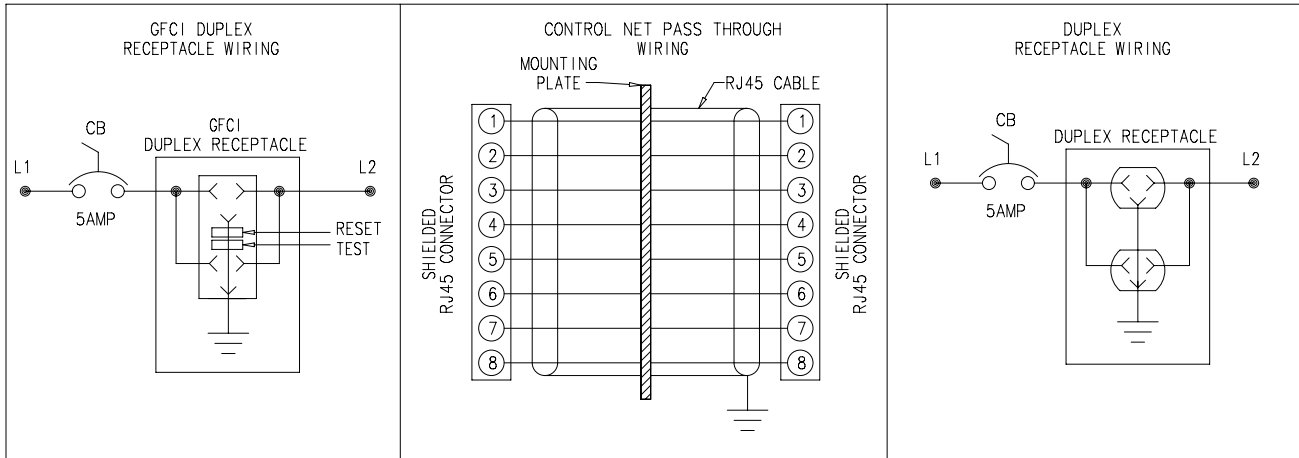
**INTERSAFE DATA PORTS FOR CONTROLNET PROTOCOL**



Left-hand image shows front view, GFCI Receptacle Models. Right-hand image shows Front front view, Duplex Receptacle Models. Rear view with and without terminal cover are below the table.

BULLETIN: A70E

| Catalog Number | Material        | Configuration   | Primary Connector/ Termination                            | Secondary Connector/ Termination | Supports Devices Sold by the Following Manufacturers |
|----------------|-----------------|---|---|----------------------------------|--|
| HGF5CN         | Steel           | - 120 VAC GFCI receptacle<br>- Shielded RJ45<br>- 5-amp circuit breaker   | - Shielded RJ45<br>- 10-ft. shielded cable with male RJ45 | —                                | Allen-Bradley  |
| HGF5CNSS       | Stainless Steel | - 120 VAC GFCI receptacle<br>- Shielded RJ45<br>- 5-amp circuit breaker   | - Shielded RJ45<br>- 10-ft. shielded cable with male RJ45 | —                                | Allen-Bradley  |
| HGF5CNCC       | Composite       | - 120 VAC GFCI receptacle<br>- Shielded RJ45<br>- 5-amp circuit breaker   | - Shielded RJ45<br>- 10-ft. shielded cable with male RJ45 | —                                | Allen-Bradley  |
| HDP5CN         | Steel           | - 120 VAC duplex receptacle<br>- Shielded RJ45<br>- 5-amp circuit breaker | - Shielded RJ45<br>- 10-ft. shielded cable with male RJ45 | —                                | Allen-Bradley  |
| HDP5CNSS       | Stainless Steel | - 120 VAC duplex receptacle<br>- Shielded RJ45<br>- 5-amp circuit breaker | - Shielded RJ45<br>- 10-ft. shielded cable with male RJ45 | —                                | Allen-Bradley  |
| HDP5CNCC       | Composite       | - 120 VAC duplex receptacle<br>- Shielded RJ45<br>- 5-amp circuit breaker | - Shielded RJ45<br>- 10-ft. shielded cable with male RJ45 | —                                | Allen-Bradley  |



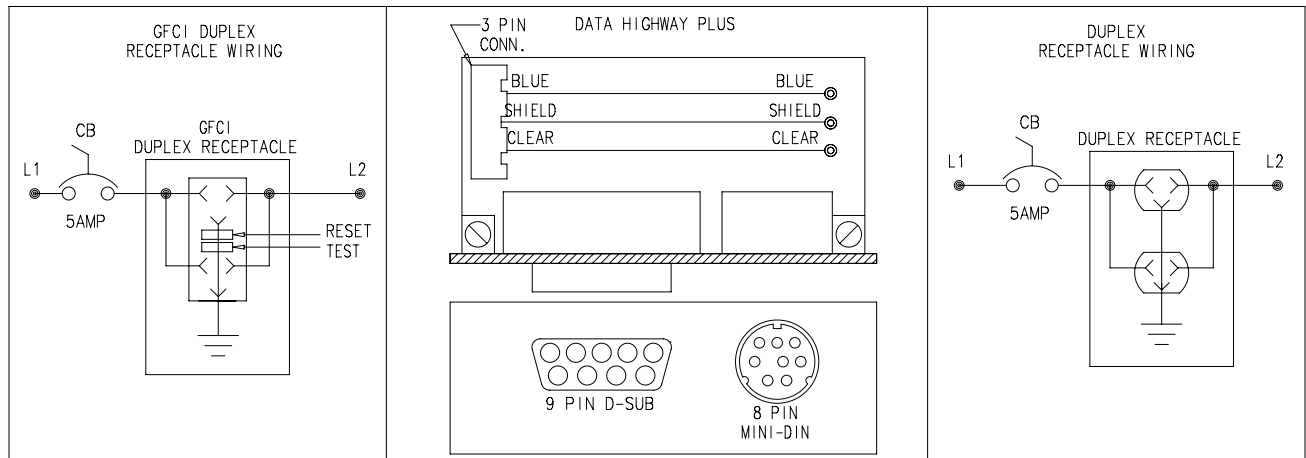
87929485

**INTERSAFE DATA INTERFACE PORTS FOR DATA HIGHWAY PLUS PROTOCOL**


Left-hand image shows front view, GFCI Receptacle Models. Right-hand image shows front view, Duplex Receptacle Models. Rear view with and without terminal cover are below the table.

BULLETIN: A70E

| Catalog Number | Material        | Configuration  | Primary Connector/ Termination | Secondary Connector/ Termination | Supports Devices Sold by the Following Manufacturers |
|----------------|-----------------|--|--------------------------------|----------------------------------|--|
| HGF58MDH       | Steel           | - 120 VAC GFCI receptacle<br>- 8-pin mini DIN<br>- DB9F<br>- 5-amp circuit breaker   | Female 8-pin mini DIN          | DB9F terminal block              | Allen-Bradley  |
| HGF58MDHSS     | Stainless Steel | - 120 VAC GFCI receptacle<br>- 8-pin mini DIN<br>- DB9F<br>- 5-amp circuit breaker   | Female 8-pin mini DIN          | DB9F terminal block              | Allen-Bradley  |
| HGF58MDHCC     | Composite       | - 120 VAC GFCI receptacle<br>- 8-pin mini DIN<br>- DB9F<br>- 5-amp circuit breaker   | Female 8-pin mini DIN          | DB9F terminal block              | Allen-Bradley  |
| HDP58MDH       | Steel           | - 120 VAC duplex receptacle<br>- 8-pin mini DIN<br>- DB9F<br>- 5-amp circuit breaker | Female 8-pin mini DIN          | DB9F terminal block              | Allen-Bradley  |
| HDP58MDHSS     | Stainless Steel | - 120 VAC duplex receptacle<br>- 8-pin mini DIN<br>- DB9F<br>- 5-amp circuit breaker | Female 8-pin mini DIN          | DB9F terminal block              | Allen-Bradley  |
| HDP58MDHCC     | Composite       | - 120 VAC duplex receptacle<br>- 8-pin mini DIN<br>- DB9F<br>- 5-amp circuit breaker | Female 8-pin mini DIN          | DB9F terminal block              | Allen-Bradley  |



87929486

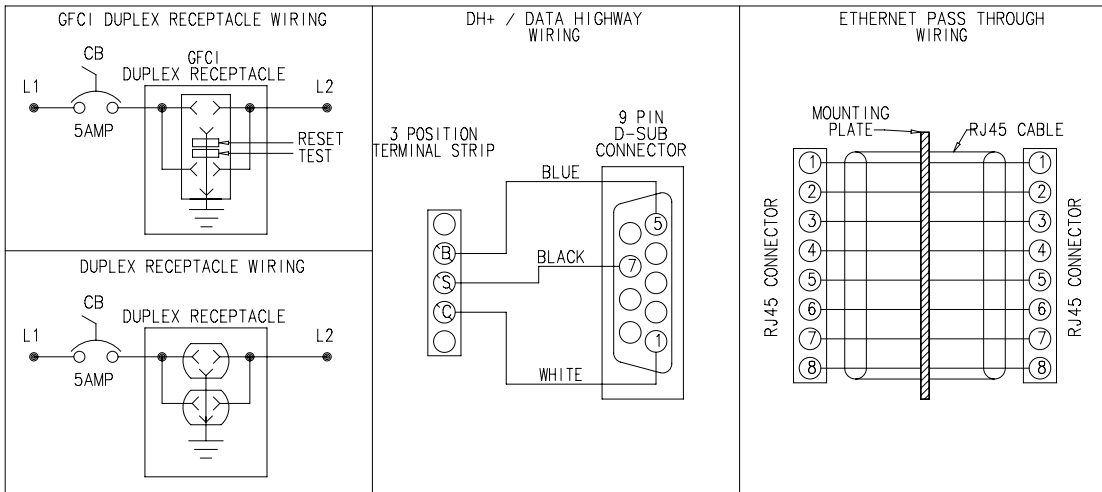
**INTERSAFE DATA INTERFACE PORTS FOR DH+, MODBUS PLUS, ETHERNET PROTOCOL**



Left-hand image shows front view, GFCI Receptacle Models. Right-hand image shows front view, Duplex Receptacle Models. Rear view with and without terminal cover are below the table.

BULLETIN: A70E

| Catalog Number | Material        | Configuration  | Primary Connector/ Termination | Secondary Connector/ Termination        | Supports Devices Sold by the Following Manufacturers     |
|----------------|-----------------|--|--------------------------------|---|--|
| HGF5ETHDH      | Steel           | - 120 VAC GFCI receptacle<br>- RJ45<br>- DB9F<br>- 5-amp circuit breaker   | DB9F terminal block            | - RJ45<br>- 10-ft. cable with male RJ45 | Allen-Bradley<br>Group Schneider<br>Computer peripherals |
| HGF5ETHDSS     | Stainless Steel | - 120 VAC GFCI receptacle<br>- RJ45<br>- DB9F<br>- 5-amp circuit breaker   | DB9F terminal block            | - RJ45<br>- 10-ft. cable with male RJ45 | Allen-Bradley<br>Group Schneider<br>Computer peripherals |
| HGF5ETHDCC     | Composite       | - 120 VAC GFCI receptacle<br>- RJ45<br>- DB9F<br>- 5-amp circuit breaker   | DB9F terminal block            | - RJ45<br>- 10-ft. cable with male RJ45 | Allen-Bradley<br>Group Schneider<br>Computer peripherals |
| HDP5ETHDH      | Steel           | - 120 VAC duplex receptacle<br>- RJ45<br>- DB9F<br>- 5-amp circuit breaker | DB9F terminal block            | - RJ45<br>- 10-ft. cable with male RJ45 | Allen-Bradley<br>Group Schneider<br>Computer peripherals |
| HDP5ETHDSS     | Stainless Steel | - 120 VAC duplex receptacle<br>- RJ45<br>- DB9F<br>- 5-amp circuit breaker | DB9F terminal block            | - RJ45<br>- 10-ft. cable with male RJ45 | Allen-Bradley<br>Group Schneider<br>Computer peripherals |
| HDP5ETHDCC     | Composite       | - 120 VAC duplex receptacle<br>- RJ45<br>- DB9F<br>- 5-amp circuit breaker | DB9F terminal block            | - RJ45<br>- 10-ft. cable with male RJ45 | Allen-Bradley<br>Group Schneider<br>Computer peripherals |



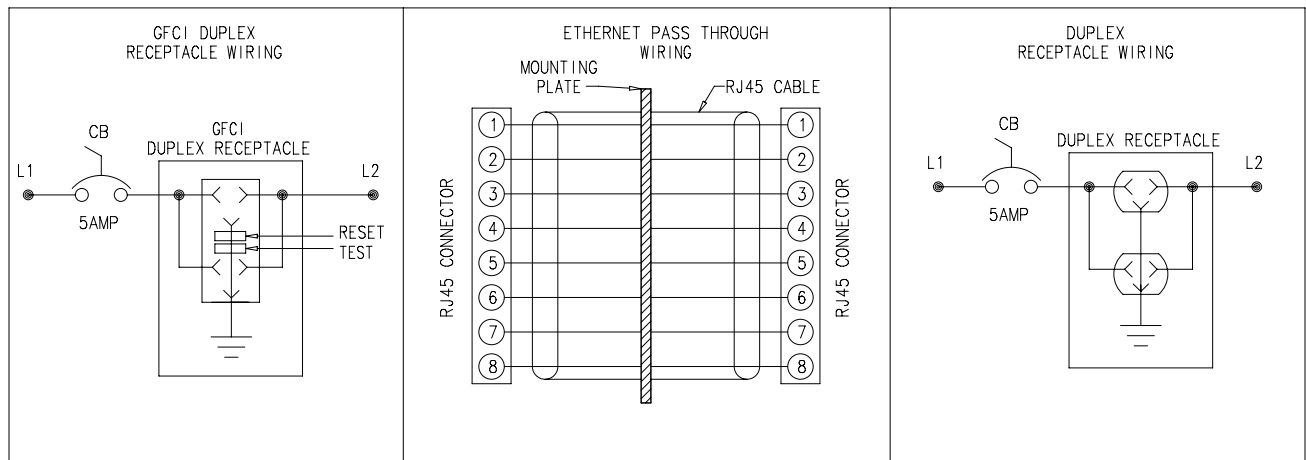
87929488

**INTERSAFE DATA INTERFACE PORTS FOR ETHERNET PROTOCOL**


Left-hand image shows front view, GFCI Receptacle Models. Right-hand image shows front view, Duplex Receptacle Models. Rear view with and without terminal cover are below the table.

**BULLETIN: A70E**

| Catalog Number | Material        | Configuration  | Primary Connector/ Termination | Secondary Connector/ Termination | Supports Devices Sold by the Following Manufacturers |
|----------------|-----------------|--|--------------------------------|----------------------------------|--|
| HGF5ETHETH     | Steel           | - 120 VAC GFCI receptacle<br>- RJ45<br>- RJ45<br>- 5-amp circuit breaker   | - RJ45<br>- 10-ft. cable       | - RJ45<br>- 10-ft. cable         | Computer peripherals                                 |
| HGF5ETHETHSS   | Stainless Steel | - 120 VAC GFCI receptacle<br>- RJ45<br>- RJ45<br>- 5-amp circuit breaker   | - RJ45<br>- 10-ft. cable       | - RJ45<br>- 10-ft. cable         | Computer peripherals                                 |
| HGF5ETHETHCC   | Composite       | - 120 VAC GFCI receptacle<br>- RJ45<br>- RJ45<br>- 5-amp circuit breaker   | - RJ45<br>- 10-ft. cable       | - RJ45<br>- 10-ft. cable         | Computer peripherals                                 |
| HDP5ETHETH     | Steel           | - 120 VAC duplex receptacle<br>- RJ45<br>- RJ45<br>- 5-amp circuit breaker | - RJ45<br>- 10-ft. cable       | - RJ45<br>- 10-ft. cable         | Computer peripherals                                 |
| HDP5ETHETHSS   | Stainless Steel | - 120 VAC duplex receptacle<br>- RJ45<br>- RJ45<br>- 5-amp circuit breaker | - RJ45<br>- 10-ft. cable       | - RJ45<br>- 10-ft. cable         | Computer peripherals                                 |
| HDP5ETHETHCC   | Composite       | - 120 VAC duplex receptacle<br>- RJ45<br>- RJ45<br>- 5-amp circuit breaker | - RJ45<br>- 10-ft. cable       | - RJ45<br>- 10-ft. cable         | Computer peripherals                                 |



87929489

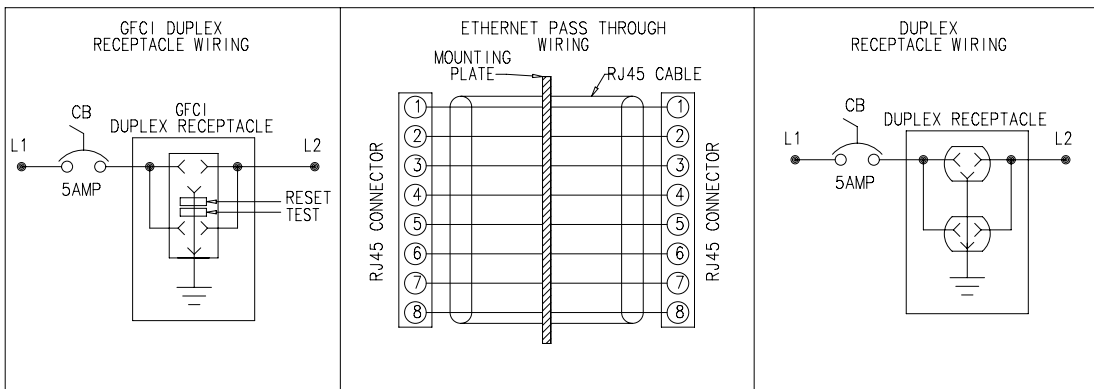
**INTERSAFE DATA INTERFACE PORTS FOR ETHERNET/PROFINET PROTOCOL**



Left-hand image shows front view, GFCI Receptacle Models. Right-hand image shows front view, Duplex Receptacle Models. Rear view with and without terminal cover are below the table.

BULLETIN: A70E

| Catalog Number | Material        | Configuration  | Configuration            | Secondary Connector/ Termination | Supports Devices Sold by the Following Manufacturers                             |
|----------------|-----------------|--|--------------------------|----------------------------------|--|
| HGF5ETH        | Steel           | - 120 VAC GFCI receptacle<br>- RJ45<br>- 5-amp circuit breaker   | - RJ45<br>- 10-ft. cable | ---                              | Allen-Bradley<br>GE Fanuc<br>Groupe Schneider<br>Siemens<br>Computer peripherals |
| HGF5ETHSS      | Stainless Steel | - 120 VAC GFCI receptacle<br>- RJ45<br>- 5-amp circuit breaker   | - RJ45<br>- 10-ft. cable | ---                              | Allen-Bradley<br>GE Fanuc<br>Groupe Schneider<br>Siemens<br>Computer peripherals |
| HGF5ETHCC      | Composite       | - 120 VAC GFCI receptacle<br>- RJ45<br>- 5-amp circuit breaker   | - RJ45<br>- 10-ft. cable | ---                              | Allen-Bradley<br>GE Fanuc<br>Groupe Schneider<br>Siemens<br>Computer peripherals |
| HDP5ETH        | Steel           | - 120 VAC duplex receptacle<br>- RJ45<br>- 5-amp circuit breaker | - RJ45<br>- 10-ft. cable | ---                              | Allen-Bradley<br>GE Fanuc<br>Groupe Schneider<br>Siemens<br>Computer peripherals |
| HDP5ETHSS      | Stainless Steel | - 120 VAC duplex receptacle<br>- RJ45<br>- 5-amp circuit breaker | - RJ45<br>- 10-ft. cable | ---                              | Allen-Bradley<br>GE Fanuc<br>Groupe Schneider<br>Siemens<br>Computer peripherals |
| HDP5ETHCC      | Composite       | - 120 VAC duplex receptacle<br>- RJ45<br>- 5-amp circuit breaker | - RJ45<br>- 10-ft. cable | ---                              | Allen-Bradley<br>GE Fanuc<br>Groupe Schneider<br>Siemens<br>Computer peripherals |



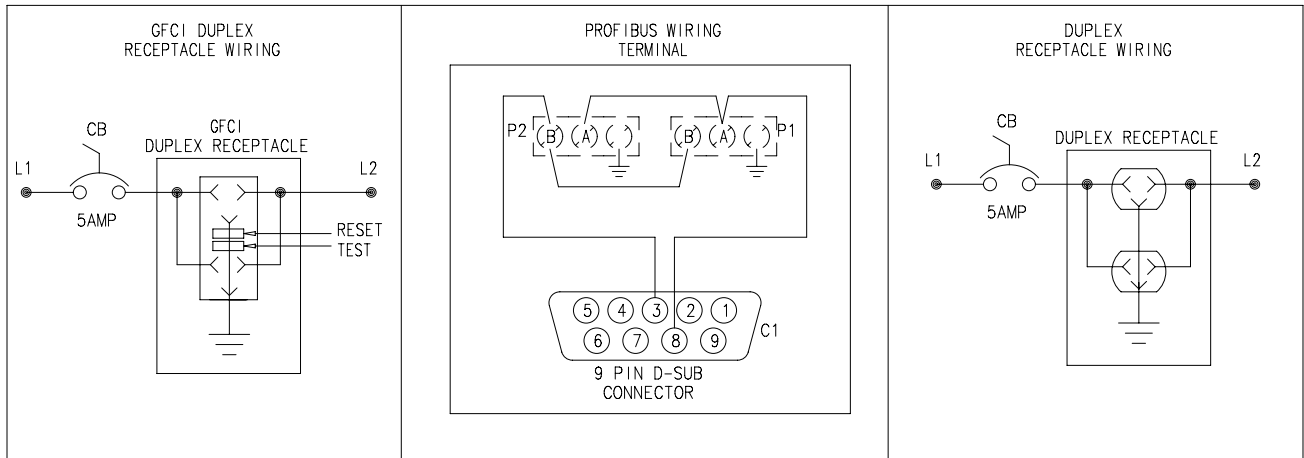
87929490

**INTERSAFE DATA INTERFACE PORTS FOR PROFIBUS PROTOCOL**


Left-hand image shows front view, GFCI Receptacle Models. Right-hand image shows front view, Duplex Receptacle Models. Rear view with and without terminal cover are below the table.

BULLETIN: A70E

| Catalog Number | Material        | Configuration  | Primary Connector/ Termination | Secondary Connector/ Termination | Supports Devices Sold by the Following Manufacturers |
|----------------|-----------------|--|--------------------------------|----------------------------------|--|
| HGF5PB         | Steel           | - 120 VAC GFCI receptacle<br>- 9-pin Profibus<br>- 5-amp circuit breaker   | 9-pin Profibus terminal        | ---                              | Allen-Bradley<br>GE Fanuc<br>Siemens                 |
| HGF5PBSS       | Stainless Steel | - 120 VAC GFCI receptacle<br>- 9-pin Profibus<br>- 5-amp circuit breaker   | 9-pin Profibus terminal        | ---                              | Allen-Bradley<br>GE Fanuc<br>Siemens                 |
| HDP5PB         | Steel           | - 120 VAC duplex receptacle<br>- 9-pin Profibus<br>- 5-amp circuit breaker | 9-pin Profibus terminal        | ---                              | Allen-Bradley<br>GE Fanuc<br>Siemens                 |
| HDP5PBCC       | Composite       | - 120 VAC duplex receptacle<br>- 9-pin Profibus<br>- 5-amp circuit breaker | 9-pin Profibus terminal        | ---                              | Allen-Bradley<br>GE Fanuc<br>Siemens                 |



87929494

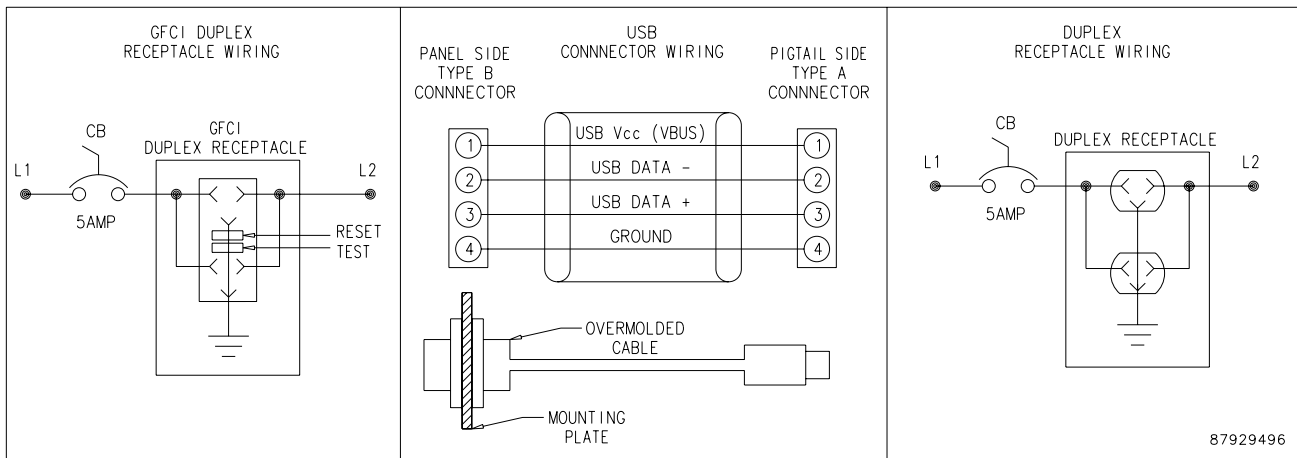
**INTERSAFE DATA INTERFACE PORTS FOR USB PROTOCOL, 10-FT. CABLE**



Left-hand image shows front view, GFCI Receptacle Models. Right-hand image shows front view, Duplex Receptacle Models. Rear view with and without terminal cover are below the table.

BULLETIN: A70E

| Catalog Number | Material        | Configuration  | Primary Connector/ Termination                                  | Secondary Connector/ Termination                                | Supports Devices Sold by the Following Manufacturers |
|----------------|-----------------|--|---|---|--|
| HGF5USBUSB     | Steel           | - 120 VAC GFCI receptacle<br>- USB Type A<br>- USB Type A<br>- 5-amp circuit breaker   | - USB Type A- 10-ft. cable with female USB Type B connector     | - USB Type A<br>- 10-ft. cable with female USB Type B connector | Computer peripherals                                 |
| HGF5USBUSBSS   | Stainless Steel | - 120 VAC GFCI receptacle<br>- USB Type A<br>- USB Type A<br>- 5-amp circuit breaker   | - USB Type A<br>- 10-ft. cable with female USB Type B connector | - USB Type A<br>- 10-ft. cable with female USB Type B connector | Computer peripherals                                 |
| HGF5USBUSBCC   | Composite       | - 120 VAC GFCI receptacle<br>- USB Type A<br>- USB Type A<br>- 5-amp circuit breaker   | - USB Type A<br>- 10-ft. cable with female USB Type B connector | - USB Type A<br>- 10-ft. cable with female USB Type B connector | Computer peripherals                                 |
| HDP5USBUSB     | Steel           | - 120 VAC duplex receptacle<br>- USB Type A<br>- USB Type A<br>- 5-amp circuit breaker | - USB Type A<br>- 10-ft. cable with female USB Type B connector | - USB Type A<br>- 10-ft. cable with female USB Type B connector | Computer peripherals                                 |
| HDP5USBUSBSS   | Stainless Steel | - 120 VAC duplex receptacle<br>- USB Type A<br>- USB Type A<br>- 5-amp circuit breaker | - USB Type A<br>- 10-ft. cable with female USB Type B connector | - USB Type A<br>- 10-ft. cable with female USB Type B connector | Computer peripherals                                 |
| HDP5USBUSBCC   | Composite       | - 120 VAC duplex receptacle<br>- USB Type A<br>- USB Type A<br>- 5-amp circuit breaker | - USB Type A<br>- 10-ft. cable with female USB Type B connector | - USB Type A<br>- 10-ft. cable with female USB Type B connector | Computer peripherals                                 |





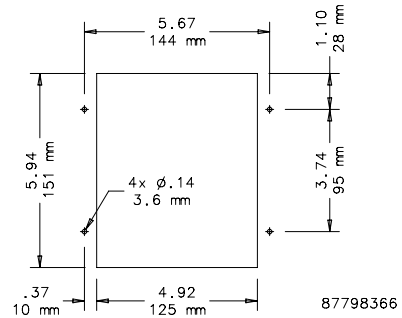
**INTERSAFE TYPE 4/4X/12 DATA INTERFACE PORT DISK DRIVE ENCLOSURE**



This enclosure, available in both steel and stainless steel, allows access to one or two customer-supplied disk drives from outside the cabinet, allowing computer system use and updates without opening the cabinet.

**BULLETIN: A70E**

| Catalog Number | Configuration | Description                                    |
|----------------|---------------|--|
| HCP514B        | CP2/514b      | Steel 2 gang dual CD/DVD drive cover           |
| HCP514BSS      | CP2/514b      | Stainless steel 2 gang dual CD/DVD drive cover |



CUTOUT  
(NOT TO SCALE)

87798366

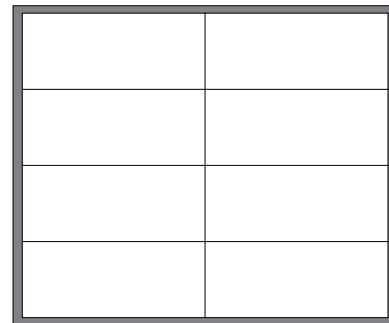
**TO ORDER A MODIFIED CONFIGURATION FOR INTERSAFE TYPE 4/4X/12 DATA INTERFACE PORTS**



- Choose the required connectors to a maximum of 8 plate sectors (refer to Plate Sector Diagram)
- Order connectors using the code in the Connector ID column of the INTERSAFE Connectors table
- Hoffman will determine the layout of the connectors. If a specific layout is required, contact your local Hoffman Sales Office for a quotation.
- 5-amp circuit breakers will be provided with 120VAC receptacles unless otherwise specified
- To order, contact your local Hoffman sales representative

Configuration Example **Plate Sectors, 8 Maximum**

| Customer Requires                                     | Code | Sectors Used |
|---|------|--------------|
| (1) 6-pin mini DIN (female)                           | MD6  | 1            |
| (1) RJ45 connector (female)                           | R45  | 1            |
| (1) GFCI duplex receptacle with 3-amp circuit breaker | GF3  | 5            |



87790670

**INTERSAFE CONNECTOR 8M**



| Connector Description | Connector Termination | Plate Sectors Used |
|-----------------------|-----------------------|--------------------|
| 8-pin mini DIN        | Terminal Block        | 2                  |

Left-hand image shows front view. Right-hand image shows rear view.

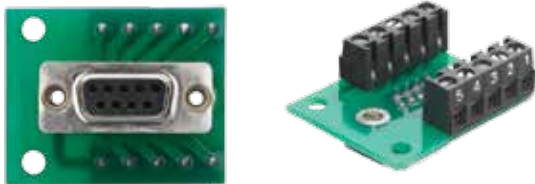
**INTERSAFE CONNECTOR 9FG**



| Connector Description                     | Connector Termination                         | Plate Sectors Used |
|---|---|--------------------|
| GE Fanuc Genius 9-pin female with bracket | 10 ft. cable to male 9-pin D-Sub with bracket | 1                  |

Left-hand image shows front view. Right-hand image shows rear view.

**INTERSAFE CONNECTOR 9FT**



| Connector Description | Connector Termination | Plate Sectors Used |
|-----------------------|-----------------------|--------------------|
| D-Sub 9-pin female    | 9-pin terminal        | 2                  |

Left-hand image shows front view. Right-hand image shows rear view.

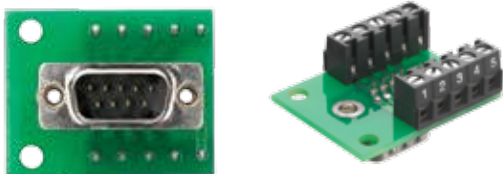
**INTERSAFE CONNECTOR 9M**



| Connector Description       | Connector Termination             | Plate Sectors Used |
|-----------------------------|-----------------------------------|--------------------|
| D-Sub 9-pin male with cable | 10 ft cable to female 9-pin D-Sub | 1                  |

Left-hand image shows front view. Right-hand image shows rear view.

**INTERSAFE CONNECTOR 9MT**



| Connector Description | Connector Termination | Plate Sectors Used |
|-----------------------|-----------------------|--------------------|
| D-Sub 9-pin male      | 9-pin terminal        | 1                  |

Left-hand image shows front view. Right-hand image shows rear view.

**INTERSAFE CONNECTOR 15F**


| Connector Description | Connector Termination             | Plate Sectors Used |
|-----------------------|-----------------------------------|--------------------|
| D-Sub 15-pin female   | 10 ft. cable to male 15-pin D-Sub | 1                  |

Left-hand image shows front view. Right-hand image shows rear view.

**INTERSAFE CONNECTOR 15FT**


| Connector Description                    | Connector Termination | Plate Sectors Used |
|--|-----------------------|--------------------|
| D-Sub 15-pin female with 15-pin terminal | 15-pin terminal       | 1                  |

Left-hand image shows front view. Right-hand image shows rear view.

**INTERSAFE CONNECTOR 15H**


| Connector Description                      | Connector Termination                         | Plate Sectors Used |
|--|---|--------------------|
| D-Sub 15-pin high density female (Monitor) | 10 ft cable to male 15-pin high-density D-Sub | 1                  |

Left-hand image shows front view. Right-hand image shows rear view.

**INTERSAFE CONNECTOR 15M**


| Connector Description | Connector Termination               | Plate Sectors Used |
|-----------------------|-------------------------------------|--------------------|
| D-Sub 15-pin male     | 10-ft. cable to female 15-pin D-Sub | 1                  |

Left-hand image shows front view. Right-hand image shows rear view.

**INTERSAFE CONNECTOR 25F**


| Connector Description          | Connector Termination             | Plate Sectors Use |
|--------------------------------|-----------------------------------|-------------------|
| D-Sub 25-pin female with cable | 10 ft. cable to male 25-pin D-Sub | 1                 |

Left-hand image shows front view. Right-hand image shows rear view.

**INTERSAFE CONNECTOR 25FT**


| Connector Description                    | Connector Termination | Plate Sectors Used |
|--|-----------------------|--------------------|
| D-Sub 25-pin female with 25-pin terminal | 25-pin terminal       | 2                  |

Left-hand image shows front view. Right-hand image shows rear view.

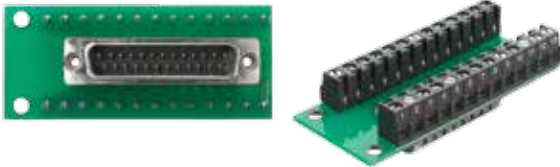
**INTERSAFE CONNECTOR 25M**



| Connector Description        | Connector Termination               | Plate Sectors Used |
|------------------------------|-------------------------------------|--------------------|
| D-Sub 25-pin male with cable | 10-ft. cable to female 25-pin D-Sub | 1                  |

Left-hand image shows front view. Right-hand image shows rear view.

**INTERSAFE CONNECTOR 25MT**



| Connector Description | Connector Termination | Plate Sectors Used |
|-----------------------|-----------------------|--------------------|
| D-Sub 25-pin male     | 25-pin terminal       | 2                  |

Left-hand image shows front view. Right-hand image shows rear view.

**INTERSAFE CONNECTOR BNC**



| Connector Description | Connector Termination                               | Plate Sectors Used |
|-----------------------|---|--------------------|
| BNC                   | BNC female receptacle with 10-ft. cable to male BNC | 1                  |

Left-hand image shows front view. Right-hand image shows rear view.

**INTERSAFE CONNECTOR CN**



| Connector Description                     | Connector Termination                | Plate Sectors Used |
|---|--------------------------------------|--------------------|
| ControlNet shielded RJ45 female connector | 10-ft. shielded cable with male RJ45 | 2                  |

Left-hand image shows front view. Right-hand image shows rear view.

**INTERSAFE CONNECTOR DH**



| Connector Description  | Connector Termination | Plate Sectors Used |
|------------------------|-----------------------|--------------------|
| Data Highway Plus DB9F | Terminal block        | 2                  |

Left-hand image shows front view. Right-hand image shows rear view.

**INTERSAFE CONNECTOR DNM**



| Connector Description | Connector Termination | Plate Sectors Used |
|-----------------------|-----------------------|--------------------|
| DeviceNet Mini        | Terminal block        | 2                  |

Left-hand image shows front view. Right-hand image shows rear view.

**INTERSAFE CONNECTOR DNP**



| Connector Description | Connector Termination |
|-----------------------|-----------------------|
| DeviceNet Phoenix     | Terminal block        |

Left-hand image shows front view. Right-hand image shows rear view.

**INTERSAFE CONNECTOR DPO**



| Connector Description                     | Connector Termination | Plate Sectors Used |
|---|-----------------------|--------------------|
| Duplex receptacle with no circuit breaker | Terminal block        | 4                  |

Left-hand image shows front view. Right-hand image shows rear view.

**INTERSAFE CONNECTOR DP3**



| Connector Description                        | Connector Termination | Plate Sectors Used |
|--|-----------------------|--------------------|
| Duplex receptacle with 3-amp circuit breaker | Terminal block        | 5                  |

Left-hand image shows front view. Right-hand image shows rear view.

**INTERSAFE CONNECTOR DP5**



| Connector Description                        | Connector Termination | Plate Sectors Used |
|--|-----------------------|--------------------|
| Duplex receptacle with 5-amp circuit breaker | Terminal block        | 5                  |

Left-hand image shows front view. Right-hand image shows rear view.

**INTERSAFE CONNECTOR ETH**



| Connector Description | Connector Termination       | Plate Sectors Used |
|-----------------------|-----------------------------|--------------------|
| RJ45 female connector | 10-ft. cable with male RJ45 | 1                  |

Left-hand image shows front view. Right-hand image shows rear view.

**INTERSAFE CONNECTOR GEG**



| Connector Description | Connector Termination | Plate Sectors Used |
|-----------------------|-----------------------|--------------------|
| DB9 GE Genius         | 10-ft. cable          | 1                  |

Left-hand image shows front view. Right-hand image shows rear view.

**INTERSAFE CONNECTOR GFO**



| Connector Description | Connector Termination |
|-----------------------|-----------------------|
| GFCI receptacle       | Terminal block        |

Left-hand image shows front view. Right-hand image shows rear view.

**INTERSAFE CONNECTOR GF3**



| Connector Description                      | Connector Termination | Plate Sectors Used |
|--|-----------------------|--------------------|
| GFCI receptacle with 3-amp circuit breaker | Terminal block        | 5                  |

Left-hand image shows front view. Right-hand image shows rear view.

**INTERSAFE CONNECTOR GF5**



| Connector Description                      | Connector Termination | Plate Sectors Used |
|--|-----------------------|--------------------|
| GFCI receptacle with 5-amp circuit breaker | Terminal block        | 5                  |

Left-hand image shows front view. Right-hand image shows rear view.

**INTERSAFE CONNECTOR MCL**



| Connector Description | Connector Termination | Plate Sectors Used |
|-----------------------|-----------------------|--------------------|
| Micrologix            | 10-ft. cable          | 1                  |

Left-hand image shows front view. Right-hand image shows rear view.

**INTERSAFE CONNECTOR MD6**



| Connector Description   | Connector Termination                   |
|-------------------------|---|
| 6-pin mini DIN (female) | 10-ft. cable with female 6-pin mini DIN |

Left-hand image shows front view. Right-hand image shows rear view.

**INTERSAFE CONNECTOR MD8**



| Connector Description   | Connector Termination                 | Plate Sectors Used |
|-------------------------|---------------------------------------|--------------------|
| 8-pin mini DIN (female) | 10-ft. cable with male 8-pin mini DIN | 1                  |

Left-hand image shows front view. Right-hand image shows rear view.

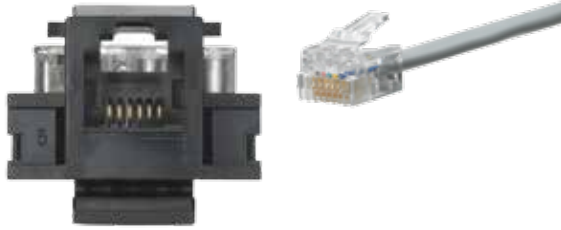
**INTERSAFE CONNECTOR PB**



| Connector Description | Connector Termination | Plate Sectors Used |
|-----------------------|-----------------------|--------------------|
| Profibus 9-pin        | Terminal              | 2                  |

Left-hand image shows front view. Right-hand image shows rear view.



**INTERSAFE CONNECTOR R11**


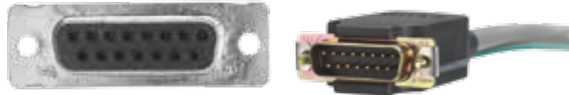
| Connector Description                | Connector Termination       | Plate Sectors Used |
|--------------------------------------|-----------------------------|--------------------|
| RJ11 female connector with male RJ12 | 10-ft. cable with male RJ12 | 1                  |

Left-hand image shows front view. Right-hand image shows rear view.

**INTERSAFE CONNECTOR RJ5**


| Connector Description          | Connector Termination                | Plate Sectors Used |
|--------------------------------|--------------------------------------|--------------------|
| RJ45 shielded female connector | 10-ft. shielded cable with male RJ45 | 2                  |

Left-hand image shows front view. Right-hand image shows rear view.

**INTERSAFE CONNECTOR SNP**


| Connector Description | Connector Termination             | Plate Sectors Used |
|-----------------------|-----------------------------------|--------------------|
| DB15F GESNP           | DB15 male GESNP with 10-ft. cable | 1                  |

Left-hand image shows front view. Right-hand image shows rear view.

**INTERSAFE CONNECTOR SPO**


| Connector Description                     | Connector Termination              | Plate Sectors Used |
|---|------------------------------------|--------------------|
| Single receptacle with no circuit breaker | Terminal block with terminal cover | 2                  |

Left-hand image shows front view. Right-hand image shows rear view.

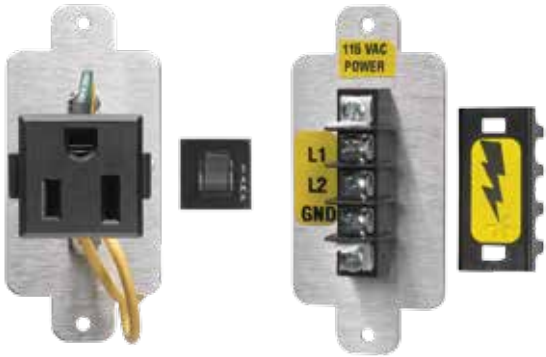
**INTERSAFE CONNECTOR SP3**



| Connector Description                        | Connector Termination              | Plate Sectors Used |
|--|------------------------------------|--------------------|
| Single receptacle with 3-amp circuit breaker | Terminal block with terminal cover | 2                  |

Left-hand image shows front view. Right-hand image shows rear view.

**INTERSAFE CONNECTOR SP5**



| Connector Description                        | Connector Termination              | Plate Sectors Used |
|--|------------------------------------|--------------------|
| Single receptacle with 5-amp circuit breaker | Terminal block with terminal cover | 2                  |

Left-hand image shows front view. Right-hand image shows rear view.

**INTERSAFE CONNECTOR TMB**



| Connector Description | Connector Termination | Plate Sectors Used |
|-----------------------|-----------------------|--------------------|
| DB9F Modbus           | 10-ft. cable          | 1                  |

Left-hand image shows front view. Right-hand image shows rear view.

**INTERSAFE CONNECTOR TMM**



| Connector Description | Connector Termination | Plate Sectors Used |
|-----------------------|-----------------------|--------------------|
| DB9F Micro            | 10-ft. cable          | 1                  |

Left-hand image shows front view. Right-hand image shows rear view.

**INTERSAFE CONNECTOR USB**



| Connector Description    | Connector Termination              | Plate Sectors Used |
|--------------------------|------------------------------------|--------------------|
| USB Type A, female input | 10-ft. cable, USB Type B connector | 1                  |

Left-hand image shows front view. Right-hand image shows rear view.

## Notes