

A photograph of an industrial facility, likely a factory or warehouse, featuring a complex network of large, silver, corrugated metal pipes. The pipes are supported by a steel truss ceiling structure. Several bright, circular high bay lights are suspended from the ceiling, illuminating the scene. The overall atmosphere is industrial and functional.

Dialight

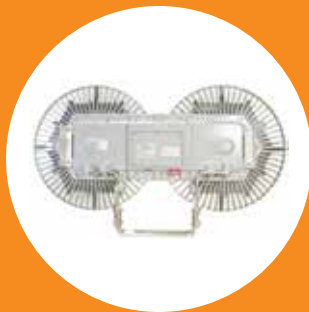
Vigilant[®] LED High Bay - UL / CSA

for Indoor and Outdoor Industrial Applications



On when it matters most.

Products and solutions that protect your business





Features & Benefits

- 10 year warranty
- L70 rated for >150,000 hours @ 25°C ambient
- 125 LPW
- Dual Mounting option available
- Significantly reduced glare
- Instant on/off
- Mercury free
- No UV or IR
- Resistant to shock and vibration

Application

At 125 lumens per Watt, Dialight's new ultra-efficient industrial LED high bay revolutionizes the world of LED lighting and is by far the most innovative LED fixture available today. With a market-leading 10 year warranty, the new 26,500 lumen high bay utilizes cutting-edge optical and electrical design to provide for significantly reduced glare and superior light distribution.

Vigilant® LED High Bay - UL / CSA

Standard Models



Standard Models

Junction Box Models



Certifications & Ratings

- UL 1598/A
- CSA 22.2 #250
- NEMA 4X
- IP66 / 67

Mechanical Information:

Fixture weight:

100 – 277V Models : 18lbs (8.16kg)
 347/480V Top Hat Models: 30lbs (13.6kg)

Shipping weight:

100 – 277V Models : 24lbs (10.8kg)
 347/480V Top Hat Models: 36lbs (16.33kg)

Mounting:

(1) 3/4" NPT - top
 (2) 5/16"-18 x .75" UNC - side

Wiring:

10' (3.05m) STOOV Power Cord

Electrical Specifications:

Operating Voltage:

110 – 277V AC: 25,750 & 26,500lm models
 100 – 277V AC: 18,000, 14,000 & 11,000lm models

Total system power consumption:

See table

Operating Temp:

-40°F to +149°F (-40°C to +65°C)

Harmonics:

IEC 61000-3-2

Noise requirement /EMC:

FCC Title 47, Subpart B, Section 15, class A device. RF Immunity; 10V/m, 80MHz-1GHz

Transient protection:

Protection devices capable of handling up to 6kV. Tested for 6kV/2 ohm combination wave, as per IEEE C62.41, line-line and line-ground

THD:

<20%

Power Factor:

> 0.9

Construction:

Housing:

Copper free aluminum

Finish:

Superior dual coat finish
 - Sealed polyester topcoat
 - Chemical-resistant epoxy primer

Lens :

Tempered glass

Photometric Information:

CRI:

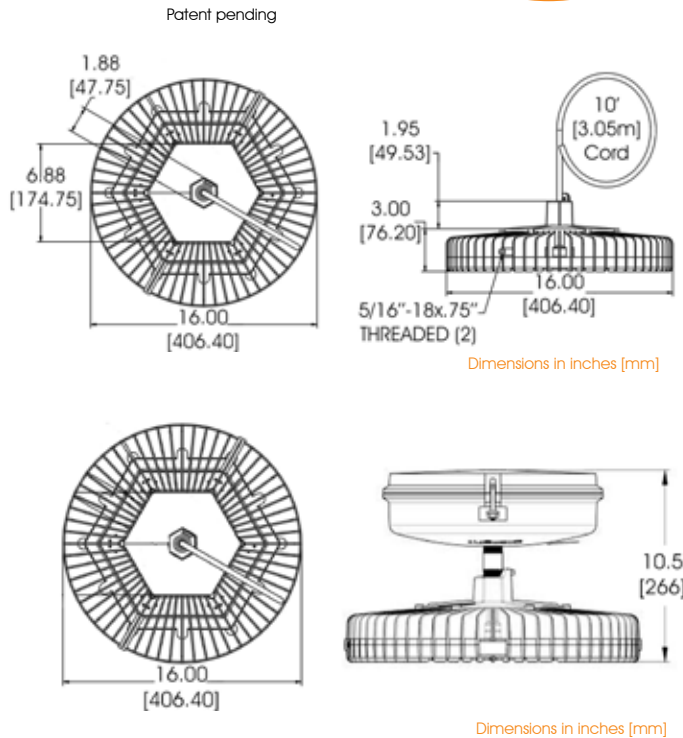
75

CCT:

5000K (cool white)
 4000K (neutral white)

All values typical unless otherwise stated (tolerance +/- 10%)

For information on chemical compatibility, please follow this link to reference Dialight's Chemical Compatibility Guide: www.dialight.com/pubs/MDTFCHEMRFLX001.PDF



Vigilant® LED High Bay - UL / CSA

Integrated Wiring Box



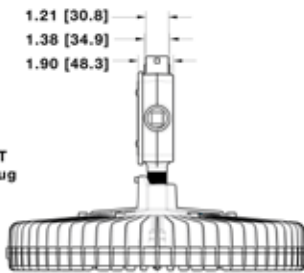
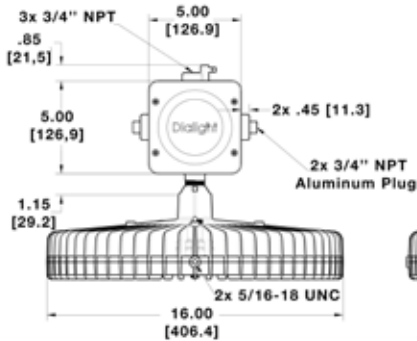
Conduit Integrated Wiring Box

Patent pending



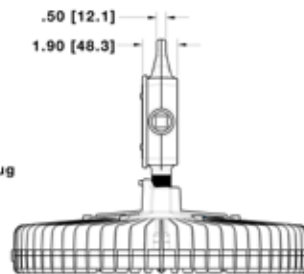
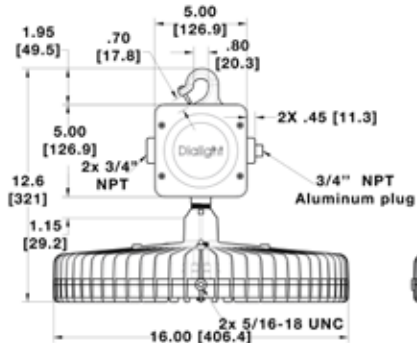
Hook Integrated Wiring Box

Conduit Integrated Wiring Box



Dimensions in inches [mm]

Hook Integrated Wiring Box



Dimensions in inches [mm]

Certifications & Ratings

- UL 1598/A
- CSA 22.2 #250
- IP66

Mechanical Information:

Fixture weight: 20 lbs (9kg)

Shipping weight: 26 lbs (12kg)

Mounting:

Hook Model: (2) 3/4 NPT

Conduit Model: (3) 3/4 NPT

Electrical Specifications:

Operating Voltage:

110 – 277V AC: 25,750 & 26,500lm models

100 – 277V AC: 18,000, 14,000 & 11,000lm models

Total system power consumption:

See table

Operating Temp:

-40°F to +149°F (-40°C to +65°C)

Harmonics:

IEC 61000-3-2

Noise requirement /EMC:

FCC Title 47, Subpart B, Section 15, class A device. RF Immunity; 10V/m, 80MHz-1GHz

Transient protection:

Protection devices capable of handling up to 6kV. Tested for 6kV/2 ohm combination wave, as per IEEE C62.41, line-line and line-ground

THD:

<20%

Power Factor:

> 0.9

Construction:

Housing:

Copper free aluminum

Finish:

Superior dual coat finish
- Sealed polyester topcoat
- Chemical-resistant epoxy primer

Lens:

Tempered glass

Photometric Information:

CRI: 75

CCT: 5000K (cool white)
4000K (neutral white)

All values typical unless otherwise stated (tolerance +/- 10%)

For information on chemical compatibility, please follow this link to reference Dialight's Chemical Compatibility Guide:
www.dialight.com/pubs/MDTFCHEMRFLX001.PDF

Vigilant® LED High Bay - UL / CSA

Occupancy Sensor Models



Occupancy Sensor Models

Patent pending

Junction Box Models



Certifications & Ratings

- UL 1598/A
- CSA 22.2 #250
- IP65

Features & Benefits

- No additional electrical connections required for installation
- Flexible conduit permitting the positioning of the occupancy sensor for optimal coverage
- Interchangeable sensor lenses for applications ranging from 20-30 or 30-40 foot in height

Mechanical Information:

Fixture weight:
 100 – 277V Models : 18lbs (8.16kg)
 347/480V Top Hat Models: 30lbs (13.6kg)

Shipping weight:
 100 – 277V Models : 24lbs (10.8kg)
 347/480V Top Hat Models: 36lbs (16.33kg)

Mounting:
 (1) 3/4" NPT - top
 (2) 5/16"-18 x .75" UNC - side

Wiring: 10' (3.05m) STOOV Power Cord

Sensor:

Sensor Mounting: Attached to the base of the neck using a semi-rigid flexible conduit

Occupancy Sensor: Wet location WattStopper

Sensor Options: 30 seconds to 20 minutes

Sensor Lens Options: Interchangeable lenses for multiple mounting heights

Electrical Specifications for High Bay:

Operating Voltage:
 110 – 277V AC: 25,750 & 26,500lm models
 100 – 277V AC: 18,000, 14,000 & 11,000lm models

Total system power consumption: See table

Operating Temp: -40°F to +149°F (-40°C to +65°C)

Harmonics: IEC 61000-3-2

Noise requirement /EMC: FCC Title 47, Subpart B, Section 15, class A device. RF Immunity; 10V/m, 80MHz-1GHz

Transient protection: Protection devices capable of handling up to 6kV. Tested for 6kV/2 ohm combination wave, as per IEEE C62.41, line-line and line-ground

THD: <20%

Power Factor: > 0.9

Construction:

Housing: Copper free aluminum

Finish: Superior dual coat finish
 - Sealed polyester topcoat
 - Chemical-resistant epoxy primer

Lens : Tempered glass

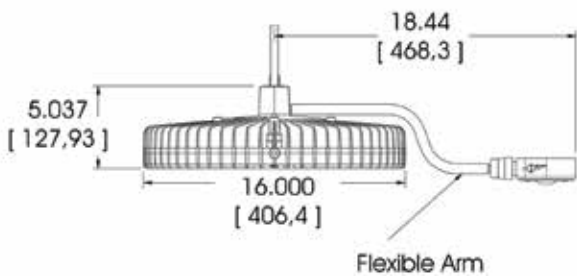
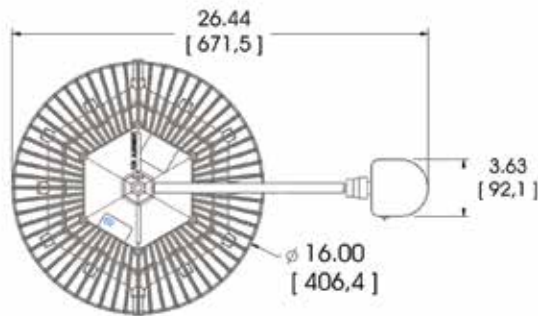
Photometric Information:

CRI: 75

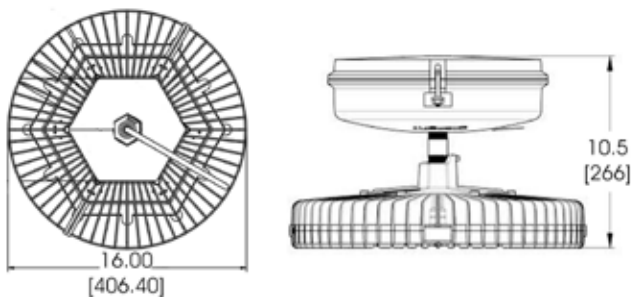
CCT: 5000K (cool white)
 4000K (neutral white)

All values typical unless otherwise stated (tolerance +/- 10%)

For information on chemical compatibility, please follow this link to reference Dialight's Chemical Compatibility Guide:
www.dialight.com/pubs/MDTFCHEMRFLX001.PDF



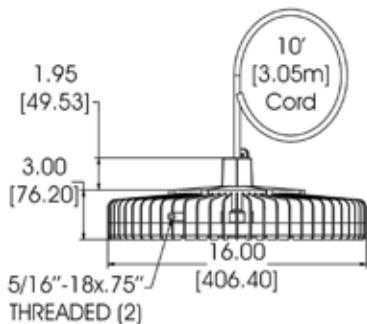
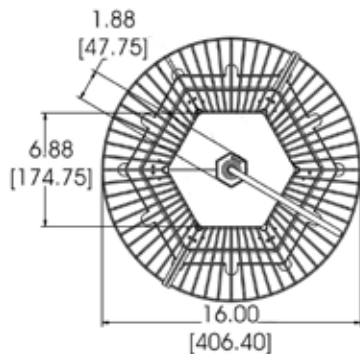
Dimensions in inches [mm]



Dimensions in inches [mm]

Vigilant® LED High Bay - UL / CSA

Variable Dimming Models



Dimensions in inches [mm]

Certifications & Ratings

- UL 1598/A
- CSA 22.2 #250
- NEMA 4X
- IP66/67

Features & Benefits

- Multiple high bays can be connected to the same dimmer

Mechanical Information:

Fixture weight:

100 – 277V Models : 18lbs (8.16kg)
 347/480V Top Hat Models: 30lbs (13.6kg)

Shipping weight:

100 – 277V Models : 24lbs (10.8kg)
 347/480V Top Hat Models: 36lbs (16.33kg)

Mounting:

(1) 3/4" NPT - top
 (2) 5/16"-18 x .75" UNC - side

Wiring:

10' (3.05m) STOOV Power Cord
 5 Conductor (L, N, GND, DIM+, DIM-)

Variable Dimming:

Variable Dimming Control: 0-10V DC

Dimming Range:

10V DC = 100% light output
 0V DC = 30% light output

Electrical Specifications for High Bay:

Operating Voltage:

110 – 277V AC: 25,750 & 26,500lm models
 100 – 277V AC: 18,000, 14,000 & 11,000lm models

Total system power consumption:

See table

Operating Temp:

-40°F to +149°F (-40°C to +65°C)

Harmonics:

IEC 61000-3-2

Noise requirement /EMC:

FCC Title 47, Subpart B, Section 15, class A device. RF Immunity; 10V/m, 80MHz-1GHz

Transient protection:

Protection devices capable of handling up to 6kV. Tested for 6kV/2 ohm combination wave, as per IEEE C62.41, line-line and line-ground

THD:

<20%

Power Factor:

> 0.9

Construction:

Housing:

Copper free aluminum

Finish:

Superior dual coat finish
 - Sealed polyester topcoat
 - Chemical-resistant epoxy primer

Lens:

Tempered glass

Photometric Information:

CRI:

75

CCT:

5000K (cool white)
 4000K (neutral white)

All values typical unless otherwise stated (tolerance +/- 10%)

For information on chemical compatibility, please follow this link to reference Dialight's Chemical Compatibility Guide: www.dialight.com/pubs/MDTFCHEMRFLX001.PDF

Vigilant® LED High Bay - UL / CSA

Options and Accessories



HBXW3-SSL-316
HBXW3-SSL-304

- Stainless steel bracket



HBXCAB48

- 48" long stainless steel safety rope (for use with safety bracket)



HBXDC

- 21° slope dust cover

HBXDC45

- 45° slope dust cover

HBXDC60

- 60° slope dust cover



HBXW3-SSL-304FT

- 304 stainless steel forward throw bracket

HBXW3-SSL-316FT

- 316 Stainless steel forward throw bracket



HBXTH347480

- Top hat with 347-480V AC step down transformer (Add 12W to light fixture power consumption)



HBXH

- Hook

Note: when hook or loop accessory is used the fixture is rated for dry locations only



HBXW2

- Swivel bracket and cable gland

HBXW3

- Swivel bracket



HBXL

- Loop

Note: when hook or loop accessory is used the fixture is rated for dry locations only



HBXDUALBRCKT

- Dual bracket



HBXCU

- Ceiling / wall mount



HBXREF22

- 22" Acrylic reflector (must be ordered with high bay, not a retrofit option)



HBXCG

- Cable gland



HBXLENGC

- Clear tempered glass

HBXLENPC

- Polycarbonate lens, clear

HBXLENAC

- Acrylic lens, clear



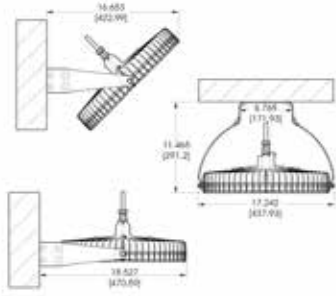
LBXLENP

- Polycarbonate dome lens replacement

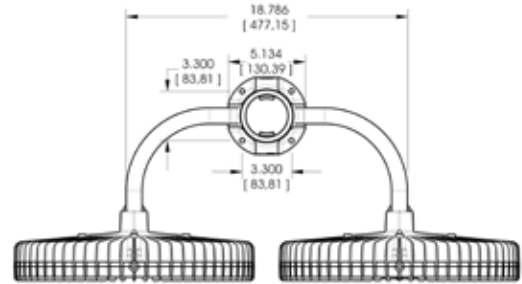
Vigilant® LED High Bay - UL / CSA

Options and Accessories Drawings

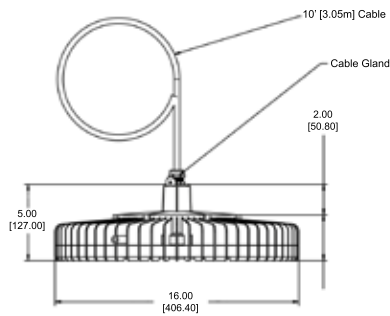
HBXW2 - Swivel Bracket and Cable Gland



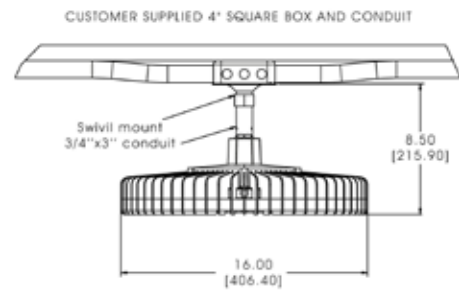
HBXDUALBRCKT - Dual Bracket



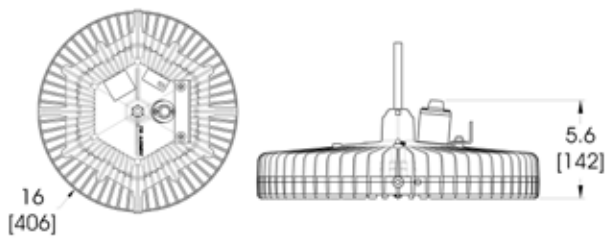
HBXCG - Cable Gland



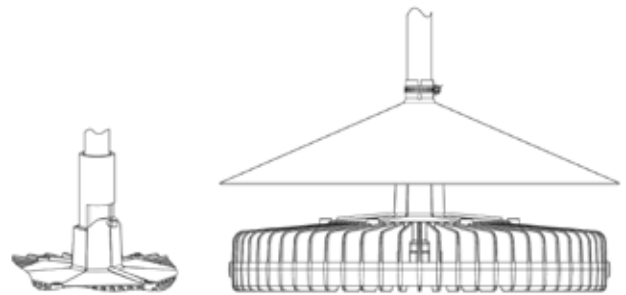
HBXCU - Ceiling Mount



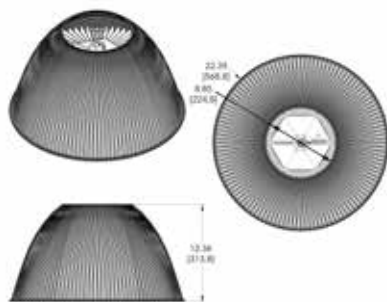
HEGMxxxx-SGG - Safety Bracket and Fuse Options



HBXDC - Dust Cover



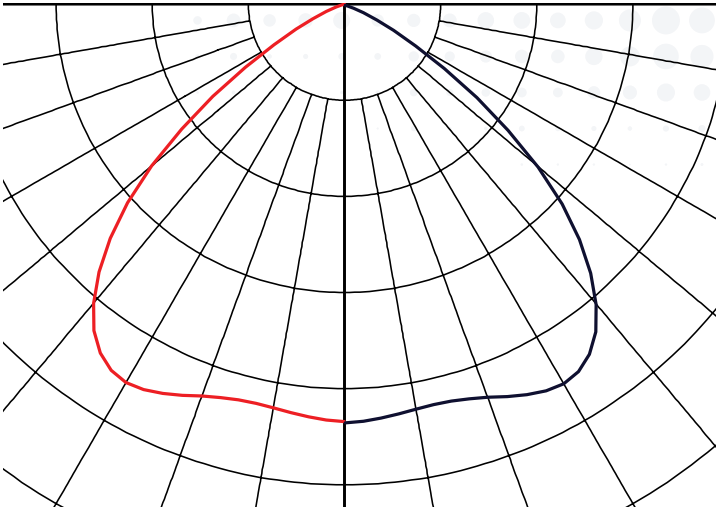
22" Acrylic Reflector - Consult factory



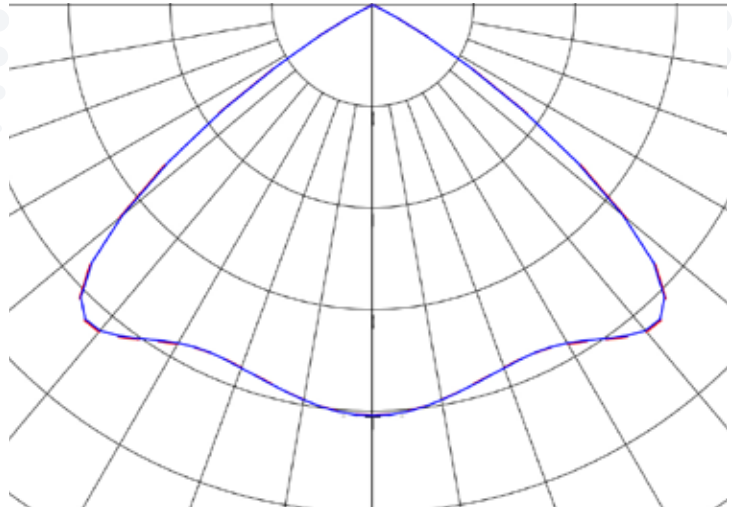
Vigilant® LED High Bay - UL / CSA

Light Distribution Pattern

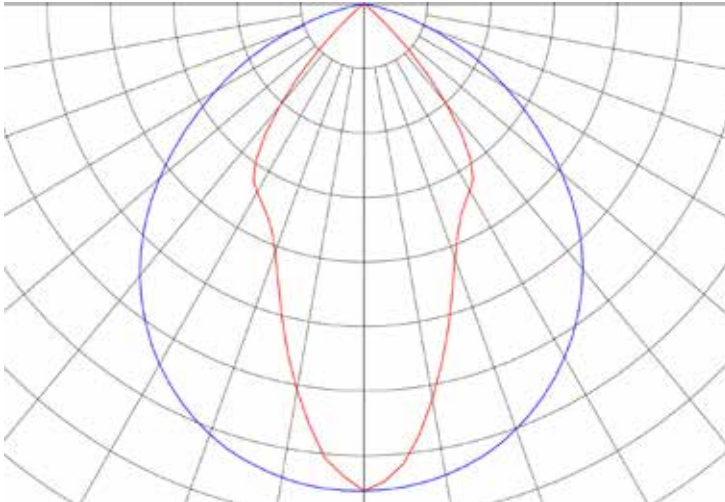
Medium pattern



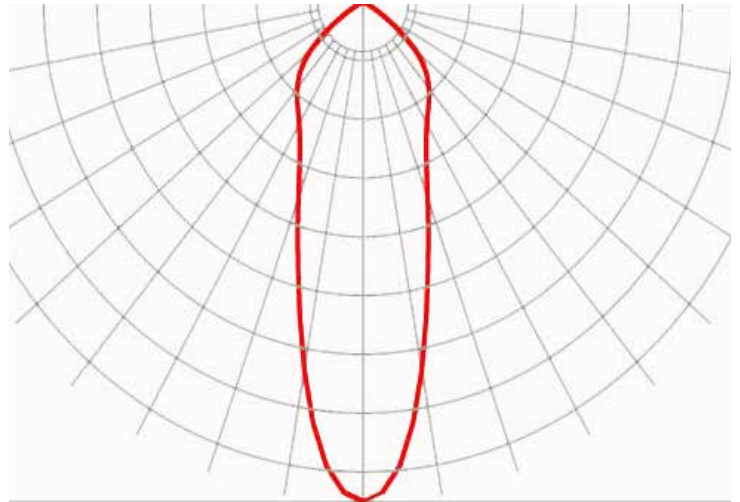
Wide pattern



Aisle pattern



Narrow pattern



Vigilant® LED High Bay - UL / CSA

Standard Models Ordering Information

Part Number	Fixture Lumen	Watt	LPW	Wet Location	Voltage	CCT	Lens	Optical Pattern
Standard Models								
HEGMC4PN-SNG	26,500	212	125	IP66	110 - 277V AC	5000K (cool white)	Tempered glass	Medium
HEGRC4PN-SNG	26,500	212	125	IP66	110 - 277V AC	5000K (cool white)	Tempered glass	Wide
HEGEC4PN-SNG	25,750	204	125	IP66	110 - 277V AC	5000K (cool white)	Tempered glass	Aisle
HEGNC4PN-SNG	26,500	212	125	IP66	110 - 277V AC	5000K (cool white)	Tempered glass	Narrow
HEGMC4KN-SNG	18,000	144	125	IP66	100 - 277V AC	5000K (cool white)	Tempered glass	Medium
HEGRC4KN-SNG	18,000	144	125	IP66	100 - 277V AC	5000K (cool white)	Tempered glass	Wide
HEGEC4KN-SNG	18,000	144	125	IP66	100 - 277V AC	5000K (cool white)	Tempered glass	Aisle
HEGNC4KN-SNG	18,000	144	125	IP66	100 - 277V AC	5000K (cool white)	Tempered glass	Narrow
HEGMC4GN-SNG	14,000	112	125	IP66	100 - 277V AC	5000K (cool white)	Tempered glass	Medium
HEGRC4GN-SNG	14,000	112	125	IP66	100 - 277V AC	5000K (cool white)	Tempered glass	Wide
HEGEC4GN-SNG	14,000	112	125	IP66	100 - 277V AC	5000K (cool white)	Tempered glass	Aisle
HEGNC4GN-SNG	14,000	112	125	IP66	100 - 277V AC	5000K (cool white)	Tempered glass	Narrow
HEGMC4DN-SNG	11,000	88	125	IP66	100 - 277V AC	5000K (cool white)	Tempered glass	Medium
HEGRC4DN-SNG	11,000	88	125	IP66	100 - 277V AC	5000K (cool white)	Tempered glass	Wide
HEGEC4DN-SNG	11,000	88	125	IP66	100 - 277V AC	5000K (cool white)	Tempered glass	Aisle
HEGNC4DN-SNG	11,000	88	125	IP66	100 - 277V AC	5000K (cool white)	Tempered glass	Narrow

All values typical unless otherwise stated, Lumen values are typical (tolerance +/- 10%).

All models shown in the table are Cool White, for models in Neutral White, 4000K CCT, replace the 5th character with an N. Ex: HEGMC4PN-SNG becomes HEGMN4PN-SNG. Deduct 5% from lumen values when specifying neutral.

For models needing a Safety Bracket, replace the 10th character with a S. Example HEGMC4PN-SNG becomes HEGMC4PN-SSG.

All models shown in the above table come with an internal fuse. For models needing an external fuse, replace the 10th character with an E. Ex: HEGMC4PN-SNG becomes HEGMC4PN-SEG. (Fixture will be listed damp location only with internal fuse).

For models needing both Safety Bracket & Fuse, replace the 10th character with a G. Ex: HEGMC4PN-SNG becomes HEGMC4PN-SGG.

Part numbers with occupancy sensor that will be installed with Hook or Loop (HBXH or HBXL) accessories will require a counter balance installed prior to shipment. Replace the 10th character with an O.

Ex: HEGMC4PN-SNG becomes HEGMC4PN-SOG.

Part numbers listed in the tables above come with a glass lens. For models needing a polycarbonate dome lens, replace the 3rd character with a L. Ex: HEGMC4PN-SNG becomes HELMC4PN-SNG. For models needing a flat polycarbonate lens, replace the 3rd character with a 2. Ex: HEGMC4PN-SNG becomes HE2MC4PN-SNG. For models needing a flat acrylic lens, replace the 3rd character with a 1. Ex: HEGMC4PN-SNG becomes HE1MC4PN-SNG (when changing to Acrylic, fixture is no longer wet location rated). Dome & acrylic lens not available on power wash models, please use glass or flat polycarbonate.

All model's shown in the table are 110-277V AC, for models needing 347V AC or 480V AC replace the 6th character with a 5. Ex: HEGMC4PN-SNG becomes HEGMC5PN-SNG. Add 12W for 480V AC & 29W for 347V AC.

Vigilant® LED High Bay - UL / CSA

Integrated Wiring Box Models Ordering Information

Part Number	Fixture Lumen	Watt	LPW	Wet Location	Voltage	CCT	Lens	Optical Pattern
Hook Integrated Wiring Box Models								
HJUGMC4PN-HNNG	26,500	212	125	IP66	110 - 277V AC	5000K (cool white)	Tempered glass	Medium
HJUGRC4PN-HNNG	26,500	212	125	IP66	110 - 277V AC	5000K (cool white)	Tempered glass	Wide
HJUGEC4PN-HNNG	25,750	204	125	IP66	110 - 277V AC	5000K (cool white)	Tempered glass	Aisle
HJUGNC4PN-HNNG	26,500	212	125	IP66	110 - 277V AC	5000K (cool white)	Tempered glass	Narrow
HJUGMC4KN-HNNG	18,000	144	125	IP66	100 - 277V AC	5000K (cool white)	Tempered glass	Medium
HJUGRC4KN-HNNG	18,000	144	125	IP66	100 - 277V AC	5000K (cool white)	Tempered glass	Wide
HJUGEC4KN-HNNG	18,000	144	125	IP66	100 - 277V AC	5000K (cool white)	Tempered glass	Aisle
HJUGNC4KN-HNNG	18,000	144	125	IP66	100 - 277V AC	5000K (cool white)	Tempered glass	Narrow
HJUGMC4GN-HNNG	14,000	112	125	IP66	100 - 277V AC	5000K (cool white)	Tempered glass	Medium
HJUGRC4GN-HNNG	14,000	112	125	IP66	100 - 277V AC	5000K (cool white)	Tempered glass	Wide
HJUGEC4GN-HNNG	14,000	112	125	IP66	100 - 277V AC	5000K (cool white)	Tempered glass	Aisle
HJUGNC4GN-HNNG	14,000	112	125	IP66	100 - 277V AC	5000K (cool white)	Tempered glass	Narrow
HJUGMC4DN-HNNG	11,000	88	125	IP66	100 - 277V AC	5000K (cool white)	Tempered glass	Medium
HJUGRC4DN-HNNG	11,000	88	125	IP66	100 - 277V AC	5000K (cool white)	Tempered glass	Wide
HJUGEC4DN-HNNG	11,000	88	125	IP66	100 - 277V AC	5000K (cool white)	Tempered glass	Aisle
HJUGNC4DN-HNNG	11,000	88	125	IP66	100 - 277V AC	5000K (cool white)	Tempered glass	Narrow
Conduit Integrated Wiring Box Models								
HJUGMC4PN-SNNG	26,500	212	125	IP66	110 - 277V AC	5000K (cool white)	Tempered glass	Medium
HJUGRC4PN-SNNG	26,500	212	125	IP66	110 - 277V AC	5000K (cool white)	Tempered glass	Wide
HJUGEC4PN-SNNG	25,750	204	125	IP66	110 - 277V AC	5000K (cool white)	Tempered glass	Aisle
HJUGNC4PN-SNNG	26,500	212	125	IP66	110 - 277V AC	5000K (cool white)	Tempered glass	Narrow
HJUGMC4KN-SNNG	18,000	144	125	IP66	100 - 277V AC	5000K (cool white)	Tempered glass	Medium
HJUGRC4KN-SNNG	18,000	144	125	IP66	100 - 277V AC	5000K (cool white)	Tempered glass	Wide
HJUGEC4KN-SNNG	18,000	144	125	IP66	100 - 277V AC	5000K (cool white)	Tempered glass	Aisle
HJUGNC4KN-SNNG	18,000	144	125	IP66	100 - 277V AC	5000K (cool white)	Tempered glass	Narrow
HJUGMC4GN-SNNG	14,000	112	125	IP66	100 - 277V AC	5000K (cool white)	Tempered glass	Medium
HJUGRC4GN-SNNG	14,000	112	125	IP66	100 - 277V AC	5000K (cool white)	Tempered glass	Wide
HJUGEC4GN-SNNG	14,000	112	125	IP66	100 - 277V AC	5000K (cool white)	Tempered glass	Aisle
HJUGNC4GN-SNNG	14,000	112	125	IP66	100 - 277V AC	5000K (cool white)	Tempered glass	Narrow
HJUGMC4DN-SNNG	11,000	88	125	IP66	100 - 277V AC	5000K (cool white)	Tempered glass	Medium
HJUGRC4DN-SNNG	11,000	88	125	IP66	100 - 277V AC	5000K (cool white)	Tempered glass	Wide
HJUGEC4DN-SNNG	11,000	88	125	IP66	100 - 277V AC	5000K (cool white)	Tempered glass	Aisle
HJUGNC4DN-SNNG	11,000	88	125	IP66	100 - 277V AC	5000K (cool white)	Tempered glass	Narrow

All values typical unless otherwise stated, Lumen values are typical (tolerance +/- 10%).

All models shown in the table are Cool White, for models in Neutral White, 4000K CCT, replace the 5th character with an N. Ex: HEGMC4PN-SNG becomes HEGMN4PN-SNG. Deduct 5% from lumen values when specifying neutral.

For models needing a Safety Bracket, replace the 10th character with a S. Example HEGMC4PN-SNG becomes HEGMC4PN-SSG.

All models show in the above table come with an internal fuse. For models needing an external fuse, replace the 10th character with an E. Ex: HEGMC4PN-SNG becomes HEGMC4PN-SEG.

(Fixture will be listed damp location only with internal fuse).

For models needing both Safety Bracket & Fuse, replace the 10th character with an G. Ex: HEGMC4PN-SNG becomes HEGMC4PN-SGG.

Part numbers with occupancy sensor that will be installed with Hook or Loop (HBXH or HBXL) accessories will require a counter balance installed prior to shipment. Replace the 10th character with an C.

Ex: HEGMC4PN-SNG becomes HEGMC4PN-SCG.

Part numbers listed in the tables above come with a glass lens. For models needing a polycarbonate dome lens, replace the 3rd character with a L. Ex: HEGMC4PN-SNG becomes HELMC4PN-SNG. For models needing a flat acrylic lens, replace the 3rd character with a A. Ex: HEGMC4PN-SNG becomes HE1MC4PN-SNG (when changing to Acrylic, fixture is no longer wet location rated). Dome & acrylic lens not available on power wash models, please use glass or flat polycarbonate.

Vigilant® LED High Bay - UL / CSA

Occupancy Sensor / Variable Dimming / Powerwash Models Ordering Information

Part Number	Fixture Lumen	Watt	LPW	Wet Location	Voltage	CCT	Lens	Optical Pattern
Occupancy Sensor Models								
HEGMC1PM-SNG	26,500	212	125	IP65	110 - 277V AC	5000K (cool white)	Tempered glass	Medium
HEGRC1PM-SNG	26,500	212	125	IP65	110 - 277V AC	5000K (cool white)	Tempered glass	Wide
HEGMC1KM-SNG	18,000	144	125	IP65	100 - 277V AC	5000K (cool white)	Tempered glass	Medium
HEGRC1KM-SNG	18,000	144	125	IP65	100 - 277V AC	5000K (cool white)	Tempered glass	Wide
HEGMC1GM-SNG	14,000	112	125	IP65	100 - 277V AC	5000K (cool white)	Tempered glass	Medium
HEGRC1GM-SNG	14,000	112	125	IP65	100 - 277V AC	5000K (cool white)	Tempered glass	Wide
HEGMC1DM-SNG	11,000	88	125	IP65	100 - 277V AC	5000K (cool white)	Tempered glass	Medium
HEGRC1DM-SNG	11,000	88	125	IP65	100 - 277V AC	5000K (cool white)	Tempered glass	Wide
Variable Dimming Models								
HEGMC4PD-SNG	26,500	212	125	IP66	110 - 277V AC	5000K (cool white)	Tempered glass	Medium
HEGRC4PD-SNG	26,500	212	125	IP66	110 - 277V AC	5000K (cool white)	Tempered glass	Wide
HEGMC4KD-SNG	18,000	144	125	IP66	100 - 277V AC	5000K (cool white)	Tempered glass	Medium
HEGRC4KD-SNG	18,000	144	125	IP66	100 - 277V AC	5000K (cool white)	Tempered glass	Wide
HEGMC4GD-SNG	14,000	112	125	IP66	100 - 277V AC	5000K (cool white)	Tempered glass	Medium
HEGRC4GD-SNG	14,000	112	125	IP66	100 - 277V AC	5000K (cool white)	Tempered glass	Wide
HEGMC4DD-SNG	11,000	88	125	IP66	100 - 277V AC	5000K (cool white)	Tempered glass	Medium
HEGRC4DD-SNG	11,000	88	125	IP66	100 - 277V AC	5000K (cool white)	Tempered glass	Wide
Powerwash Models								
HEGMC4PN-SPG	26,500	212	125	1000 PSI	110 - 277V AC	5000K (cool white)	Tempered glass	Medium
HEGRC4PN-SPG	26,500	212	125	1000 PSI	110 - 277V AC	5000K (cool white)	Tempered glass	Wide
HEGMC4KN-SPG	18,000	144	125	1000 PSI	100 - 277V AC	5000K (cool white)	Tempered glass	Medium
HEGRC4KN-SPG	18,000	144	125	1000 PSI	100 - 277V AC	5000K (cool white)	Tempered glass	Wide
HEGMC4GN-SPG	14,000	112	125	1000 PSI	100 - 277V AC	5000K (cool white)	Tempered glass	Medium
HEGRC4GN-SPG	14,000	112	125	1000 PSI	100 - 277V AC	5000K (cool white)	Tempered glass	Wide
HEGMC4DN-SPG	11,000	88	125	1000 PSI	100 - 277V AC	5000K (cool white)	Tempered glass	Medium
HEGRC4DN-SPG	11,000	88	125	1000 PSI	100 - 277V AC	5000K (cool white)	Tempered glass	Wide

All values typical unless otherwise stated, Lumen values are typical (tolerance +/- 10%).

All models shown in the table are Cool White, for models in Neutral White, 4000K CCT, replace the 5th character with an N. Ex: HEGMC4PN-SNG becomes HEGMN4PN-SNG. Deduct 5% from lumen values when specifying neutral.

For models needing a Safety Bracket, replace the 10th character with a S. Example HEGMC4PN-SNG becomes HEGMC4PN-SSG.

All models show in the above table come with an internal fuse. For models needing an external fuse, replace the 10th character with an E. Ex: HEGMC4PN-SNG becomes HEGMC4PN-SEG. (Fixture will be listed damp location only with internal fuse).

For models needing both Safety Bracket & Fuse, replace the 10th character with an G. Ex: HEGMC4PN-SNG becomes HEGMC4PN-SGG.

Part numbers with occupancy sensor that will be installed with Hook or Loop (HBXH or HBXL) accessories will require a counter balance installed prior to shipment. Replace the 10th character with an O.

Ex: HEGMC4PN-SNG becomes HEGMC4PN-SOG.

Part numbers listed in the tables above come with a glass lens. For models needing a polycarbonate dome lens, replace the 3rd character with a L. Ex: HEGMC4PN-SNG becomes HELMC4PN-SNG. For models needing a flat acrylic lens, replace the 3rd character with a 1. Ex: HEGMC4PN-SNG becomes HE1MC4PN-SNG (when changing to Acrylic, fixture is no longer wet location rated). Dome & acrylic lens not available on power wash models, please use glass or flat polycarbonate.

All model's shown in the table are 110-277V AC, for models needing 347V AC or 480V AC replace the 6th character with a 5. Ex: HEGMC4PN-SNG becomes HEGMC5PN-SNG. Add 12W for 480V AC & 29W for 347V AC.

