

THERMOELECTRIC COOLERS INDOOR/OUTDOOR



Unshrouded
60, 100 and 200 Watts



Shrouded
60, 100 and 200 Watts

INDUSTRY STANDARDS

UR, cUR Recognized; Type 12, 3R, 4, 4X; File No. SA6453

CE
IP 65

APPLICATION

Thermoelectric Coolers minimize downtime and component loss by removing heat around critical components within an enclosure. These compact, low-profile coolers using the Peltier effect allow for cooling of small indoor and outdoor enclosures. No condensers, compressors or filters are required making it a reliable solution for demanding low-maintenance environments.

FEATURES

- DC Powered operation for 24V and 48V applications
- Low profile design allows for mounting vertically and horizontally on any enclosure to avoid interference with internal components
- Filterless design reduces maintenance requirements
- Contains no refrigerant, making it earth friendly
- Prewired with simple terminal block for easy wiring connections
- Operates on the Peltier effect for cooling or heating
- Compressor-free air conditioning for demanding indoor and outdoor applications
- Shrouded and unshrouded models included in standard packages
- Operating temperature range -40 C (-40 F) to 55 C (131 F)
- Partial recess mount

SPECIFICATIONS

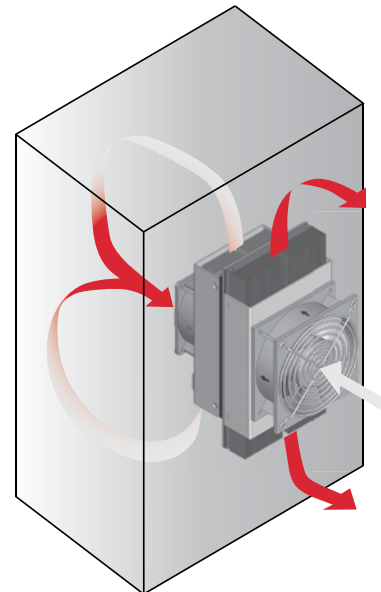
- Models
 - 60 Watt, 24 Volt
 - 100 Watt, 24/48 Volt
 - 200 Watt, 24/48 Volt

FINISH

- Shrouded finish includes both powder coat paint RAL 7035 light gray standard and stainless steel 304

ACCESSORIES

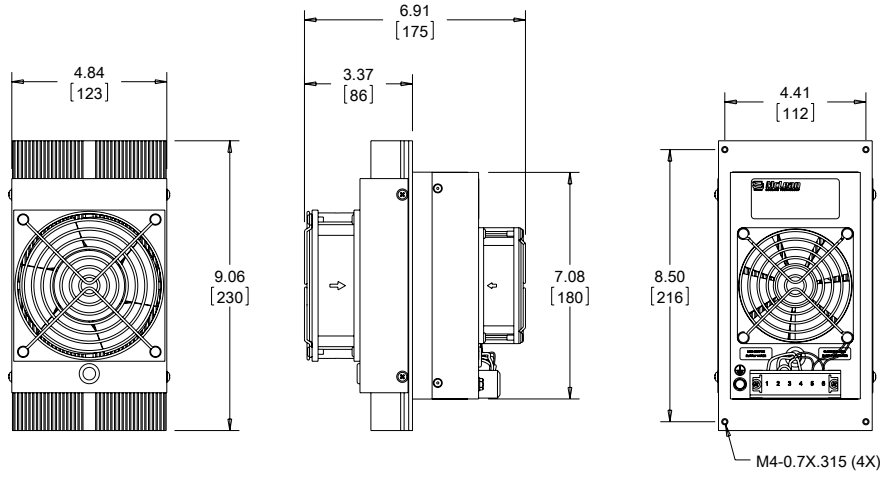
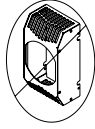
Thermoelectric Temperature Controller
Thermoelectric Condensate Manager



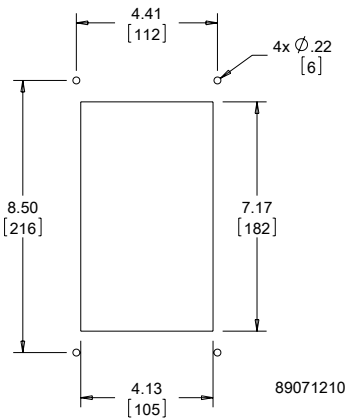
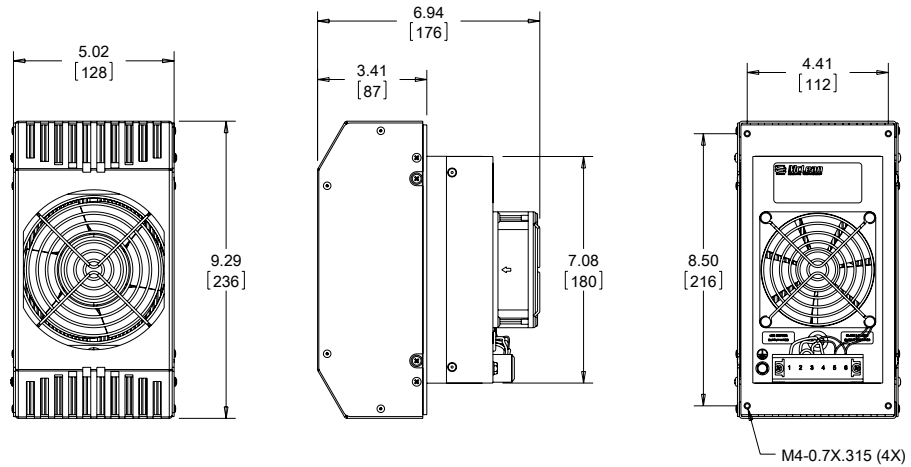
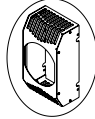
Performance Data **TE09 60W 204 BTU/Hr. (24 V)**

| CATALOG NUMBERS | | | |
|---|--------------------------|--|--------------------------|
| Description | 24V w/o shroud | 24V w/ painted shroud | 24V w/ SS shroud |
| Catalog Number | TE090624020 | TE090624010 | TE090624011 |
| COOLING PERFORMANCE | | | |
| BTU/Hr. | 178 | 178 | 178 |
| Watts | 52 | 52 | 52 |
| Operating Temperature Range: | | | |
| Maximum (°C / °F) | 55 / 131 | 55 / 131 | 55 / 131 |
| Minimum (°C / °F) | -40 / -40 | -40 / -40 | -40 / -40 |
| Air Flow at 0 Static Pressure: | | | |
| Internal loop (CFM / M ³ /Hr.) | 24 / 41 | 24 / 41 | 24 / 41 |
| External loop (CFM / M ³ /Hr.) | 80 / 136 | 80 / 136 | 80 / 136 |
| Nominal Heating Watts | 64 | 64 | 64 |
| ELECTRICAL DATA | | | |
| Input DC Voltage | | | |
| Nominal (VDC) | 24 | 24 | 24 |
| Minimum (VDC) | 18 | 18 | 18 |
| Maximum (VDC) | 27.6 | 27.6 | 27.6 |
| Power Consumption 95 F / 95 F (35 C / 35 C) (W) | 89 | 89 | 89 |
| Rated Current (Amps) at 131 F/131 F (55 C/55 C) | 4.4 | 4.4 | 4.4 |
| Agency Approvals | UR, cUR Recognized CE | UR, cUR Recognized CE | UR, cUR Recognized CE |
| Power Input Description | Terminal Block | Terminal Block | Terminal Block |
| ENCLOSURE PROTECTION | | | |
| UL Type / IP Rating | Type 12,3R,4,4X / IP 65 | Type 12,3R,4 / IP 65 | Type 12,3R,4,4X / IP 65 |
| SOUND LEVEL | | | |
| At 1.5 Meters | 65 dBA | 65 dBA | 65 dBA |
| UNIT CONSTRUCTION | | | |
| Heat Sink Material | Anodized Aluminum | Anodized Aluminum | Anodized Aluminum |
| Shroud Material | N/A | Galvanized Steel | Stainless Steel |
| Shroud Finish | N/A | RAL 7035 light-gray, semi-textured powder-coat paint standard | No. 4 Brushed Finish |
| UNIT DIMENSIONS | | | |
| Height (in. / mm) | 9.06/230 | 9.29/236 | 9.29/236 |
| Width (in. / mm) | 4.84/123 | 5.02/128 | 5.02/128 |
| Depth (in. / mm) | 6.91/176 | 6.94/176 | 6.94/176 |
| Weight (lb. / kg) | 6.00/2.70 | 7.80/3.60 | 7.80/3.60 |

60 W 24 V



60 W 24 V



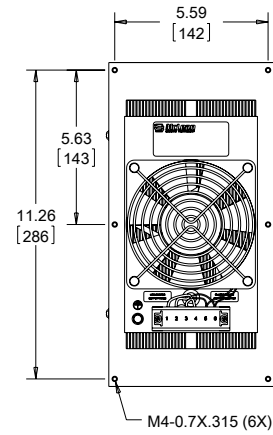
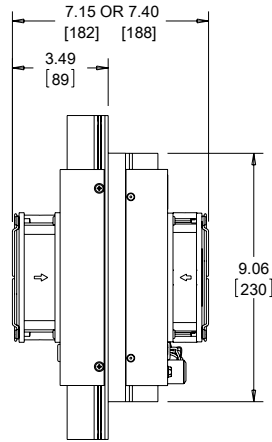
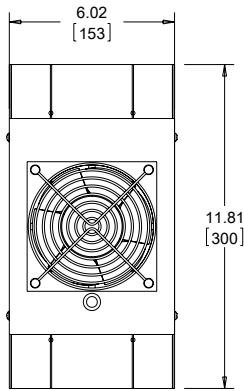
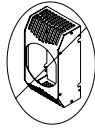
Cutout Dimensions

Visit nVent.com/HOFFMAN to download 2D and 3D CAD drawings into the overall design of your electrical system.

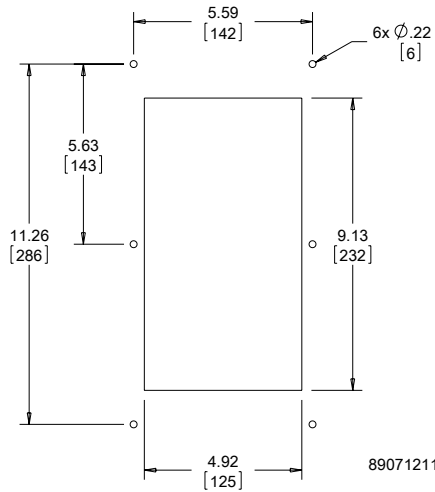
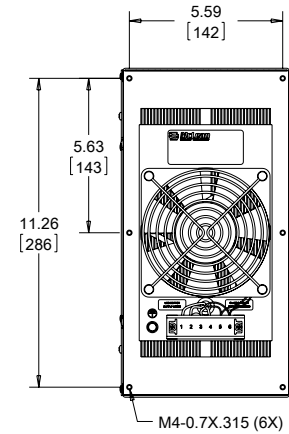
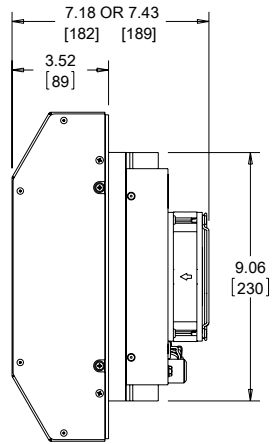
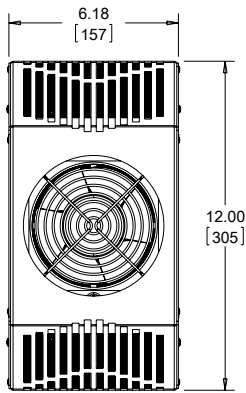
Performance Data **TE12 100W 341 BTU/Hr. (24/48 V)**

| CATALOG NUMBERS | | | | | |
|---|----------------------------------|--|----------------------------------|----------------------------------|--|
| Description | 24V w/o shroud | 24V w/ painted shroud | 24V w/ SS shroud | 48V w/o shroud | 48V w/ painted shroud |
| Catalog Number | TE121024020 | TE121024010 | TE121024011 | TE121048020 | TE121048010 |
| COOLING PERFORMANCE | | | | | |
| BTU/Hr. | 321 | 321 | 321 | 321 | 321 |
| Watts | 94 | 94 | 94 | 94 | 94 |
| Operating Temperature Range: | | | | | |
| Maximum (°C / °F) | 55 / 131 | 55 / 131 | 55 / 131 | 55 / 131 | 55 / 131 |
| Minimum (°C / °F) | -40 / -40 | -40 / -40 | -40 / -40 | -40 / -40 | -40 / -40 |
| Air Flow at 0 Static Pressure: | | | | | |
| Internal loop (CFM / M ³ /Hr.) | 62 / 105 | 62 / 105 | 62 / 105 | 62 / 105 | 62 / 105 |
| External loop (CFM / M ³ /Hr.) | 86 / 146 | 86 / 146 | 86 / 146 | 86 / 146 | 86 / 146 |
| Nominal Heating Watts | 94 | 94 | 94 | 94 | 94 |
| ELECTRICAL DATA | | | | | |
| Input DC Voltage | | | | | |
| Nominal (VDC) | 24 | 24 | 24 | 48 | 48 |
| Minimum (VDC) | 18 | 18 | 18 | 40 | 40 |
| Maximum (VDC) | 27.6 | 27.6 | 27.6 | 56.7 | 56.7 |
| Power Consumption | 162 | 162 | 162 | 162 | 162 |
| 95 F / 95 F (35 C / 35 C) (W) | | | | | |
| Rated Current (Amps) | 8.5 | 8.5 | 8.5 | 4.4 | 4.4 |
| at 131 F/131 F (55 C/55 C) | | | | | |
| Agency Approvals | UR, cUR Recognized CE GOST | UR, cUR Recognized CE GOST | UR, cUR Recognized CE GOST | UR, cUR Recognized CE GOST | UR, cUR Recognized CE GOST |
| Power Input Description | Terminal Block | Terminal Block | Terminal Block | Terminal Block | Terminal Block |
| ENCLOSURE PROTECTION | | | | | |
| UL Type / IP Rating | Type 12,3R,4,4X / IP 65 | Type 12,3R,4 / IP 65 | Type 12,3R,4,4X / IP 65 | Type 12,3R,4,4X / IP 65 | Type 12,3R,4 / IP 65 |
| SOUND LEVEL | | | | | |
| At 1.5 Meters | 68 dBA | 68 dBA | 68 dBA | 68 dBA | 68 dBA |
| UNIT CONSTRUCTION | | | | | |
| Heat Sink Material | Anodized Aluminum | Anodized Aluminum | Anodized Aluminum | Anodized Aluminum | Anodized Aluminum |
| Shroud Material | N/A | Galvanized Steel | Stainless Steel | N/A | Galvanized Steel |
| Shroud Finish | N/A | RAL 7035 light-gray, semi-textured powder-coat paint standard | No. 4 Brushed Finish | N/A | RAL 7035 light-gray, semi-textured powder-coat paint standard |
| UNIT DIMENSIONS | | | | | |
| Height (in. / mm) | 11.81/300 | 12.00/305 | 12.00/305 | 11.81/300 | 12.00/305 |
| Width (in. / mm) | 6.02/153 | 6.18/157 | 6.18/157 | 6.02/153 | 6.18/157 |
| Depth (in. / mm) | 7.40/188 | 7.43/189 | 7.43/189 | 7.40/188 | 7.43/189 |
| Weight (lb. / kg) | 8.50/3.90 | 11.00/5.00 | 11.00/5.00 | 8.50/3.90 | 11.00/5.00 |

100 W 24/48 V



100 W 24/48 V



Cutout Dimensions

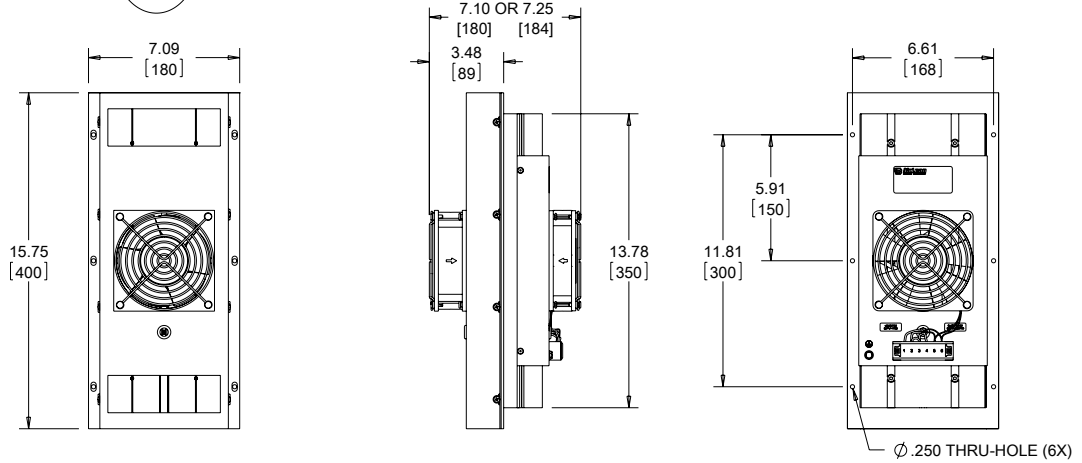
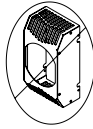
89071211

Visit nVent.com/HOFFMAN to download 2D and 3D CAD drawings into the overall design of your electrical system.

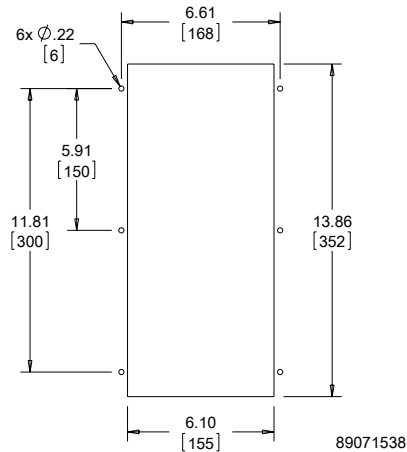
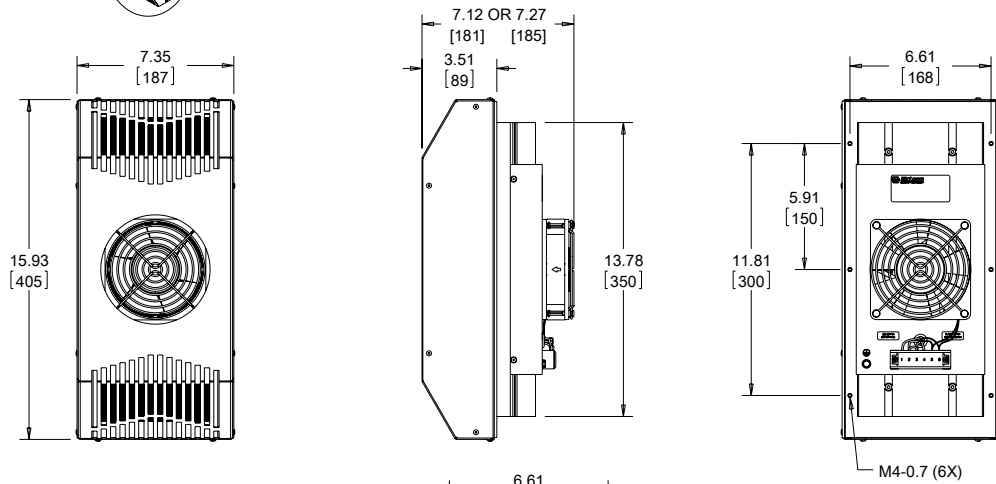
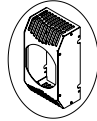
Performance Data **TE16 200W 682 BTU/Hr. (24/48 V)**

| CATALOG NUMBERS | | | | | |
|--|----------------------------------|--|----------------------------------|----------------------------------|--|
| Description | 24V w/o shroud | 24V w/ painted shroud | 24V w/ SS shroud | 48V w/o shroud | 48V w/ painted shroud |
| Catalog Number | TE162024020 | TE162024010 | TE162024011 | TE162048020 | TE162048010 |
| COOLING PERFORMANCE | | | | | |
| BTU/Hr. | 567 | 567 | 567 | 567 | 567 |
| Watts | 166 | 166 | 166 | 166 | 166 |
| Operating Temperature Range: | | | | | |
| Maximum (°C / °F) | 55 / 131 | 55 / 131 | 55 / 131 | 55 / 131 | 55 / 131 |
| Minimum (°C / °F) | -40 / -40 | -40 / -40 | -40 / -40 | -40 / -40 | -40 / -40 |
| Air Flow at 0 Static Pressure: | | | | | |
| Internal loop (CFM / M ³ /Hr.) | 62 / 105 | 62 / 105 | 62 / 105 | 62 / 105 | 62 / 105 |
| External loop (CFM / M ³ /Hr.) | 86 / 146 | 86 / 146 | 86 / 146 | 86 / 146 | 86 / 146 |
| Nominal Heating Watts | 146 | 146 | 146 | 146 | 146 |
| ELECTRICAL DATA | | | | | |
| Input DC Voltage | | | | | |
| Nominal (VDC) | 24 | 24 | 24 | 48 | 48 |
| Minimum (VDC) | 18 | 18 | 18 | 40 | 40 |
| Maximum (VDC) | 27.6 | 27.6 | 27.6 | 56.7 | 56.7 |
| Power Consumption 95 F / 95 F (35 C / 35 C) (W) | 295 | 295 | 295 | 295 | 295 |
| Rated Current (Amps) at 131 F/131 F (55 C/55 C) | 14.7 | 14.7 | 14.7 | 7.6 | 7.6 |
| Agency Approvals | UR, cUR Recognized CE GOST | UR, cUR Recognized CE GOST | UR, cUR Recognized CE GOST | UR, cUR Recognized CE GOST | UR, cUR Recognized CE GOST |
| Power Input Description | Terminal Block | Terminal Block | Terminal Block | Terminal Block | Terminal Block |
| ENCLOSURE PROTECTION | | | | | |
| UL Type / IP Rating | Type 12,3R,4,4X / IP 65 | Type 12,3R,4 / IP 65 | Type 12,3R,4,4X / IP 65 | Type 12,3R,4,4X / IP 65 | Type 12,3R,4 / IP 65 |
| SOUND LEVEL | | | | | |
| At 1.5 Meters | 68 dBA | 68 dBA | 68 dBA | 68 dBA | 68 dBA |
| UNIT CONSTRUCTION | | | | | |
| Heat Sink Material | Anodized Aluminum | Anodized Aluminum | Anodized Aluminum | Anodized Aluminum | Anodized Aluminum |
| Shroud Material | N/A | Galvanized Steel | Stainless Steel | N/A | Galvanized Steel |
| Shroud Finish | N/A | RAL 7035 light-gray, semi-textured powder-coat paint standard | No. 4 Brushed Finish | N/A | RAL 7035 light-gray, semi-textured powder-coat paint standard |
| UNIT DIMENSIONS | | | | | |
| Height (in. / mm) | 15.75/400 | 15.93/405 | 15.93/405 | 15.75/400 | 15.93/405 |
| Width (in. / mm) | 7.09/180 | 7.35/187 | 7.35/187 | 7.09/180 | 7.35/187 |
| Depth (in. / mm) | 7.25/184 | 7.27/185 | 7.27/185 | 7.25/184 | 7.27/185 |
| Weight (lb. / kg) | 14.80/6.70 | 18.60/8.40 | 18.60/8.40 | 14.80/6.70 | 18.60/8.40 |

200 W 24/48 V



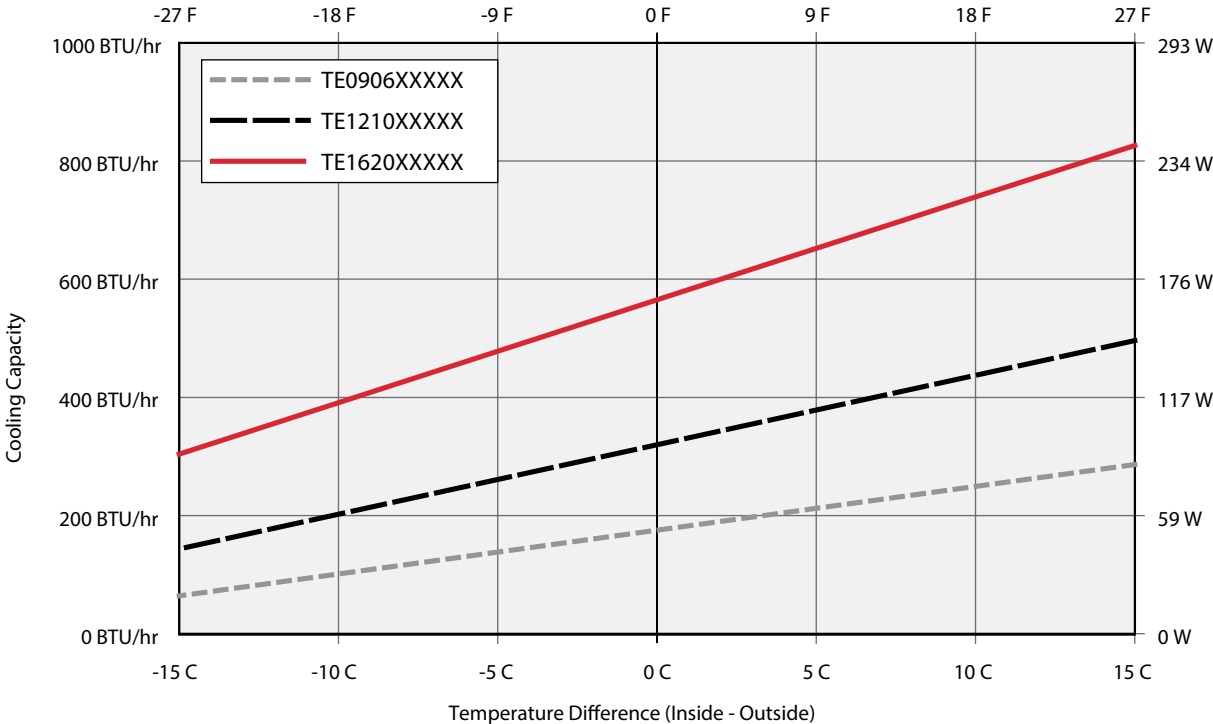
200 W 24/48 V

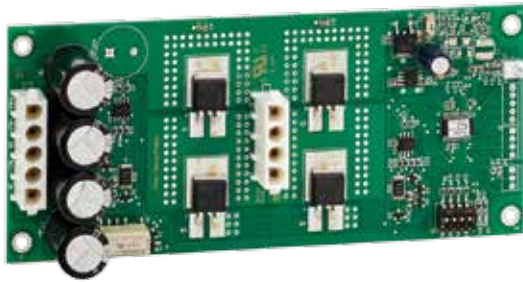


Cutout Dimensions

Visit nVent.com/HOFFMAN to download 2D and 3D CAD drawings into the overall design of your electrical system.

Cooling Capacity versus Temperature D at 35 C (95 F) Ambientifference



THERMOELECTRIC TEMPERATURE CONTROLLER

INDUSTRY STANDARDS

UL Recognized; File No. E351017

FEATURES

- Provides PWM regulation of cooling and heating output for TEC units
- Automatically switches between cooling and heating
- 4 cooling temperature set points range from 22.5 C to 35 C (35 C Factory Setting)
- 3 heating temperature set points range from -5 C to 15 C (15 C Factory Setting)
- Heating function can be easily disabled if desired
- On-board LEDs indicate low temp, high temp alarm, and overall system status
- Dry contact relay output provides for external alarm indication

Performance Data

| CATALOG NUMBERS | | | |
|------------------------------------|--|--|--|
| | TEC24VCNTRLN | TEC48VCNTRLN | |
| ELECTRICAL DATA | | | |
| Rated Voltage (VDC) | 24 | 48 | |
| Operating Range (VDC) | 18 to 30 | 40 to 60 | |
| Current @ Rated Voltage (Amps) | 17.2 | 8.6 | |
| Operating Temperature Range | | | |
| Maximum (°F/°C) | 131 / 55 | | |
| Minimum (°F/°C) | -40 / -40 | | |
| Temperature Accuracy (°F/°C) | ± 3.6 / 2.0 | | |
| Alarm Contact Rating | 1) 0.5 A max @ 24 VDC - from same source of power as unit, SELV, non-power limited (greater than 15 W); OR 2) 0.5 A max @ 24 VAC - from, SELV, Class 2 safety isolating transformer. | 1) 0.5 A max @ 48 VDC - from same source of power as unit, SELV, non-power limited (greater than 15 W); OR 2) 0.5 A max @ 24 VAC - from, SELV, Class 2 safety isolating transformer. | |
| UNIT DIMENSIONS | | | |
| PCB Dimensions | | | |
| Height (in/mm) | 1.20 / 30 | | |
| Width (in/mm) | 2.88 / 73 | | |
| Length (in/mm) | 6.50 / 165 | | |
| Weight (lb./kg) | 0.21 / 0.10 | | |
| Mounting Bracket Dimensions | | | |
| Height (in/mm) | 0.50 / 13 | | |
| Width (in/mm) | 3.19 / 91 | | |
| Length (in/mm) | 6.50 / 165 | | |
| Weight (lb./kg) | 0.29 / 0.13 | | |
| Accessories | | | |
| Input Supply Harness | 60-in. (1525mm) long Supply Harness Catalog Number TECSUPPLYHARNESS | | |
| Board to TEC Harness | 36-in. (915mm) long Control Harness Catalog Number TECCONTROLHARNESS | | |

THERMOELECTRIC CONDENSATE MANAGER



INDUSTRY STANDARDS

Maintains UL/cUL Type 3R, 12, 4 and 4X rating when properly installed

FEATURES

- Includes all required hardware and vent drain
- Maintains the integrity of Type 4 or Type 4X enclosure
- Drains condensation to bottom of enclosure via vent drain (vent drain included with package)
- Utilizes existing mounting holes and fasteners of thermoelectric cooler that requires no additional mounting

FINISH

- Pan Material Galvanized steel polyester powder coat paint with RAL 7035
- Vent drain material options include stainless steel or non-metallic

Performance Data

| CATALOG NUMBERS | | | | | | |
|--------------------------|---|--------------|-----------------|--------------|-----------------|--------------|
| | TEC60WCSS4 | TEC60WCMNM | TEC100WCSS4 | TEC100WCMNM | TEC200WCSS4 | TEC200WCMNM |
| Fits TEC Unit Model | All TE09 | All TE09 | All TE12 | All TE12 | All TE16 | All TE16 |
| UNIT CONSTRUCTION | | | | | | |
| Pan Material | Galvanized Steel | | | | | |
| Pan Finish | RAL 7035 light-gray, semi-textured powder-coat paint standard | | | | | |
| Vent Drain Material | Stainless Steel | Non-Metallic | Stainless Steel | Non-Metallic | Stainless Steel | Non-Metallic |
| UNIT DIMENSIONS | | | | | | |
| Height (in./mm) | .75/19 | .75/19 | .75/19 | .75/19 | .75/19 | .75/19 |
| Width (in./mm) | 5.50/140 | 5.50/140 | 6.25/159 | 6.25/159 | 7.44/189 | 7.44/189 |
| Depth (in./mm) | 2.50/64 | 2.50/64 | 2.50/64 | 2.50/64 | 2.50/64 | 2.50/64 |