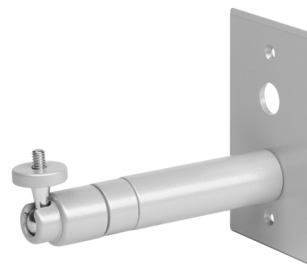


# C10-UM Universal Indoor Camera Mount

## WALL, CEILING, T-RAIL

### Product Features

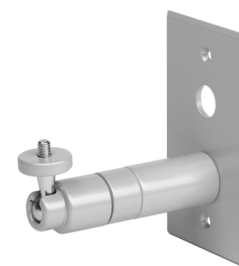
- Wall, Ceiling, or T-Rail Mounting
- Cost Effective
- Compatible with Most Installations
- Includes 1.75-inch (4.45 cm) Tube for Compact Cameras
- Includes 3.25-inch (8.25 cm) Tube for Full-Size Cameras
- Contemporary Design
- Adjustable Swivel Head
- Supports up to 7 lb (3.2 kg)



WALL MOUNT,  
FULL SIZE CAMERA



T-RAIL MOUNT



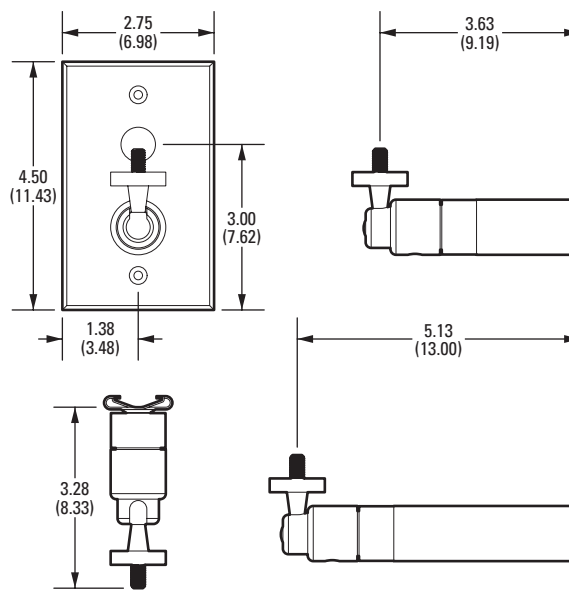
WALL MOUNT,  
COMPACT CAMERA

The **C10-UM** is a universal camera mount kit that includes all the components for wall, ceiling, or T-rail clip installations for most box type cameras with 1/4 x 20-inch mounting holes. The kit supports cameras weighing up to 7 lb (3.18 kg). The ball socket of the kit allows for 360-degree pan adjustment and 90-degree tilt adjustment.

The **C10-UM** mounting plate is designed to attach a standard 2 x 4-inch (5.08 x 10.16 cm) electrical box, or it can be flush mounted to the ceiling or a wall (hardware not supplied). A T-rail clip is included for installations where the mounting plate cannot be used.

Designed with a fully adjustable ball socket, the **C10-UM** allows for camera adjustment from a level position to a tilt angle of 90 degrees and a rotation of 360 degrees. A set screw locks the ball socket in place.

Finished in an attractive neutral gray color, the mounting pieces compliment cameras without being a distraction to the installation aesthetics.



NOTE: VALUES IN PARENTHESES ARE CENTIMETERS;  
ALL OTHERS ARE INCHES.

# TECHNICAL SPECIFICATIONS

## MODEL

C10-UM

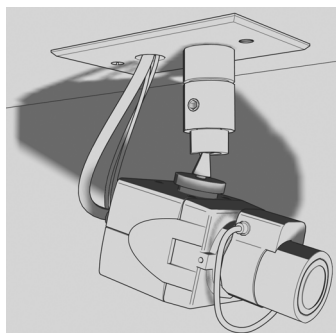
Universal camera mount kit: mounting plate, 3.35-inch (8.25 cm) extension tube, 1.75-inch (4.45 cm) extension tube, ball socket assembly, and T-bar clip

## MECHANICAL

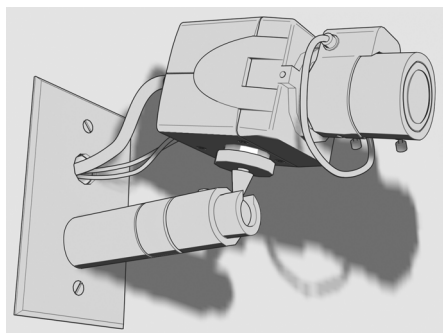
Pan Adjustment 360°  
Tilt Adjustment 90° maximum  
Camera Mounting 1/4 x 20-inch threaded bolt with adjustment ring  
Locking Method Set screw secures the ball socket

## GENERAL

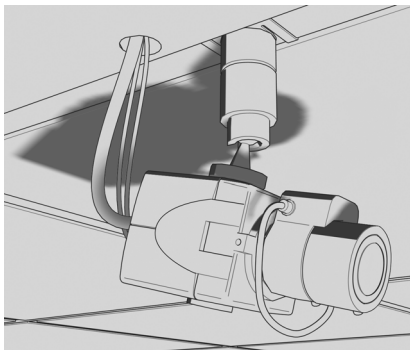
Construction Aluminum  
Finish Silver  
Maximum Load 7.0 lb (3.2 kg)  
Unit Weight 0.75 lb (0.34 kg)  
Shipping Weight 1.0 lb (0.45 kg)



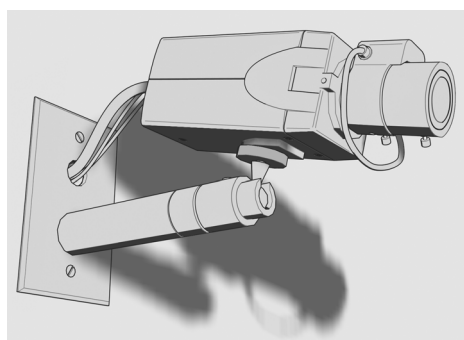
**CEILING MOUNT**



**WALL MOUNT, COMPACT CAMERA**



**T-RAIL MOUNT**



**WALL MOUNT, FULL-SIZE CAMERA**



**Pelco, Inc.**  
625 W. Alluvial Ave. Fresno, CA 93711 USA  
**USA & Canada** Tel: (800) 289-9100 • FAX: (800) 289-9150  
**International** Tel: +1 (559) 292-1981 • FAX: +1 (559) 348-1120  
[www.pelco.com](http://www.pelco.com)

Pelco, the Pelco logo, and Spectra are registered trademarks of Pelco, Inc. Product specifications and availability subject to change without notice. ©Copyright 2008, Pelco, Inc. All rights reserved.