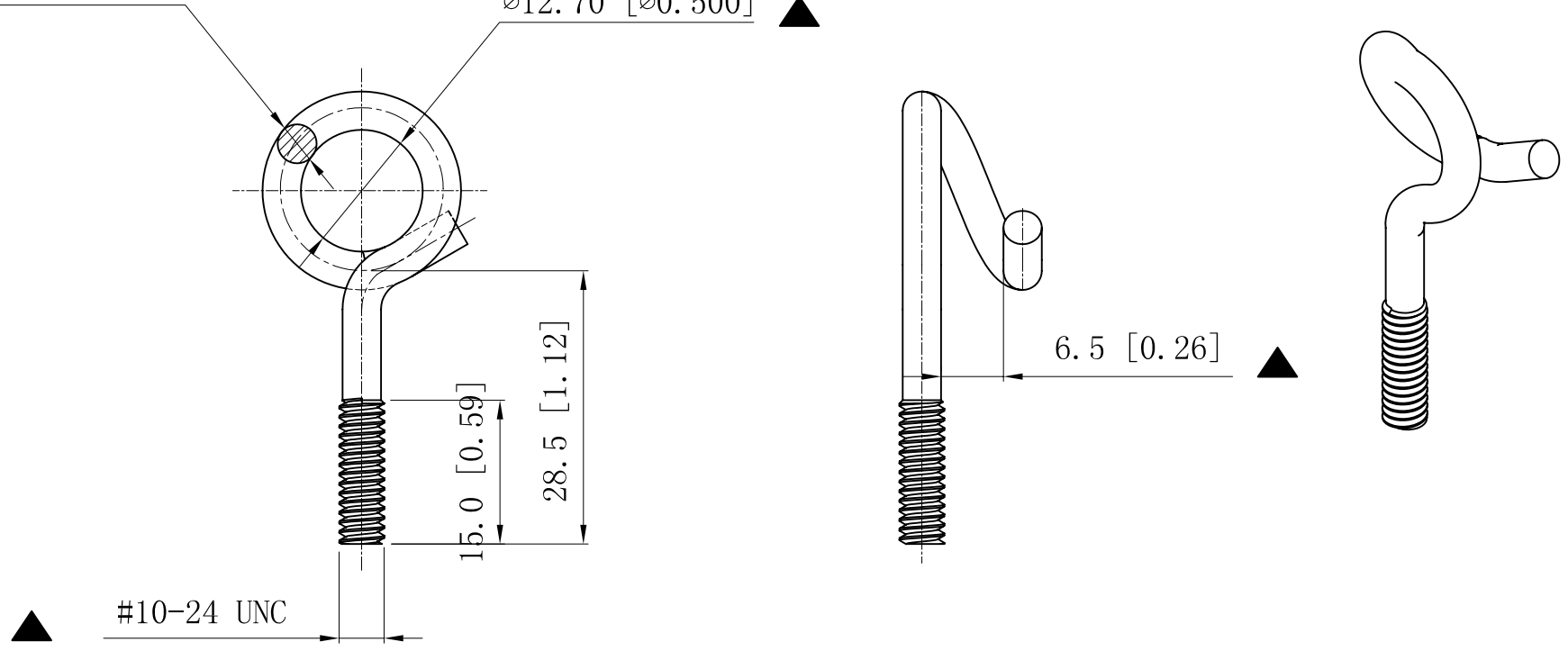


SIDES	BOTTOM
Material: Steel- $\varnothing$ 0.16"-(C1008-C1018) Zinc Plated	

$\varnothing 4.06-0.06$   $\left[ \begin{matrix} +0.02 \\ +0.0008 \end{matrix} \right]$   
 $\left[ \begin{matrix} +0.0008 \\ \varnothing 0.160-0.0024 \end{matrix} \right]$

$\varnothing 12.70$  [ $\varnothing 0.500$ ] ▲



DESCRIPTION
TRADE REFERENCE TERMS

This data sheet is for reference only .GARVIN INDUSTRIES reserves the right to make changes to the design without prior notice.

STANDARD PACKING	<h1 style="text-align: center;">GARVIN INDUSTRIES</h1> <h2 style="text-align: center;">MACHINE-SCREW BRIDLE RIGS</h2>		
100 PCS			
TITLE	SIZE	DWG NO.	REV
	A4	BR-501024	
DATA SHEET			