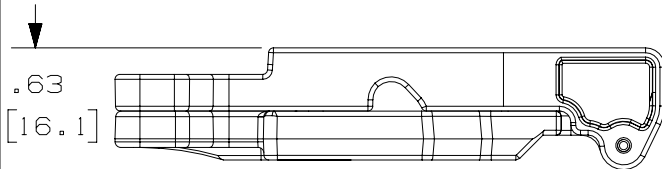
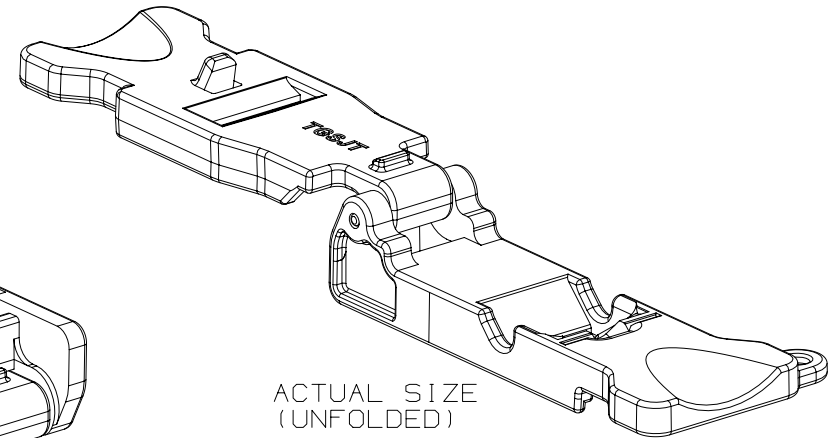
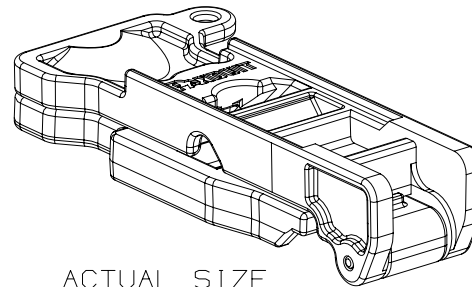
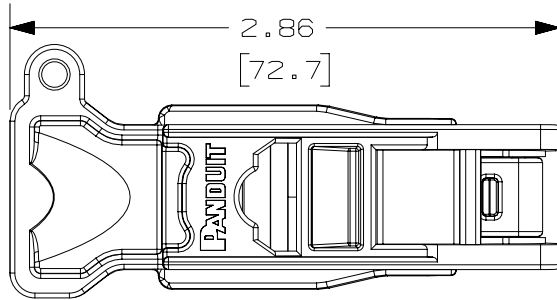
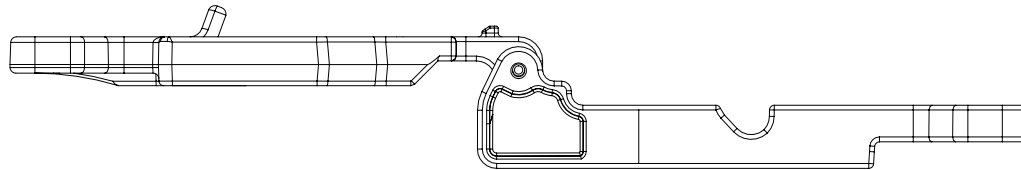
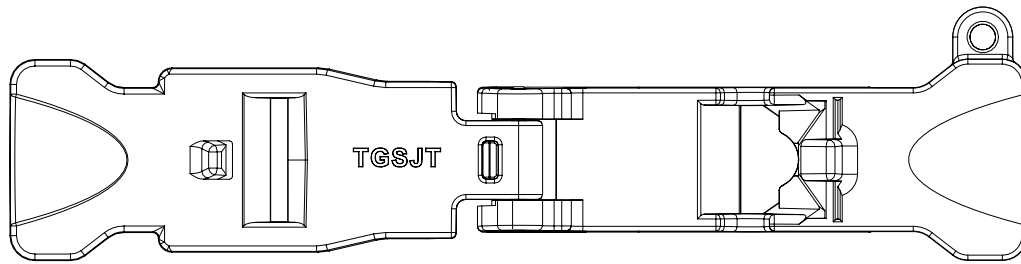


THIS COPY IS PROVIDED ON A RESTRICTED BASIS AND IS NOT TO BE USED IN ANY WAY DETRIMENTAL TO THE INTERESTS OF PANDUIT CORP.

PANDUIT P/N	WEIGHT
TGSJT	.32 LB/10 PCS [ 145g/10 PCS ]

- NOTE:
1. TG JACK MODULE TERMINATION TOOL FOR TERMINATION OF 45° WIRE CAPS, (CJUDCAP%--% & CJLRCAP%--%)
  2. SEE SPECIFICATION SHEET FOR COMPATIBLE TG JACK MODULES
  3. MATERIAL: GLASS-FILLED NYLON
  4. COLOR: RUBY RED



PART NUMBER: SEE TABLE	PRODUCT SPECIFICATION NUMBER: N/A
FMEA/CONTROL PLAN NUMBER: N/A	PACKAGING INSTRUCTION NUMBER: N/A
INSPECTION INSTRUCTION NUMBER: N/A	WORK INSTRUCTION NUMBER: N/A

TITLE <b>45° TG JACK TERMINATION TOOL</b>	
CUSTOMER DRAWING	
ITEM REVISION NAME 00153LAD/01	<b>PANDUIT</b>
DATASET FILE NAME 00153LAD_DC02/01A	
UNLESS OTHERWISE SPECIFIED, DIMENSIONAL TOLERANCES ARE: IN [ mm ]	
.x ± .1 [ 2.54 ]	.xxx ± .005 [ .127 ]
.xx ± .01 [ .25 ]	ANGLES ± 5 °
THIRD ANGLE PROJECTION	
DRAWING NUMBER: 00153LAD-02	

2	10-27-16	BJN	JAV	TMBA	RELEASED TO PRODUCTION	00153LAD-02
1	10-18-16	BJN	JAV		REVISED & REDRAWN PREVIOUS REVISIONS REMVD FOR CLARITY	

REV	DATE	BY	CHK	APR	DESCRIPTION	ECN	DRAWN BY BJN	DATE 10-6-16	CHK JAV	SCALE FULL	SHT 1 OF 1	SIZE A
-----	------	----	-----	-----	-------------	-----	-----------------	-----------------	------------	---------------	------------	-----------

D101000DA/14