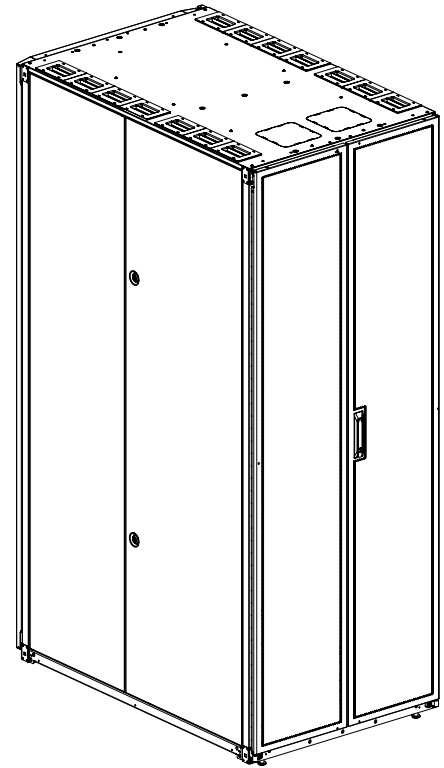
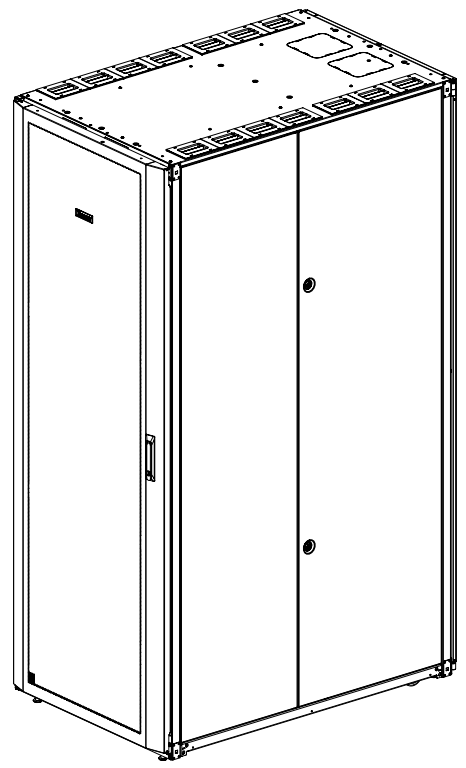


THIS COPY IS PROVIDED ON A RESTRICTED BASIS AND IS NOT TO BE USED IN ANY WAY DETRIMENTAL TO THE INTERESTS OF PANDUIT CORP.



FRONT VIEW
WITH SIDE PANELS AND
SINGLE HINGE FRONT
PERFORATED DOOR

REAR VIEW
WITH SIDE PANELS AND
SPLIT PERFORATED REAR DOOR

1. VISIT OUR ON-LINE CATALOG AT WWW.PANDUIT.COM FOR A LIST OF CURRENT PARTS APPLICABLE FOR USE WITH THIS PRODUCT.
2. FACTORY SETTINGS 1070mm:
 - FRONT FACE OF FRONT E-RAILS ARE 175mm [6.89in] FROM FRONT FACE OF FRAME.
 - FRONT FACE OF REAR E-RAILS ARE 412.75mm [16.25in] FROM FRONT FACE OF FRONT E-RAILS.
3. FACTORY SETTINGS 1200mm:
 - FRONT FACE OF FRONT E-RAILS ARE 175mm [6.89in] FROM FRONT FACE OF FRAME.
 - FRONT FACE OF REAR E-RAILS ARE 622.3mm [24.5in] FROM FRONT FACE OF FRONT E-RAILS.
4. ADJUSTMENTS:
 - RAIL ADJUSTMENT MEASUREMENTS ARE TAKEN FROM THE FRONT FACE OF EACH EQUIPMENT RAIL. SEE TABLE ON SHEET 6
5. PRIMARY DIMENSIONS ARE IN MILLIMETERS.
6. CAN BE USED WITH ANY 19" EIA STANDARD COMPONENT IN ADDITION TO ALL PANDUIT HORIZONTAL CABLE MANAGEMENT AND PATCH PANEL PRODUCTS.
7. EIA UNIVERSAL STANDARD HOLE PROGRESSION ON EQUIPMENT RAILS 15.88mm, 15.88mm, 12.70mm, 15.88mm, 15.88mm, 12.7mm...ETC.
8. PARTS SUPPLIED:
 - BASE CABINET
 - FRONT PERFORATED SINGLE HINGE DOOR (SEE CHARTS ON SHEET 2,3)
 - REAR PERFORATED SPLIT DOOR (SEE CHARTS ON SHEET 2,3)
 - SPLIT SIDE PANELS (SEE CHARTS ON SHEET 2,3)
 - STANDARD PDU BRACKETS (SEE CHARTS ON SHEET 2,3)
 - CAGE NUT FINGER MANAGEMENT EQUIPMENT RAILS FRONT AND REAR (SEE CHARTS ON SHEET 2,3)
 - CASTERS (SEE CHARTS ON SHEET 2,3)
 - CABLE MANAGEMENT FINGERS (SEE CHARTS ON SHEET 2,3)
 - E-RAIL POSITION MARKINGS
 - CABINET HARDWARE KIT
 - INSTRUCTION SHEET
9. RACK UNIT SPACING NUMERALS ARE CLEARLY PRINTED ON EQUIPMENT MOUNTING RAILS.
10. FULLY BONDED STRUCTURE WHEN ASSEMBLED PER INSTRUCTIONS.
11. STATIC LOAD RATING: 1360 Kg (3000LBS)
12. ROLLING LOAD RATING: 1133 Kg (2500 LBS)
13. SINGLE POINT GROUND LOCATIONS AT TOP AND BOTTOM OF CABINET.
14. ALL CABINET RAILS ARE INSTALLED NUMBERS UP.
15. -WHITE CABINETS HAVE WHITE EXTERIOR SURFACES AND BLACK INTERIOR COMPONENTS.
-BLACK CABINETS HAVE BLACK EXTERIOR SURFACES AND BLACK INTERIOR COMPONENTS.

SHOWN WITH STANDARD DOORS AND SIDE PANELS. YOUR CONFIGURATION MAY DIFFER.

REV	DATE	BY	CHK	APR	DESCRIPTION	ECN
00C	3/14/18	LEE	BRAP	ELE	D. LOCATION FOR DIM FOR FLOOR MOUNT CORRECTED, SHT 4	V09001UV/02
00B	3/5/18	LEE	LDR	ELE	B. UPDATED CHART - DIM "E", SHT 7 C. CORRECT TILE COVERAGE, SH 4 A. DIM FOR FLOOR MOUNT CORRECTED, SHT 7	V09001UV/01
00A	2/12/18	MES	BRAP	DJWA	RELEASED TO PRODUCTION	V09001UV

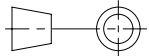
TITLE					
NET-ACCESS S-TYPE UNIVERSAL WITH FULLY ADJUSTABLE FRONT RAILS CABINET					
CUSTOMER DRAWING					
ITEM REVISION NAME			15V491KY/00		
DATASET FILE NAME			15V491KY_DC/00C		
MATERIAL:			PANDUIT		
			N/A		
DRAWING NUMBER:			15V491KY-DC		
DRAWN BY		DATE	CHK	SCALE	THIRD ANGLE PROJECTION
MES		2/12/18	BRAP	NONE	
SHT 1 OF 7		A			

D10100DA/16

THIS COPY IS PROVIDED ON A RESTRICTED BASIS AND IS NOT TO BE USED IN ANY WAY DETRIMENTAL TO THE INTERESTS OF PANDUIT CORP.

1070mm UNIVERSAL CABINETS											
PART NO.	DESCRIPTION	SINGLE HINGE FRONT DOOR	SPLIT REAR DOOR	SPLIT SIDE PANEL	FRONT CAGE NUT FINGER MGMT E-RAILS	REAR CAGE NUT FINGER MGMT E-RAILS	STANDARD PDU BRACKETS	CASTERS	CABLE MGMT FINGERS	CABINET WEIGHT FULLY UNPACKAGED	CABINET WEIGHT SHIPPING WEIGHT
S6212*U	NET-ACCESS S-TYPE CABINET 600mm X 42RU X 1070mm DEEP	01	01	02	02	02	02	04	01	114 Kg/EACH 253 LBS/EACH	135 Kg/EACH 298 LBS/EACH
S6512*U	NET-ACCESS S-TYPE CABINET 600mm X 45RU X 1070mm DEEP	01	01	02	02	02	02	04	01	119 Kg/EACH 263 LBS/EACH	139 Kg/EACH 308 LBS/EACH
S6812*U	NET-ACCESS S-TYPE CABINET 600mm X 48RU X 1200mm DEEP	01	01	02	02	02	02	04	01	123 Kg/EACH 273 LBS/EACH	144 Kg/EACH 318 LBS/EACH
S6219*U	NET-ACCESS S-TYPE CABINET 600mm X 42RU X 1200mm DEEP	01	01	00	02	02	02	04	01	81 Kg/EACH 180 LBS/EACH	102 Kg/EACH 225 LBS/EACH
S6519*U	NET-ACCESS S-TYPE CABINET 600mm X 45RU X 1200mm DEEP	01	01	00	02	02	02	04	01	84 Kg/EACH 185 LBS/EACH	104 Kg/EACH 230 LBS/EACH
S6819*U	NET-ACCESS S-TYPE CABINET 600mm X 48RU X 1070mm DEEP	01	01	00	02	02	02	04	01	86 Kg/EACH 190 LBS/EACH	106 Kg/EACH 235 LBS/EACH
S7212*U	NET-ACCESS S-TYPE CABINET 700mm X 42RU X 1070mm DEEP	01	01	02	02	02	02	04	01	129 Kg/EACH 285 LBS/EACH	149 Kg/EACH 330 LBS/EACH
S7512*U	NET-ACCESS S-TYPE CABINET 700mm X 45RU X 1070mm DEEP	01	01	02	02	02	02	04	01	136 Kg/EACH 300 LBS/EACH	156 Kg/EACH 345 LBS/EACH
S7812*U	NET-ACCESS S-TYPE CABINET 700mm X 48RU X 1070mm DEEP	01	01	02	02	02	02	04	01	142 Kg/EACH 315 LBS/EACH	163 Kg/EACH 360 LBS/EACH
S7219*U	NET-ACCESS S-TYPE CABINET 700mm X 42RU X 1070mm DEEP	01	01	00	02	02	02	04	01	96 Kg/EACH 212 LBS/EACH	116 Kg/EACH 257 LBS/EACH
S7519*U	NET-ACCESS S-TYPE CABINET 700mm X 45RU X 1070mm DEEP	01	01	00	02	02	02	04	01	102 Kg/EACH 227 LBS/EACH	123 Kg/EACH 272 LBS/EACH
S7819*U	NET-ACCESS S-TYPE CABINET 700mm X 48RU X 1070mm DEEP	01	01	00	02	02	02	04	01	109 Kg/EACH 242 LBS/EACH	130 Kg/EACH 287 LBS/EACH
S8212*U	NET-ACCESS S-TYPE CABINET 800mm X 42RU X 1070mm DEEP	01	01	02	02	02	02	04	01	142 Kg/EACH 315 LBS/EACH	163 Kg/EACH 360 LBS/EACH
S8512*U	NET-ACCESS S-TYPE CABINET 800mm X 45RU X 1070mm DEEP	01	01	02	02	02	02	04	01	149 Kg/EACH 330 LBS/EACH	170 Kg/EACH 375 LBS/EACH
S8812*U	NET-ACCESS S-TYPE CABINET 800mm X 48RU X 1070mm DEEP	01	01	02	02	02	02	04	01	156 Kg/EACH 345 LBS/EACH	176 Kg/EACH 390 LBS/EACH
S8219*U	NET-ACCESS S-TYPE CABINET 800mm X 42RU X 1070mm DEEP	01	01	00	02	02	02	04	01	120 Kg/EACH 265 LBS/EACH	140 Kg/EACH 310 LBS/EACH
S8519*U	NET-ACCESS S-TYPE CABINET 800mm X 45RU X 1070mm DEEP	01	01	00	02	02	02	04	01	127 Kg/EACH 280 LBS/EACH	147 Kg/EACH 325 LBS/EACH
S8819*U	NET-ACCESS S-TYPE CABINET 800mm X 48RU X 1070mm DEEP	01	01	00	02	02	02	04	01	133 Kg/EACH 295 LBS/EACH	154 Kg/EACH 340 LBS/EACH

* DENOTES COLOR
 B = BLACK
 W = WHITE

TITLE		NET-ACCESS S-TYPE UNIVERSAL WITH FULLY ADJUSTABLE FRONT RAILS CABINET	
CUSTOMER DRAWING			
ITEM REVISION NAME	15V491KY/00	PANDUIT	
DATASET FILE NAME	15V491KY_DC/00C		
MATERIAL:		N/A	
DRAWING NUMBER:		15V491KY-DC	
THIRD ANGLE PROJECTION			
DRAWN BY	DATE	CHK	SCALE
MES	2/12/18	BRAP	NONE
SHT 2 OF 7		A	

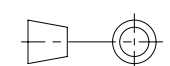
REV	DATE	BY	CHK	APR	DESCRIPTION	ECN
00C	3/14/18	LEE	BRAP	ELE	SEE SHEET 1 FOR REVISIONS	V09001UV/02
00B	3/5/18	LEE	LDR	ELE	SEE SHEET 1 FOR REVISIONS	V09001UV/01
00A	2/12/18	MES	BRAP	DJWA	RELEASED TO PRODUCTION	V09001UV

D110100DA/16

THIS COPY IS PROVIDED ON A RESTRICTED BASIS AND IS NOT TO BE USED IN ANY WAY DETRIMENTAL TO THE INTERESTS OF PANDUIT CORP.

1200mm UNIVERSAL CABINETS											
PART NO.	DESCRIPTION	SINGLE HINGE FRONT DOOR	SPLIT REAR DOOR	SPLIT SIDE PANEL	FRONT CAGE NUT FINGER MGMT E-RAILS	REAR CAGE NUT FINGER MGMT E-RAILS	STANDARD PDU BRACKETS	CASTERS	CABLE MGMT FINGERS	CABINET WEIGHT FULLY UNPACKAGED	CABINET WEIGHT SHIPPING WEIGHT
S6222*U	NET-ACCESS S-TYPE CABINET 600mm X 42RU X 1200mm DEEP	01	01	02	02	02	02	04	01	128 Kg/EACH 282 LBS/EACH	148 Kg/EACH 327 LBS/EACH
S6522*U	NET-ACCESS S-TYPE CABINET 600mm X 45RU X 1200mm DEEP	01	01	02	02	02	02	04	01	132 Kg/EACH 292 LBS/EACH	153 Kg/EACH 337 LBS/EACH
S6822*U	NET-ACCESS S-TYPE CABINET 600mm X 48RU X 1200mm DEEP	01	01	02	02	02	02	04	01	137 Kg/EACH 302 LBS/EACH	157 Kg/EACH 347 LBS/EACH
S6229*U	NET-ACCESS S-TYPE CABINET 600mm X 42RU X 1200mm DEEP	01	01	00	02	02	02	04	01	92 Kg/EACH 202 LBS/EACH	112 Kg/EACH 247 LBS/EACH
S6529*U	NET-ACCESS S-TYPE CABINET 600mm X 45RU X 1200mm DEEP	01	01	00	02	02	02	04	01	94 Kg/EACH 207 LBS/EACH	114 Kg/EACH 252 LBS/EACH
S6829*U	NET-ACCESS S-TYPE CABINET 600mm X 48RU X 1200mm DEEP	01	01	00	02	02	02	04	01	96 Kg/EACH 212 LBS/EACH	116 Kg/EACH 257 LBS/EACH
S7222*U	NET-ACCESS S-TYPE CABINET 700mm X 42RU X 1200mm DEEP	01	01	02	02	02	02	04	01	139 Kg/EACH 307 LBS/EACH	160 Kg/EACH 352 LBS/EACH
S7522*U	NET-ACCESS S-TYPE CABINET 700mm X 45RU X 1200mm DEEP	01	01	02	02	02	02	04	01	146 Kg/EACH 322 LBS/EACH	166 Kg/EACH 367 LBS/EACH
S7822*U	NET-ACCESS S-TYPE CABINET 700mm X 48RU X 1200mm DEEP	01	01	02	02	02	02	04	01	153 Kg/EACH 337 LBS/EACH	173 Kg/EACH 382 LBS/EACH
S7229*U	NET-ACCESS S-TYPE CABINET 700mm X 42RU X 1200mm DEEP	01	01	00	02	02	02	04	01	99 Kg/EACH 219 LBS/EACH	120 Kg/EACH 264 LBS/EACH
S7529*U	NET-ACCESS S-TYPE CABINET 700mm X 45RU X 1200mm DEEP	01	01	00	02	02	02	04	01	106 Kg/EACH 235 LBS/EACH	127 Kg/EACH 280 LBS/EACH
S7829*U	NET-ACCESS S-TYPE CABINET 700mm X 48RU X 1200mm DEEP	01	01	00	02	02	02	04	01	113 Kg/EACH 250 LBS/EACH	134 Kg/EACH 295 LBS/EACH
S8222*U	NET-ACCESS S-TYPE CABINET 800mm X 42RU X 1200mm DEEP	01	01	02	02	02	02	04	01	152 Kg/EACH 335 LBS/EACH	172 Kg/EACH 380 LBS/EACH
S8522*U	NET-ACCESS S-TYPE CABINET 800mm X 45RU X 1200mm DEEP	01	01	02	02	02	02	04	01	165 Kg/EACH 365 LBS/EACH	186 Kg/EACH 410 LBS/EACH
S8822*U	NET-ACCESS S-TYPE CABINET 800mm X 48RU X 1200mm DEEP	01	01	02	02	02	02	04	01	179 Kg/EACH 395 LBS/EACH	199 Kg/EACH 440 LBS/EACH
S8229*U	NET-ACCESS S-TYPE CABINET 800mm X 42RU X 1200mm DEEP	01	01	00	02	02	02	04	01	112 Kg/EACH 248 LBS/EACH	133 Kg/EACH 293 LBS/EACH
S8529*U	NET-ACCESS S-TYPE CABINET 800mm X 45RU X 1200mm DEEP	01	01	00	02	02	02	04	01	119 Kg/EACH 263 LBS/EACH	140 Kg/EACH 308 LBS/EACH
S8829*U	NET-ACCESS S-TYPE CABINET 800mm X 48RU X 1200mm DEEP	01	01	00	02	02	02	04	01	126 Kg/EACH 278 LBS/EACH	146 Kg/EACH 323 LBS/EACH

* DENOTES COLOR
 "B" = BLACK
 "W" = WHITE

TITLE		NET-ACCESS S-TYPE UNIVERSAL WITH FULLY ADJUSTABLE FRONT RAILS CABINET	
CUSTOMER DRAWING			
ITEM REVISION NAME	15V491KY/00	PANDUIT	
DATASET FILE NAME	15V491KY_DC/00C		
MATERIAL:		N/A	
DRAWING NUMBER:		15V491KY-DC	
THIRD ANGLE PROJECTION			
DRAWN BY	DATE	CHK	SCALE
MES	2/12/18	BRAP	NONE
SHT 3 OF 7		A	

REV	DATE	BY	CHK	APR	DESCRIPTION	ECN
00C	3/14/18	LEE	BRAP	ELE	SEE SHEET 1 FOR REVISIONS	V09001UV/02
00B	3/5/18	LEE	LDR	ELE	SEE SHEET 1 FOR REVISIONS	V09001UV/01
00A	2/12/18	MES	BRAP	DJWA	RELEASED TO PRODUCTION	V09001UV

D10100DA/16

THIS COPY IS PROVIDED ON A RESTRICTED BASIS AND IS NOT TO BE USED IN ANY WAY DETRIMENTAL TO THE INTERESTS OF PANDUIT CORP.

1070mm 1115 [43.9]
1200mm 1269 [50.0]

600mm 598 [23.5]
700mm 698 [27.5]
800mm 798 [31.4]

HEIGHT WITH CASTERS
42RU 2026 [79.8]
45RU 2159 [85.0]
48RU 2292 [90.2]

1070mm 1068 [42.0] 47 FRONT DOOR DEPTH [1.9]
1200mm 1220 [48.0] TILE COVERAGE DEPTH

SWIVEL FRONT CASTERS

RIGID REAR CASTERS

LEFT VIEW

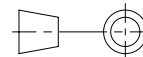
FRONT VIEW

RIGHT VIEW

REAR VIEW

REV	DATE	BY	CHK	APR	DESCRIPTION	ECN
00C	3/14/18	LEE	BRAP	ELE	SEE SHEET 1 FOR REVISIONS	V09001UV/02
00B	3/5/18	LEE	LDR	ELE	SEE SHEET 1 FOR REVISIONS	V09001UV/01
00A	2/12/18	MES	BRAP	DJWA	RELEASED TO PRODUCTION	V09001UV

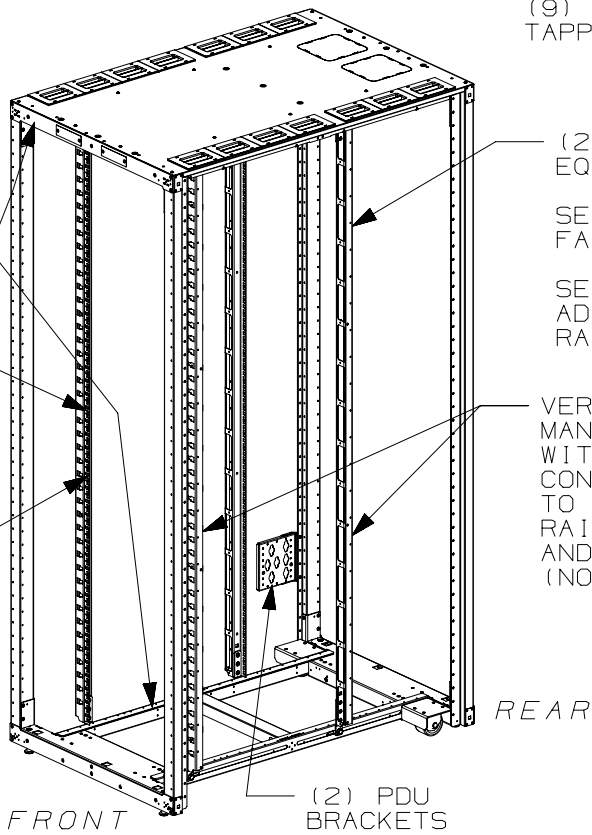
TITLE NET-ACCESS S-TYPE UNIVERSAL WITH FULLY ADJUSTABLE FRONT RAILS CABINET CUSTOMER DRAWING					
ITEM REVISION NAME 15V491KY/00	PANDUIT				
DATASET FILE NAME 15V491KY_DC/00C					
MATERIAL: N/A					
DRAWING NUMBER: 15V491KY-DC					
DRAWN BY MES	DATE 2/12/18	CHK BRAP	SCALE NONE	SHT 4 OF 7	SIZE A



THIRD ANGLE PROJECTION

D10100DA/16

THIS COPY IS PROVIDED ON A RESTRICTED BASIS AND IS NOT TO BE USED IN ANY WAY DETRIMENTAL TO THE INTERESTS OF PANDUIT CORP.



(6) LOCATIONS FOR 1070mm
(9) LOCATIONS FOR 1200mm
TAPPED FOR M10 THREADED ROD

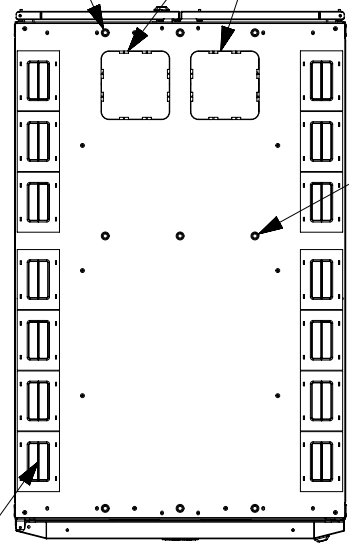
REAR

(2) 165mm X 165mm
[6.5in] [6.5in]
KNOCKOUTS FOR PDU
POWER CORDS
COMPATIBLE
W/COOL BOOT
P/N: CTGN6X6

E-RAIL POSITION MARKINGS
RACK UNITS ARE NUMBERED AND INDEXED FOR IDENTIFICATION
(2) ADJUSTABLE FRONT CAGE NUT EQUIPMENT RAILS
SEE SHEET 1 FOR FACTORY SETTINGS
SEE SHEET 6 FOR ADJUSTABILITY RANGE TABLE

(2) ADJUSTABLE REAR EQUIPMENT RAILS
SEE SHEET 1 FOR FACTORY SETTINGS
SEE SHEET 6 FOR ADJUSTABILITY RANGE TABLE

VERTICAL CABLE MANAGEMENT FINGERS WITH BEND RADIUS CONTROL CAN BE ASSEMBLED TO CABLE MANAGEMENT TYPE RAILS BY CUSTOMER. FRONT AND REAR. (NOT SHOWN)



FRONT
TOP VIEW

SEE SHEET 6 FOR BEZELS AND COVERS COMPATABILITY TABLE

REV	DATE	BY	CHK	APR	DESCRIPTION	ECN
00C	3/14/18	LEE	BRAP	ELE	SEE SHEET 1 FOR REVISIONS	V09001UV/02
00B	3/5/18	LEE	LDR	ELE	SEE SHEET 1 FOR REVISIONS	V09001UV/01
00A	2/12/18	MES	BRAP	DJWA	RELEASED TO PRODUCTION	V09001UV

TITLE NET-ACCESS S-TYPE UNIVERSAL WITH FULLY ADJUSTABLE FRONT RAILS CABINET CUSTOMER DRAWING						
ITEM REVISION NAME 15V491KY/00					PANDUIT	
DATASET FILE NAME 15V491KY_DC/00C						
MATERIAL: N/A						DRAWING NUMBER: 15V491KY-DC
THIRD ANGLE PROJECTION						
DRAWN BY MES	DATE 2/12/18	CHK BRAP	SCALE NONE	SHT 5 OF 7		SIZE A

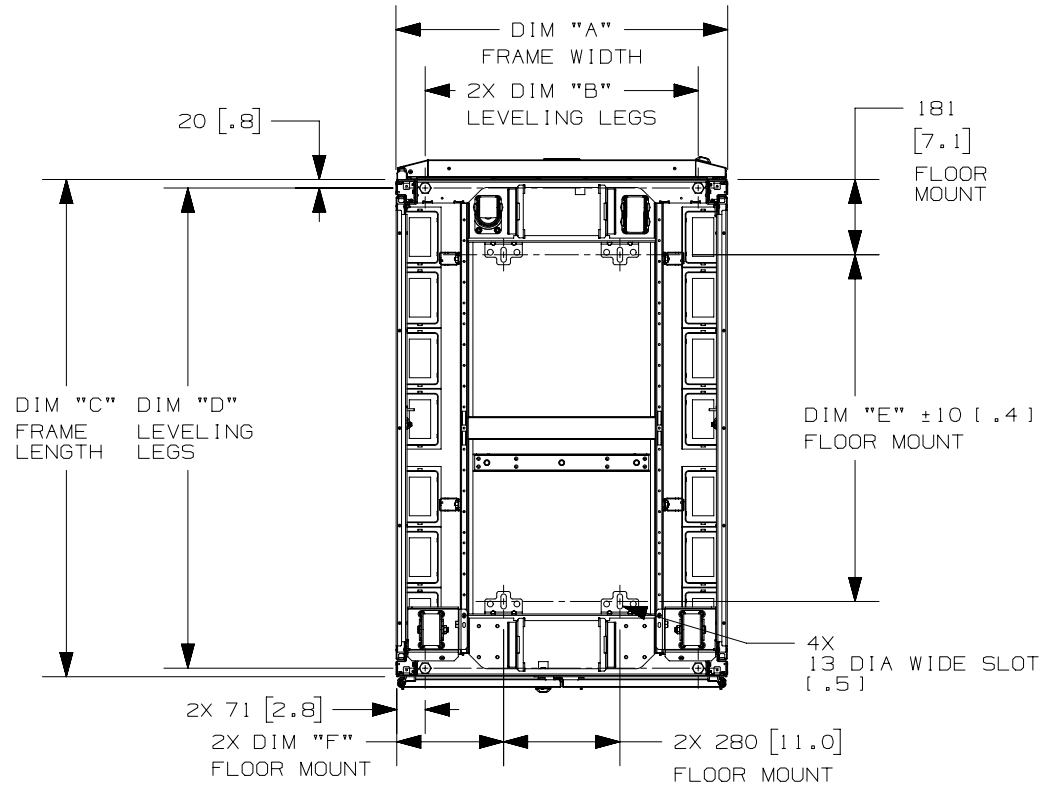
D10100DA/16

2

1

THIS COPY IS PROVIDED ON A RESTRICTED BASIS AND IS NOT TO BE USED IN ANY WAY DETRIMENTAL TO THE INTERESTS OF PANDUIT CORP.

DESCRIPTION	DIM "A"	DIM "B"	DIM "C"	DIM "D"	DIM "E"	DIM "F"
S-TYPE 600mm WIDE X 1070mm DEEP	598 [23.5]	457 [18.0]	1044 [41.1]	1003 [39.5]	682 [26.9]	159 [6.3]
S-TYPE 700mm WIDE X 1070mm DEEP	698 [27.5]	557 [21.9]	1044 [41.1]	1003 [39.5]	682 [26.9]	209 [8.2]
S-TYPE 800mm WIDE X 1070mm DEEP	798 [31.4]	657 [25.9]	1044 [41.1]	1003 [39.5]	682 [26.9]	259 [10.2]
S-TYPE 600mm WIDE X 1200mm DEEP	598 [23.5]	457 [18.0]	1196 [47.1]	1155 [45.5]	834 [32.8]	159 [6.3]
S-TYPE 700mm WIDE X 1200mm DEEP	698 [27.5]	557 [21.9]	1196 [47.1]	1155 [45.5]	834 [32.8]	209 [8.2]
S-TYPE 800mm WIDE X 1200mm DEEP	798 [31.4]	657 [25.9]	1196 [47.1]	1155 [45.5]	834 [32.8]	259 [10.2]



FLOOR MOUNTING HOLE LOCATIONS - SOME PARTS REMOVED FOR CLARITY

REAR OF CABINET

REV	DATE	BY	CHK	APR	DESCRIPTION	ECN
00C	3/14/18	LEE	BRAP	ELE	SEE SHEET 1 FOR REVISIONS	V09001UV/02
00B	3/5/18	LEE	LDR	ELE	SEE SHEET 1 FOR REVISIONS	V09001UV/01
00A	2/12/18	MES	BRAP	DJWA	RELEASED TO PRODUCTION	V09001UV

TITLE		NET-ACCESS S-TYPE UNIVERSAL WITH FULLY ADJUSTABLE FRONT RAILS CABINET	
CUSTOMER DRAWING			
ITEM REVISION NAME	15V491KY/00	PANDUIT	
DATASET FILE NAME	15V491KY_DC/00C		
MATERIAL:		N/A	
DRAWING NUMBER:		15V491KY-DC	
THIRD ANGLE PROJECTION			
DRAWN BY	DATE	CHK	SCALE
MES	2/12/18	BRAP	NONE
SHT 7 OF 7		A	

D10100DA/16