

**2****1**

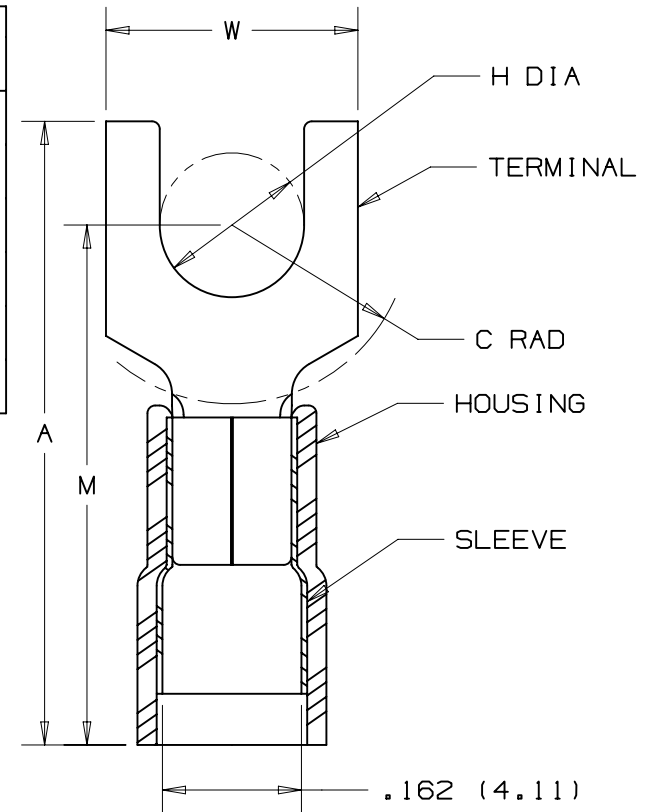
THIS COPY IS PROVIDED ON A RESTRICTED BASIS AND IS NOT TO BE USED IN ANY WAY DETRIMENTAL TO THE INTERESTS OF PANDUIT CORP.

PANDUIT PART NUMBER	STUD SIZE	DIMENSIONS - in.					TOOLS
		A ± .03	W ± .01	C ± .02	M ± .03	H ± .01	
PN14-6FN	#6	.79 (20.07)	.24 (6.10)	.19 (4.83)	.65 (16.51)	.15 (3.81)	*CT-100A **CT-400 **CT-460 **CT-600-A (CT-500CH) **CT-600-A (CT-550CH) **CT-1550 **CT-1551 **CT-2500 (CT-2550CH)
PN14-6F	#6	.79 (20.07)	.28 (7.11)	.19 (4.83)	.65 (16.51)	.15 (3.81)	
PN14-8F	#8	.85 (21.59)	.31 (7.87)	.23 (5.84)	.67 (17.02)	.17 (4.32)	
PN14-10F	#10	.87 (22.10)	.34 (8.64)	.24 (6.10)	.71 (18.03)	.20 (5.08)	
PN14-10FN	#10	.87 (22.10)	.31 (7.87)	.24 (6.10)	.71 (18.03)	.20 (5.08)	
PN14-14F	1/4"	1.02 (25.91)	.44 (11.18)	.32 (8.13)	.77 (19.56)	.27 (6.86)	

\*FOR USE ON #16-14 AWG SOLID OR STRANDED COPPER WIRE  
 \*\*FOR USE ON #18-14 AWG SOLID OR STRANDED COPPER WIRE

## NOTES:

- cULus LISTED FOR:  
 A. 221° F (105° C) MAX TEMP RATING  
 B. 600 V MAX. BLDG WIRE  
 (1000 V MAX. IN SIGNS, FIXTURES & LUMINARIES)
- SEE WWW.PANDUIT.COM FOR PACKAGE QUANTITIES
- MATERIAL:  
 A. STAMPING - .032" (.81) THK, COPPER  
   TIN PLATED  
 B. HOUSING - NYLON, BLUE  
 C. SLEEVE - BRASS, TIN PLATED
- DIMENSIONS IN BRACKETS ARE IN MILLIMETERS
- WIRE STRIP LENGTH:  $7/32 + 1/32$  (5.6 + .8)  
   - 0                   - 0



TITLE		3PC. NYLON INSULATED, 16-14 BARREL, FORKS	
ITEM REVISION NAME		CUSTOMER DRAWING	
DATASET FILE NAME		N41192BA/04	
UNLESS OTHERWISE SPECIFIED, DIMENSIONAL TOLERANCES ARE: IN [ mm ]		MATERIAL: SEE NOTES	
.X ±    .XXX ± .XX ±    ANGLES ±		DRAWING NUMBER: A41192	
THIRD ANGLE PROJECTION		DRAWN BY: LA	
DATE: FES		SCALE: NONE	
DESCRIPTION		SHT 1 OF 1	
REV		SIZE: A	

**2****1**

11/10/00DA/16

REV	DATE	BY	CHK	APR	DESCRIPTION	ECN
04	06/14	MBY	JHNU	RGB	REVISED NOTES, MOVED TOOLS TO TABLE, REVISED CERTIFICATION, UPDATED BORDER	N41192BA-A41192