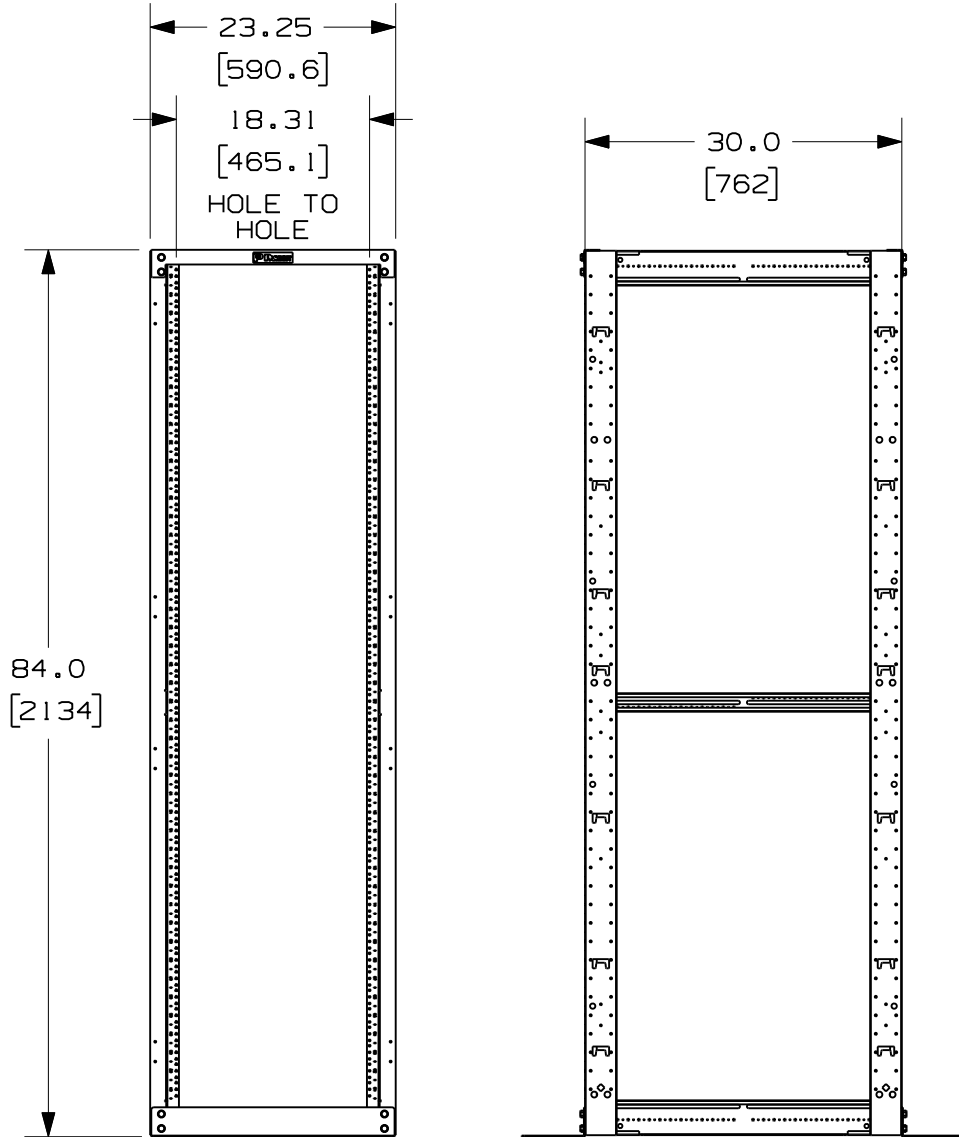


THIS COPY IS PROVIDED ON A RESTRICTED BASIS AND IS NOT TO BE USED IN ANY WAY DETRIMENTAL TO THE INTERESTS OF PANDUIT CORP.



PANDUIT P/N	WEIGHT
R4P	105 LBS/EACH 47.6 Kg/EACH
R4PCN	96 LBS/EACH 43.5 Kg/EACH

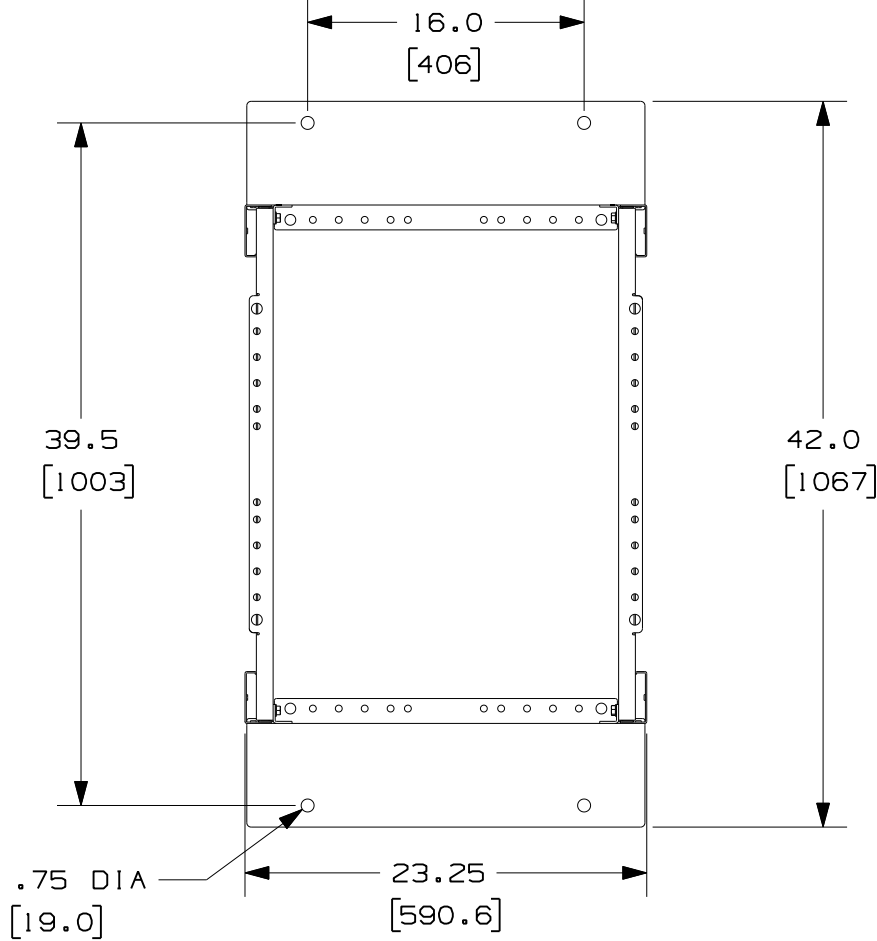
NOTES:

- VISIT OUR ON-LINE CATALOG AT WWW.PANDUIT.COM FOR A LIST OF CURRENT PARTS APPLICABLE FOR USE WITH THIS PRODUCT.
- DIMENSIONS IN PARENTHESIS ARE METRIC.
- INDEPENDENT ADJUSTABLE FRONT & REAR MOUNTING RAILS (EIA) ADJUST FROM 2.75" TO 30" DEPTH.
- CAN BE USED WITH ANY EIA STANDARD COMPONENT IN ADDITION TO ALL PANDUIT HORIZONTAL CABLE MANAGEMENT AND PATCH PANEL PRODUCTS.
- 45 AVAILABLE RACK SPACES.
- EIA UNIVERSAL STANDARD HOLE PROGRESSION ON FRONT CHANNELS AND REAR MOUNT RAILS .625", .625", .500", .625", .625", .500"...ETC.
- ALL RACKS WILL HAVE NUMBERS UP ORIENTATION (RU "01" ON BOTTOM, RU "45" ON TOP). INSTRUCTIONS WILL BE PROVIDED ON HOW TO GET NUMBERS DOWN ORIENTATION.
- RU SPACING NUMBERS ARE CLEARLY PRINTED ON MOUNTING RAILS.
- ALL ASSEMBLY HARDWARE INCLUDED:
 - (16) 3/8-16 X 1" BLACK HEX BOLT
 - (16) 3/8" PAINT PIERCING GROUNDING WASHER
 - (1) TUBE OF ANTI-OXIDIZING PASTE
 - (25) 12-24 X .5" SLOTTED PAN HEAD STEEL SCREW
 - (25) #12-24 CAGE NUTS (ONLY PROVIDED FOR R4PCN)
- EASY ASSEMBLY, ONE WRENCH NEEDED TO INSTALL BOLTS INTO WELDNUTS IN ALL 8 CORNERS.
- FULLY BONDED STRUCTURE WHEN ASSEMBLED PER INSTRUCTIONS.
- LOAD RATING - 2500 LBS.

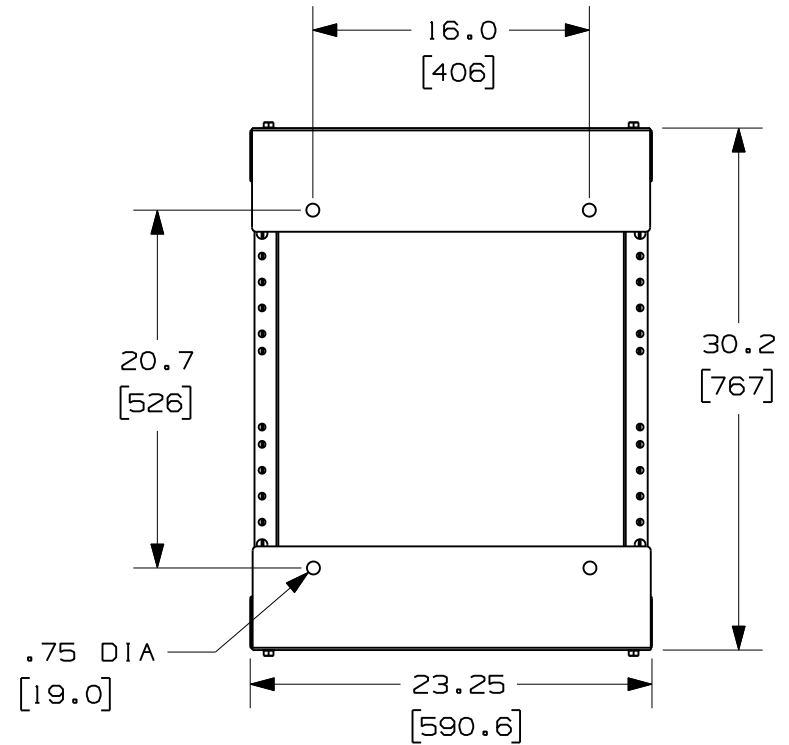
MODEL FILENAME		V10679AB/04	
CAD FILENAME/LAYERS		V10679AB_DC/04A	
<h1>PANDUIT</h1> CORP. TINLEY PARK, ILLINOIS			
<h2>30" DEEP 4 POST RACK (R4P/R4PCN) CUSTOMER DRAWING</h2>			
UNLESS OTHERWISE SPECIFIED, DIMENSIONAL TOLERANCES ARE:		UNLESS OTHERWISE SPECIFIED, ALL DIMENSIONS ARE GIVEN IN INCHES, THIRD ANGLE PROJECTION.	
(.X) ±		(.XXX) ±	
(.XX) ±		ANGLES ±	
DRAWN BY	BAME	MAT'L:	STEEL
DATE	3-30-09		
CHK'D	DSI		
SCALE		NONE	
DRAWING NO.		V10679AB-DC	
SHEET 1 OF 3		A	
		SIZE	

REV	DATE	BY	CHK	DESCRIPTION	ECN	R	CUST	SUP	OTH
O4A	3-2-11	BAME	SRK	REVISED COMPONENT GEOMETRY	V10679AB-DC				
O3B	3-30-10	BAME	DPN	UPDATED DIMS ON PAGE 2	V10679AB-DC				
O3A	10-9-09	BAME	DSI	ADJUSTED LOAD RATING	V10679AB-DC		CMK		
O2A	3-30-09	BAME	DSI	RELEASED TO PRODUCTION	V10679AB-DC		CMK		

THIS COPY IS PROVIDED ON A RESTRICTED BASIS AND IS NOT TO BE USED IN ANY WAY DETRIMENTAL TO THE INTERESTS OF PANDUIT CORP.



FLOOR FOOTPRINT WITH
BASE ANGLES TURNED
OUTWARD FOR EXTENDED
FOOTPRINT



FLOOR FOOTPRINT WITH
BASE ANGLES TURNED INWARD

MODEL FILENAME	V10679AB/04
CAD FILENAME/LAYERS	V10679AB_DC/04A
<h1>PANDUIT</h1> CORP. TINLEY PARK, ILLINOIS	
30" DEEP 4 POST RACK (R4P/R4PCN) CUSTOMER DRAWING	

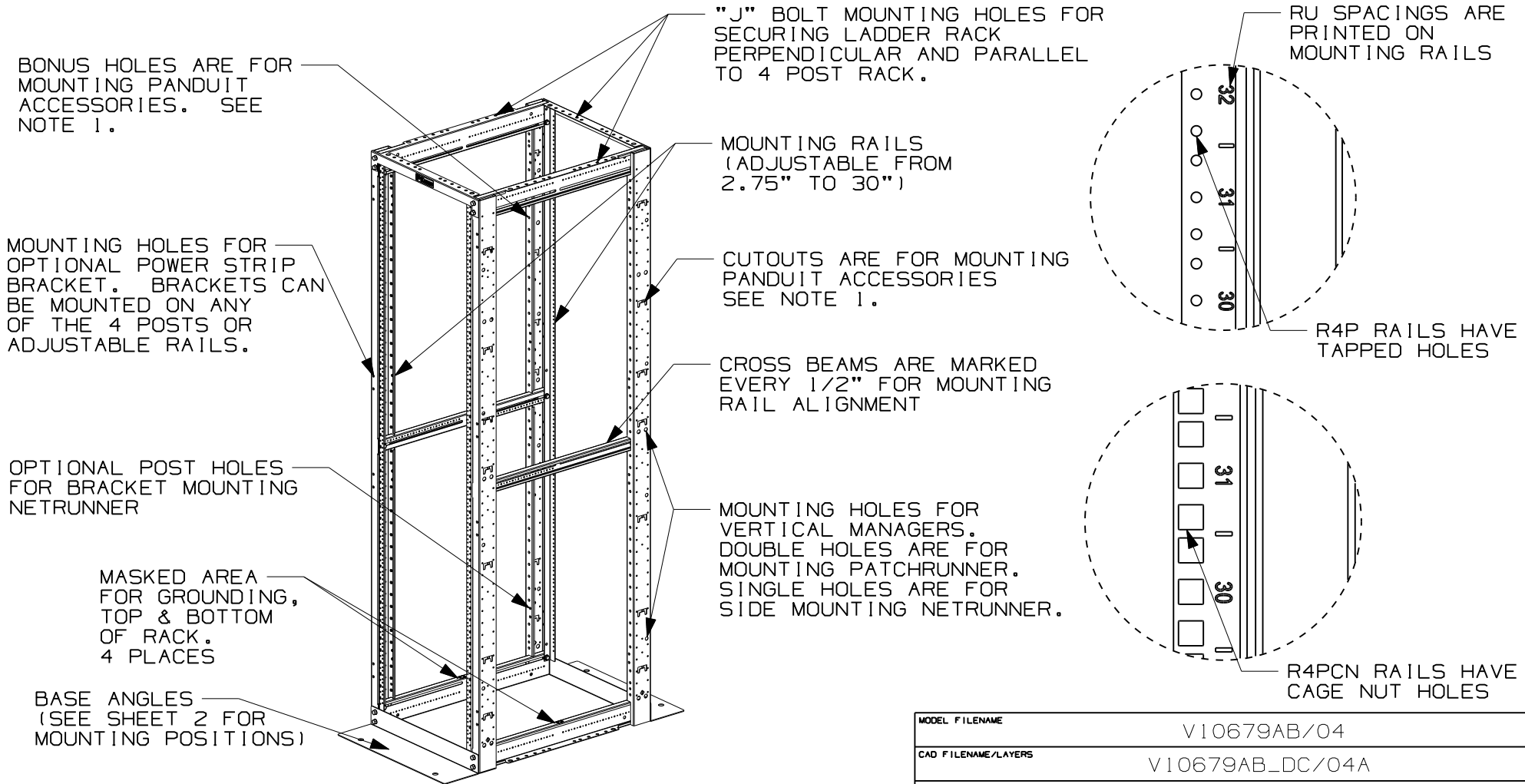
UNLESS OTHERWISE SPECIFIED,
DIMENSIONAL TOLERANCES ARE:
(.X) ± (.XXX) ±
(.XX) ± ANGLES ±

UNLESS OTHERWISE SPECIFIED,
ALL DIMENSIONS ARE GIVEN
IN INCHES, THIRD ANGLE PROJECTION.

DRAWN BY BAME	MAT'L: STEEL	SCALE NONE
DATE 3-30-09		DRAWING NO. V10679AB-DC
CHK'D DSI		SHEET 2 OF 3
		DWG A SIZE

REV	DATE	BY	CHK	DESCRIPTION	ECN	R	CUST	SUP	OTH
04A	3-2-11	BAME	SRK	SEE SHEET 1 OF 3 FOR REVISIONS	V10679AB-DC				
03B	3-30-10	BAME	DPN	SEE SHEET 1 OF 3 FOR REVISIONS	V10679AB-DC				
03A	10-9-09	BAME	DSI	SEE SHEET 1 OF 3 FOR REVISIONS	V10679AB-DC		CMK		
02A	3-30-09	BAME	DSI	SEE SHEET 1 OF 3 FOR REVISIONS	V10679AB-DC		CMK		

THIS COPY IS PROVIDED ON A RESTRICTED BASIS AND IS NOT TO BE USED IN ANY WAY DETRIMENTAL TO THE INTERESTS OF PANDUIT CORP.



MODEL FILENAME V10679AB/04

CAD FILENAME/LAYERS V10679AB_DC/04A

PANDUIT CORP. TINLEY PARK, ILLINOIS

30" DEEP 4 POST RACK (R4P/R4PCN) CUSTOMER DRAWING

UNLESS OTHERWISE SPECIFIED, DIMENSIONAL TOLERANCES ARE:
 (.X) ± (.XXX) ±
 (.XX) ± ANGLES ±

UNLESS OTHERWISE SPECIFIED, ALL DIMENSIONS ARE GIVEN IN INCHES, THIRD ANGLE PROJECTION.

DRAWN BY BAME	MAT'L: STEEL	SCALE NONE
DATE 3-30-09		DRAWING NO. V10679AB-DC
CHK'D DSI		SHEET 3 OF 3
		DWG A SIZE

REV	DATE	BY	CHK	DESCRIPTION	ECN	R	CUST	SUP	OTH
04A	3-2-11	BAME	SRK	SEE SHEET 1 OF 3 FOR REVISIONS	V10679AB-DC				
03B	3-30-10	BAME	DPN	SEE SHEET 1 OF 3 FOR REVISIONS	V10679AB-DC				
03A	10-9-09	BAME	DSI	SEE SHEET 1 OF 3 FOR REVISIONS	V10679AB-DC		CMK		
02A	3-30-09	BAME	DSI	SEE SHEET 1 OF 3 FOR REVISIONS	V10679AB-DC		CMK		