

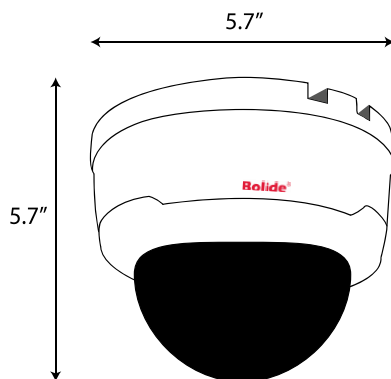
## iPac 4K



### HIGHLIGHTS

- 4K Resolution
- H.265 Compression
- Built-In POE
- IR Distance up to 147 ft.
- 2.8 - 12mm Motorized Lens
- SD Card slot
- 2 Way Audio
- Alarm In / Out

### DIMENSIONS



The new iPac 4K is a true next generation of video surveillance cameras. 8MP resolution displays crisp 4K resolution with more accurate lines, colors, and improved capabilities to identify people and objects in a video surveillance application. This solution is suitable for coverage of large areas and events where extensive digital zoom is required. Every iPac 4K camera also packs features that simplify installations and add utility such as audio recording and alarm relays.

MECHANICAL SPECIFICATIONS	
Image Sensor	1/3 " Progressive CMOS
Minimum Illumination	0.01Lux @(F1.2,AGC ON); B/W 0 Lux with IR
Shutter Speed	1/5 s- 1/20,000 s
Lens	2.8-12mm Motorized Lens; FOV -114 36°
F No.	F 1.4 ~ 2.8 ±5%
Day and Night	IR Cut Filter with Auto Switch
WDR	120 DB
Digital Noise Reduction	2D / 3D DNR
COMPRESSION	
Video Compression	H.265 / H.264
Image Resolution	Up to 8MP(3840 X 2160)
Video Bit Rate	8Kbps ~ 16Mbps
IMAGE	
Frame Rate	8MP(3840 x 2160) 4MP(2592 x 1520) 3MP(2048 x 1536) 2MP1296P(2304 x 1296) 1080P(1920 x 1080) 720P(1280 x 720) - 960H(1280 x 960) Substream D1(704 x 480)-VGA (640x480)-QVGA (320 x 240) Mobilestream QVGA(320 X 240)
Image Settings	Rotate Mode, Saturation, Brightness, Contrast, Sharpness, and adjustable browser
Day & Night	IR Cut Filter with Auto Switch
INTERFACE	
System Compatibility	ONVIF 2.6
Interface	1 RJ45 10M / 100M Ethernet Interface
IR Distance	40pcs LED Up to 148 feet
POE	Built In POE
Security	Flash Prevention, Dual Stream, Heartbeat, Mirror, Password Protection, Privacy Mask, IP Address Filtering
ELECTRICAL	
Power Supply	12 VDC ± 10%, POE (802.3af)
Power Consumption	Max. 9W
Operating Temp.	-40°F - 140 °F Humidity 95% or less (non condensing)
PHYSICAL	
Dimensions	5.79"x4.65"
Net Weight	2.35 lbs.
Weather Rating	IP67/IK10 Rated