

## SafeSite® LED Area Light Class I, Div. 1



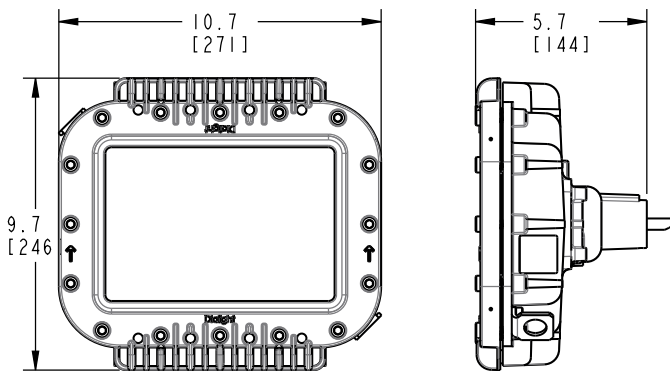
### Certifications & Ratings\*

- 10 year warranty
- L70 > 150,000 hours @ 65°C
- UL 844, UL 1598/A
- CSA C22.2 No. 250
- CSA C22.2 No. 137-M81
- IP66 / 67 / 69
- NEMA 4X
- Factory sealed
- Class I, Division 1, Group B-D Locations
- Class I, Zone 1, Group IIB + Hydrogen
- Class II, Division 1, Groups E-G Locations
- Zone 21, Zone 22

### OR

- Class I, Division 1, Groups C-D Locations
- Class I, Zone 1, Group IIB
- Class II, Division 1, Groups E-G Locations
- Zone 21, Zone 22

\*ETL listed



Dimensions in inches [mm]  
Additional dimensional drawings on pages 30-35

### Mechanical Information:

<b>Fixture weight:</b>	15 lb (6.8 kg)
<b>Shipping weight:</b>	Add 2 lb (0.91 kg) to weights above
<b>Cabling:</b>	10' (3.5 m) 5 conductor SOOW
<b>Impact rating:</b>	IK07 - Tempered glass lens
<b>Cabling:</b>	10' ST00W 1.02mm 18 AWG

### Electrical Specifications:

<b>Operating voltage:</b>	100-277 VAC 50/60Hz, 120-250 VDC
<b>Total system power consumption:</b>	See table
<b>Operating temperature:</b>	-40°F to +149°F (-40°C to +65°C)
<b>EMC:</b>	FCC Title 47, Subpart B, Section 15, Class A device CISPR-15 RF Immunity 20V/m 80MHz-1GHz.
<b>Transient protection:</b>	6 kV, 2 Ohm line-line and line-ground
<b>Harmonics:</b>	IEC 61000-3-2, Class C
<b>THD:</b>	< 20%
<b>Power factor:</b>	> 0.9

### Construction:

<b>Housing:</b>	Copper-free aluminum
<b>Finish:</b>	Superior dual coat finish - Sealed polyester topcoat - Epoxy primer
<b>Lens:</b>	Tempered glass

### Photometric Information:

<b>CRI:</b>	80
<b>CCT:</b>	5000K (cool white) 4000K (neutral white)
<b>Optics:</b>	360° 180° forward throw for 45° mounting Wide for 0° mounting

All values typical unless otherwise stated (tolerance +/- 10%)

### Temperature Ratings

Ambient Temperature Range T4A	Ambient Temperature Range T5
-40°F to +149°F (-40°C to +65°C)	-40°F to +113°F (-40°C to +45°C)

**WARNING - INSTALLATION & SECONDARY RETENTION.** Use of any Dialight products without proper installation (including secondary retention / netting) and periodic inspections could cause severe injury or death. Dialight recommends that all installations should use secondary retention / netting (appropriate to the installation environment) where applicable. It is the exclusive responsibility of the contractor, installer and/or end-user to: (a) determine the suitability of the product for its intended application; and, (b) ensure that the product is safely installed (with secondary retention / netting where appropriate) and in compliance with all applicable laws and regulations. To the extent permissible under applicable laws, Dialight disclaims all liability for personal injury and/or other damage resulting from any dislodgment or other dislocation of its products.

## SafeSite® LED Area Light

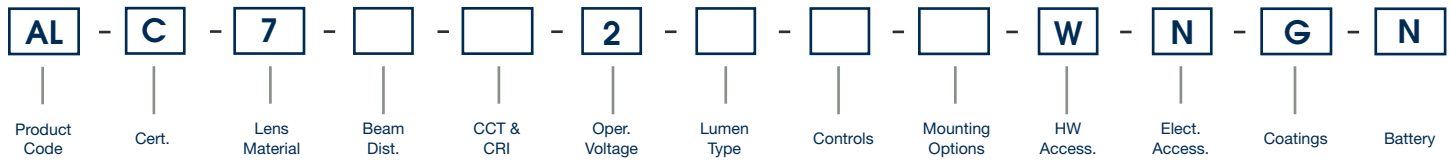
Class I, Div. 1



Project Information		
Part Number:		
Project:		
Fixture Type:		Date:

Specifications

### Ordering Information



#### Product Code

AL Area Light

#### Certification

C Class I, Division 1, Group B-D Locations  
Class I, Zone 1, Group IIB + Hydrogen  
Class II, Division 1, Groups E-G Locations  
Zone 21, Zone 22  
OR  
Class I, Division 1, Groups C-D Locations  
Class I, Zone 1, Group IIB  
Class II, Division 1, Groups E-G Locations  
Zone 21, Zone 22

#### Lens Material

7 Tempered Glass - Clear

#### Beam Distribution

A 180°

B 360°

W Wide

#### CCT & CRI

C Cool White 5000K - 80 CRI

N Neutral White 4000K - 80 CRI

#### Operating Voltage

2 100-277 VAC, 120-250 VDC

#### Lumen Type

3 3,001 - 4,000 Lumens

4 4,001 - 5,000 Lumens

6 5,001 - 6,000 Lumens

7 6,001 - 7,000 Lumens

9 8,001 - 9,000 Lumens

#### Controls

D Dimming (0-10V)

N No Option

#### Mounting Options

B Swivel Bracket, Locking 0°- 90°  
316 Stainless Steel

N 3/4" NPT

#### Hardware Accessories

W 10 ft (3 meter) Power Cable

#### Electrical Accessories

N No Option

#### Coatings

G Gray (RAL 7040)

#### Battery

N No Option

#### Notes

1) When ordering Beam Distribution W - Wide: Lumen Type = 7.

2) For lumen output see page 21.

# Ordering Information

## SafeSite® LED Area Light - Class I, Div. 1



Class I, Div. 1 Model								
Part Number	Initial Fixture Lumens	Wattage	lm/W	CCT	Lens	Beam Distribution	Controls Option	Mounting
ALC-7BC2-9NNW-NGN	8,600	66	130	CW	Tempered Glass	360	No Option	3/4" NPT
ALC-7AC2-9NNW-NGN	8,400	66	127	CW	Tempered Glass	180	No Option	3/4" NPT
ALC-7BC2-7NNW-NGN	7,000	52	135	CW	Tempered Glass	360	No Option	3/4" NPT
ALC-7AC2-7NNW-NGN	6,800	52	131	CW	Tempered Glass	180	No Option	3/4" NPT
ALC-7BC2-6NNW-NGN	5,400	40	135	CW	Tempered Glass	360	No Option	3/4" NPT
ALC-7AC2-6NNW-NGN	5,300	40	133	CW	Tempered Glass	180	No Option	3/4" NPT
ALC-7BC2-4NNW-NGN	4,000	30	133	CW	Tempered Glass	360	No Option	3/4" NPT
ALC-7AC2-4NNW-NGN	3,900	30	130	CW	Tempered Glass	180	No Option	3/4" NPT
ALC-7BC2-3NNW-NGN	2,900	24	121	CW	Tempered Glass	360	No Option	3/4" NPT
ALC-7AC2-3NNW-NGN	2,900	24	121	CW	Tempered Glass	180	No Option	3/4" NPT
100-277 VAC, 120-250 VDC Model with Adjustable Bracket								
ALC-7BC2-9NBW-NGN	8,600	66	130	CW	Tempered Glass	360	No Option	Stainless Steel Adjustable Bracket
ALC-7AC2-9NBW-NGN	8,400	66	127	CW	Tempered Glass	180	No Option	Stainless Steel Adjustable Bracket
ALC-7BC2-7NBW-NGN	7,000	52	135	CW	Tempered Glass	360	No Option	Stainless Steel Adjustable Bracket
ALC-7AC2-7NBW-NGN	6,800	52	131	CW	Tempered Glass	180	No Option	Stainless Steel Adjustable Bracket
ALC-7BC2-6NBW-NGN	5,400	40	135	CW	Tempered Glass	360	No Option	Stainless Steel Adjustable Bracket
ALC-7AC2-6NBW-NGN	5,300	40	133	CW	Tempered Glass	180	No Option	Stainless Steel Adjustable Bracket
ALC-7BC2-4NBW-NGN	4,000	30	133	CW	Tempered Glass	360	No Option	Stainless Steel Adjustable Bracket
ALC-7AC2-4NBW-NGN	3,900	30	130	CW	Tempered Glass	180	No Option	Stainless Steel Adjustable Bracket
ALC-7BC2-3NBW-NGN	2,900	24	121	CW	Tempered Glass	360	No Option	Stainless Steel Adjustable Bracket
ALC-7AC2-3NBW-NGN	2,900	24	121	CW	Tempered Glass	180	No Option	Stainless Steel Adjustable Bracket

See ordering chart for additional options.

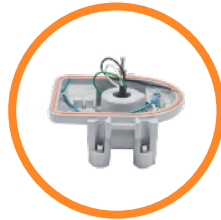
# Mounting Options

## Universal Mounting Adapter



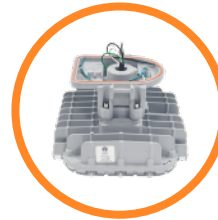
Area Light Base

+



HZXUMA

=



UMA Area Light

Our new Universal Mounting Adapter, now provides even greater flexibility by allowing you to modify stock you have on-hand to configure based on the needs of your customer without having to stock a lot of factory installed systems. All available in UL1598/A and UL844 Class I, Div. 2, Class II, and Class III certified options, as well as CSA and NOM certifications.

## Area Lights with Universal Mounting Adapter & Brackets Sold Separately



UMA Area Light  
ALx-xxxx-xxUx-xxN

+



Stanchion 45°  
HZXS45



Wall 45°  
HZXW45



Wall 0°  
HZXW01



Conveyor  
HZXC34



Ceiling  
HZXFM



Stanchion 90°  
HZXS90 / HZXT90

## Area Lights with Purchased Brackets Factory Installed



Stanchion 45°



Wall 45°



Wall 0°



Conveyor



Ceiling



Stanchion 90°

**DISCLAIMER.** All product information provided is, to the best of Dialight's knowledge, accurate as of the date of publication. When ordering, refer to [www.dialight.com](http://www.dialight.com) for current versions of: (a) relevant product documentation (including the relevant product data sheets); (b) Dialight terms and conditions of sale; and, (c) the relevant product warranty. To the extent that any contract is deemed formed between Dialight and the purchaser of Dialight products and/or an end-user, versions of documents available at [www.dialight.com](http://www.dialight.com) as at the date of sale shall be the versions incorporated therein. In the event of any discrepancy between this document or information provided at [www.dialight.com](http://www.dialight.com), the latter shall prevail.

# Mounting Accessories



**HZXSAFECBLS**

- Safety cable kit



Certified to: UL 50E • CSA C22.2 No. 94.2-07

**HZXSTAN100S**

- 1.00" (1.315" Pole OD) Slip-fit stanchion mount

**HZXSTAN125S**

- 1.25" (1.660" Pole OD) Slip-fit stanchion mount

**HZXSTAN150S**

- 1.50" (1.900" Pole OD) Slip-fit stanchion mount

**HZXSTAN200S**

- 2.00" (2.375" Pole OD) Slip-fit stanchion mount



**HZXSTAN100T**

- 1.00" (1.315" Pole OD) NPT threaded stanchion mount

**HZXSTAN125T**

- 1.25" (1.660" Pole OD) NPT threaded stanchion mount

**HZXSTAN150T**

- 1.50" (1.900" Pole OD) NPT threaded stanchion mount

**HZXSTAN200T**

- 2.00" (2.375" Pole OD) NPT threaded stanchion mount



**HZXW3**

- 316 stainless steel bracket

**HZXW7**

- Aluminum bracket



**HZXW4**

- 316 stainless steel bracket with pipe clamp

**HZXW8**

- Aluminum bracket with pipe clamp



Certified to: UL 50E • CSA C22.2 No. 94.2-07

**HZXJB075**

- 0.75" Ceiling / Wall / Pole mount junction box

**HZXJB100**

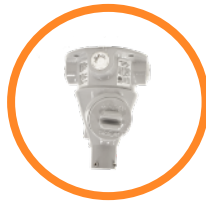
- 1.00" Ceiling / Wall / Pole mount junction box

**HZXJB125**

- 1.25" Ceiling / Wall / Pole mount junction box

**HZXJB150**

- 1.50" Ceiling / Wall / Pole mount junction box



Certified to: UL 50E • UL 1203

ISA 12.12.01 • CSA C22.2 No. 94.2-07

**HBXC1**

- 0.75" NPT Ceiling mount

# Mounting Options

## Retro-fit Adapters



### Area Lights with Retro-fit Adapters



Killark® Certilite® & Certilite® V  
HZXTHKL



Appleton® Mercmaster III  
HZXTHAP



Crouse-Hinds Champ®  
HZXTHCH



Holophane® Petrolux II, III  
HZXTHP3



Appleton® Mercmaster II  
HZXTHM2



Thomas & Betts Hazlux®  
HZXTHTB



GE Filtr-Gard™  
HZXTHGE



DISCLAIMER. All product information provided is, to the best of Dialight's knowledge, accurate as of the date of publication. When ordering, refer to [www.dialight.com](http://www.dialight.com) for current versions of: (a) relevant product documentation (including the relevant product data sheets); (b) Dialight terms and conditions of sale; and, (c) the relevant product warranty. To the extent that any contract is deemed formed between Dialight and the purchaser of Dialight products and/or an end-user, versions of documents available at [www.dialight.com](http://www.dialight.com) as at the date of sale shall be the versions incorporated therein. In the event of any discrepancy between this document or information provided at [www.dialight.com](http://www.dialight.com), the latter shall prevail.