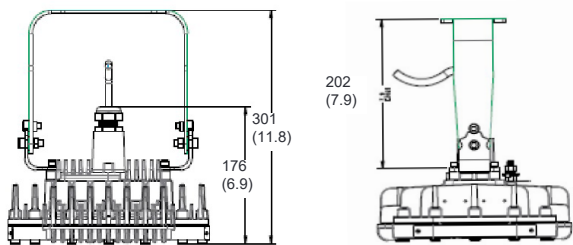


# SafeSite LED Area Light - ATEX / IECEx

## Zone 2, 22



Patent pending



Dimensions in mm

### Certifications & Ratings

- Ex nA nC IIC T4 Gc
- Ex tc III C T130°C Dc (Ta = -40°C to +65°C)
- Certificate numbers: IECEx SIR 14.0042X SIRA 12ATEX4097X
- ATEX Zones 2, 22
- IP66

### Mechanical Information:

- Fixture weight:** 7.5kg (16.5lb)
- Shipping weight:** 8.16kg (18.5lb)
- Mounting:** Supplied with stirrup mounting bracket
- Wiring options:** Factory installed 3 metre 3 core armored cable. 5 metre available, consult factory

### Electrical Specifications:

- Operating voltage:** 100 – 277 VAC, 50/60 Hz
- Power consumption:** See table
- Operating temp:** -40°C to +65°C (40°F to +149°F)
- Surge protection:** 1 KV line to line  
2 KV line to ground
- THD:** <20%
- Power factor:** > 0.9

### Construction:

- Housing:** Copper free aluminum (A360)
- Finish:** Polyester / epoxy powder coat gray RAL 7040 for superior corrosion resistance
- Lens:** Toughened glass

### Photometric Information:

- CRI:** 75
- CCT:** 5000K (cool white)  
4000K (neutral white)
- Optics:** 180°C distribution  
360°C distribution
- IES files:** available at [www.dialight.com](http://www.dialight.com)

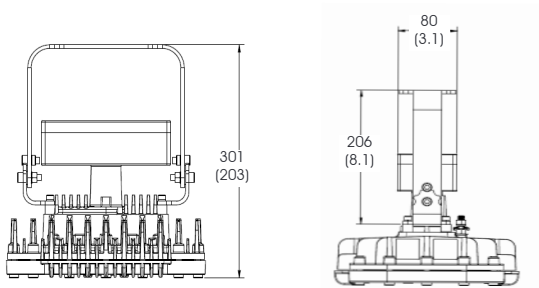
All values typical unless otherwise stated (tolerance +/- 10%)

# SafeSite LED Area Light - ATEX / IECEx

## Zone 2, 22 - Junction Box Models



Patent pending



### Certifications & Ratings

- Ex nA nC IIC T4 Gc
- Ex tc IIC T130°C Dc (Ta = -40°C to +65°C)
- Certificate numbers: IECEx SIR 14.0042X SIRA 12ATEX4097X
- ATEX Zones 2, 22
- IP66

### Mechanical Information:

- Fixture weight:** 7.67kg (16.9lb)
- Shipping weight:** 8.57kg (18.9lb)
- Mounting:** Supplied with stirrup mounting bracket
- Wiring options:** Factory installed junction box with terminal block. 2 x 20mm blank entries

### Electrical Specifications:

- Operating voltage:** 100 – 277 VAC, 50/60 Hz
- Power consumption:** See table
- Operating temp:** -40°C to +65°C (40°F to +149°F)
- Surge protection:** 1 KV line to line  
2 KV line to ground
- THD:** <20%
- Power factor:** > 0.9

### Construction:

- Housing:** Copper free aluminum (A360)
- Finish:** Polyester / epoxy powder coat gray RAL 7040 for superior corrosion resistance
- Lens:** Toughened glass

### Photometric Information:

- CRI:** 75
- CCT:** 5000K (cool white)  
4000K (neutral white)
- Optics:** 180°C distribution  
360°C distribution
- IES files:** available at [www.dialight.com](http://www.dialight.com)

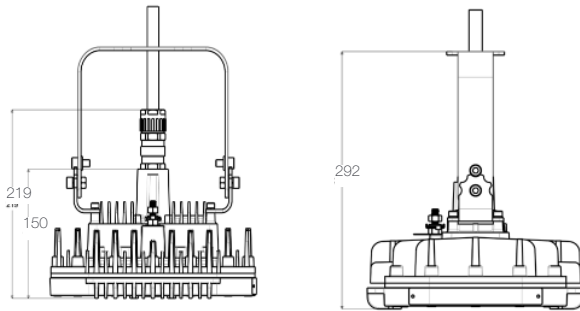
All values typical unless otherwise stated (tolerance +/- 10%)

# SafeSite LED Area Light - ATEX / IECEx

## Amber Model



Patent pending



Dimensions in mm

### Certifications & Ratings

- Ex d e IIC T4 Gb (Ta = -40°C to +65°C)
- Ex d e IIC T5 Gb (Ta = -40°C to +42°C)
- Ex t IIC T135°C Db IP 6X (Ta = -40°C to +65°C)
- Ex t IIC T100°C Db IP 6X (Ta = -40°C to +42°C)
- Certificate numbers: IECEx SIR 11.0156 SIRA 11ATEX1357
- ATEX Zones 1, 21
- ATEX Zones 2, 22
- ABS Design Assessed: #13-HS1043210C-PDA
- IP66
- IK08 impact rating

### Mechanical Information:

|                         |                                                                                    |
|-------------------------|------------------------------------------------------------------------------------|
| <b>Fixture weight:</b>  | 9.53kg (21lb)                                                                      |
| <b>Shipping weight:</b> | 10.43kg (23lb)                                                                     |
| <b>Mounting:</b>        | Supplied with stirrup mounting bracket                                             |
| <b>Wiring options:</b>  | Factory installed 3 metre 3 core armored cable. 5 metre available, consult factory |

### Electrical Specifications:

|                           |                                          |
|---------------------------|------------------------------------------|
| <b>Operating voltage:</b> | 100 – 277 VAC, 50/60 Hz                  |
| <b>Power consumption:</b> | See table                                |
| <b>Operating temp:</b>    | -40°C to +65°C (40°F to +149°F)          |
| <b>Surge protection:</b>  | 1 KV line to line<br>2 KV line to ground |
| <b>THD:</b>               | <20%                                     |
| <b>Power factor:</b>      | > 0.9                                    |

### Construction:

|                 |                                                                               |
|-----------------|-------------------------------------------------------------------------------|
| <b>Housing:</b> | Copper free aluminum (A360)                                                   |
| <b>Finish:</b>  | Polyester / epoxy powder coat gray RAL 7040 for superior corrosion resistance |
| <b>Lens:</b>    | Toughened glass                                                               |

### Photometric Information:

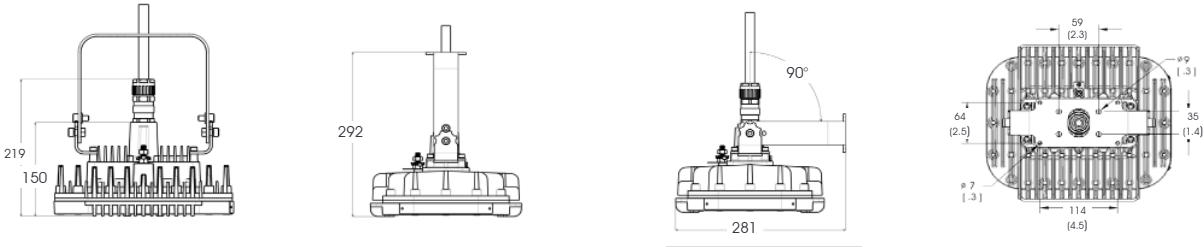
|                         |                                                                     |
|-------------------------|---------------------------------------------------------------------|
| <b>Peak Wavelength:</b> | 590nm                                                               |
| <b>Optics:</b>          | 180°C distribution<br>360°C distribution                            |
| <b>IES files:</b>       | available at <a href="http://www.dialight.com">www.dialight.com</a> |

All values typical unless otherwise stated (tolerance +/- 10%)

# SafeSite LED Area Light - ATEX / IECEx

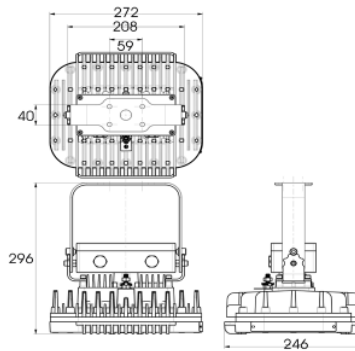
## Dimensions with Stirrup Bracket

Zone 1 Standard and Amber Model

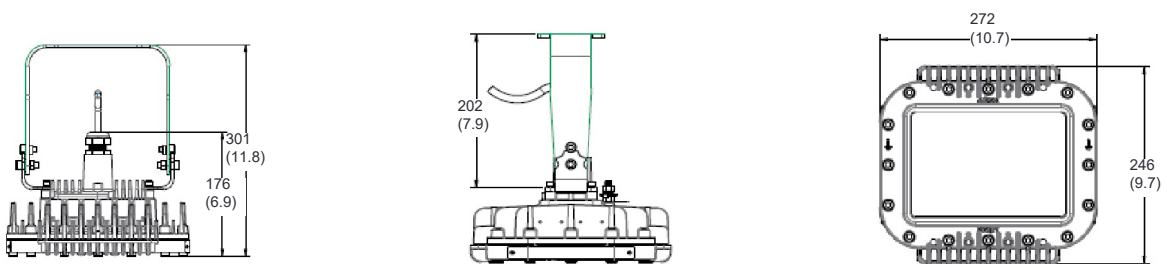


Zone 1 with Junction Box

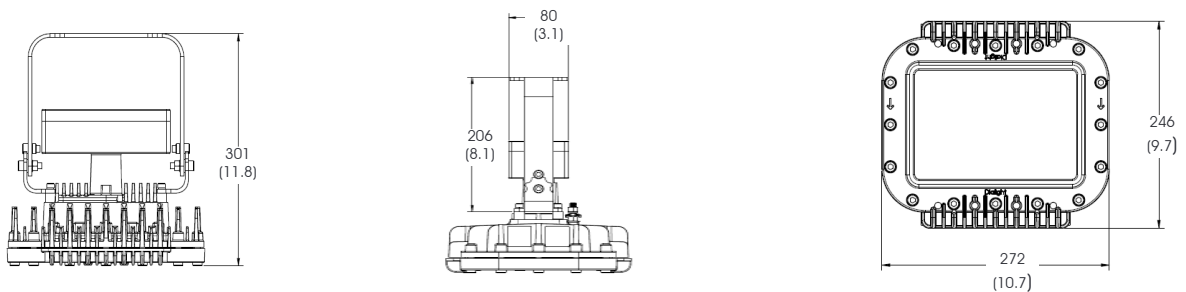
Junction Box



Zone 2



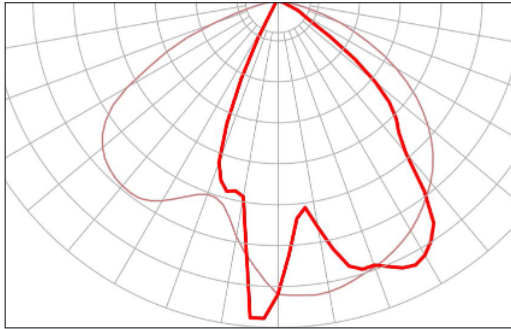
Zone 2 with Junction Box



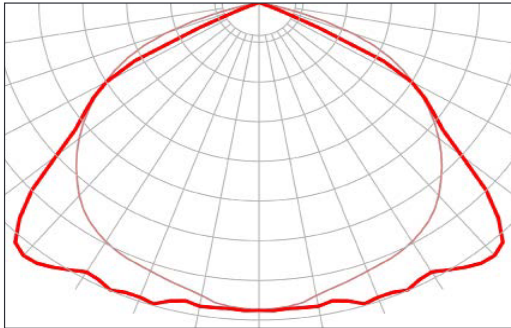
# SafeSite LED Area Light - ATEX / IECEx

## Light Distribution Pattern

180° light distribution



360° light distribution



# SafeSite LED Area Light - ATEX / IECEx

## Ordering Information

| Part Number                                   | Fixture Lumen | Wattage | lm/W | IP66 | Voltage       | Colour Temperature (CCT) | Lens           | Light Distribution | Junction Box |
|-----------------------------------------------|---------------|---------|------|------|---------------|--------------------------|----------------|--------------------|--------------|
| <b>IECEX / ATEX Zone 1, 21</b>                |               |         |      |      |               |                          |                |                    |              |
| HZA9C2N                                       | 6,000         | 58      | 103  | IP66 | 100 - 277 VAC | 5000K (cool white)       | Tempered glass | 360°               |              |
| HZA8C2N                                       | 5,600         | 58      | 97   | IP66 | 100 - 277 VAC | 5000K (cool white)       | Tempered glass | 180°               |              |
| HZA5C2N                                       | 5,100         | 47      | 109  | IP66 | 100 - 277 VAC | 5000K (cool white)       | Tempered glass | 360°               |              |
| HZA4C2N                                       | 4,600         | 47      | 98   | IP66 | 100 - 277 VAC | 5000K (cool white)       | Tempered glass | 180°               |              |
| HZA3C2N                                       | 4,000         | 38      | 105  | IP66 | 100 - 277 VAC | 5000K (cool white)       | Tempered glass | 360°               |              |
| HZA2C2N                                       | 3,600         | 38      | 95   | IP66 | 100 - 277 VAC | 5000K (cool white)       | Tempered glass | 180°               |              |
| HZA1C2N                                       | 2,200         | 22      | 100  | IP66 | 100 - 277 VAC | 5000K (cool white)       | Tempered glass | 360°               |              |
| HZA0C2N                                       | 2,200         | 22      | 100  | IP66 | 100 - 277 VAC | 5000K (cool white)       | Tempered glass | 180°               |              |
| <b>IECEX / ATEX Zone 1, 21 - Junction Box</b> |               |         |      |      |               |                          |                |                    |              |
| HZA9C2N                                       | 6,000         | 58      | 103  | IP66 | 100 - 277 VAC | 5000K (cool white)       | Tempered glass | 360°               | •            |
| HZA8C2N                                       | 5,600         | 58      | 97   | IP66 | 100 - 277 VAC | 5000K (cool white)       | Tempered glass | 180°               | •            |
| <b>IECEX / ATEX Zone 2, 22</b>                |               |         |      |      |               |                          |                |                    |              |
| HZB1C2N                                       | 2,500         | 22      | 114  | IP66 | 100 - 277 VAC | 5000K (cool white)       | Tempered glass | 360°               |              |
| HZB0C2N                                       | 2,000         | 22      | 91   | IP66 | 100 - 277 VAC | 5000K (cool white)       | Tempered glass | 180°               |              |
| <b>IECEX / ATEX Zone 2, 22 - Junction Box</b> |               |         |      |      |               |                          |                |                    |              |
| HZJBFC2N                                      | 7,500         | 69      | 109  | IP66 | 100 - 277 VAC | 5000K (cool white)       | Tempered glass | 360°               | •            |
| HZJBEC2N                                      | 7,000         | 69      | 101  | IP66 | 100 - 277 VAC | 5000K (cool white)       | Tempered glass | 180°               | •            |
| HZJB9C2N                                      | 6,500         | 58      | 112  | IP66 | 100 - 277 VAC | 5000K (cool white)       | Tempered glass | 360°               | •            |
| HZJB8C2N                                      | 6,000         | 58      | 103  | IP66 | 100 - 277 VAC | 5000K (cool white)       | Tempered glass | 180°               | •            |
| HZJB5C2N                                      | 5,500         | 47      | 117  | IP66 | 100 - 277 VAC | 5000K (cool white)       | Tempered glass | 360°               | •            |
| HZJB4C2N                                      | 5,000         | 47      | 106  | IP66 | 100 - 277 VAC | 5000K (cool white)       | Tempered glass | 180°               | •            |
| HZJB3C2N                                      | 3,500         | 38      | 92   | IP66 | 100 - 277 VAC | 5000K (cool white)       | Tempered glass | 360°               | •            |
| HZJB2C2N                                      | 3,000         | 38      | 79   | IP66 | 100 - 277 VAC | 5000K (cool white)       | Tempered glass | 180°               | •            |
| HZJB1C2N                                      | 2,500         | 22      | 114  | IP66 | 100 - 277 VAC | 5000K (cool white)       | Tempered glass | 360°               | •            |
| HZJB0C2N                                      | 2,000         | 22      | 91   | IP66 | 100 - 277 VAC | 5000K (cool white)       | Tempered glass | 180°               | •            |
| <b>ATEX / IECEx Zone 1, 21 - Amber Models</b> |               |         |      |      |               |                          |                |                    |              |
| HZA9A2N                                       | 3,700         | 58      | 64   | IP66 | 100 - 277 VAC | Amber                    | Tempered glass | 360°               |              |
| HZA8A2N                                       | 3,700         | 58      | 64   | IP66 | 100 - 277 VAC | Amber                    | Tempered glass | 180°               |              |
| HZA5A2N                                       | 3,000         | 47      | 64   | IP66 | 100 - 277 VAC | Amber                    | Tempered glass | 360°               |              |
| HZA4A2N                                       | 3,000         | 47      | 64   | IP66 | 100 - 277 VAC | Amber                    | Tempered glass | 180°               |              |
| HZA3A2N                                       | 2,300         | 38      | 61   | IP66 | 100 - 277 VAC | Amber                    | Tempered glass | 360°               |              |
| HZA2A2N                                       | 2,300         | 38      | 61   | IP66 | 100 - 277 VAC | Amber                    | Tempered glass | 180°               |              |

All values typical unless otherwise stated, Lumen values are typical (tolerance +/- 10%).

180° optical pattern models are optimised for a 45° mounting angle  
 Part numbers listed in the table at 5000K (cool white) are available in neutral. For neutral white (4000K) models replace the first **C** in the part code with an **N**. Ex: HZA2**C**2N becomes HZA2**N**2N. When changing to neutral white there is an approximate 7% drop in lumen output.