

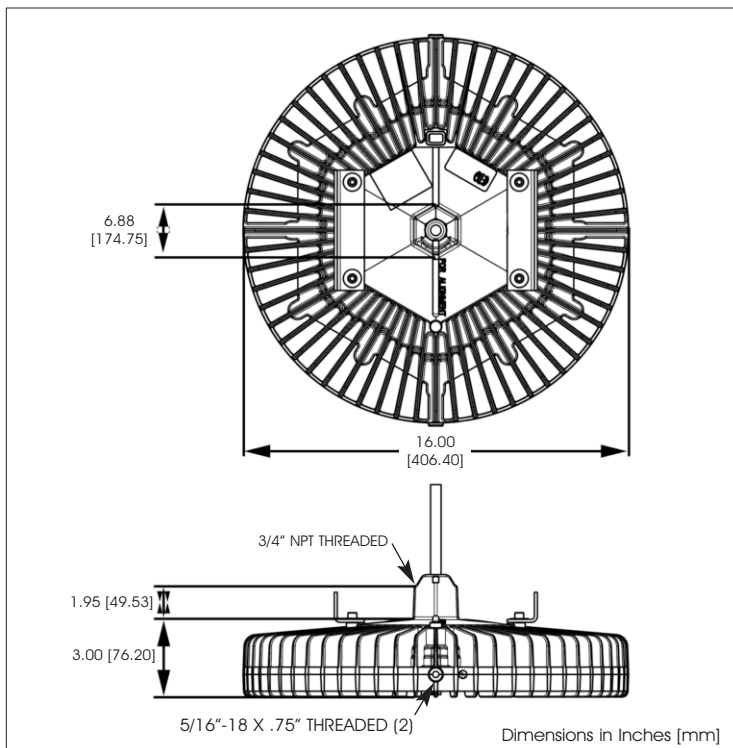


Vigilant® LED High Bay Fixture
125 Lumens per Watt

Application:

Dialight's Vigilant® LED High Bay fixture was designed specifically to replace conventional lighting in a wide variety of industrial applications; both indoor and outdoor. Its low profile light weight design and versatile mounting options make it ideal for many applications such as warehouses, garages, aisles, cold storages, bridges, tunnels and general area lighting.

All of Dialight's long life LED luminaires are designed to meet the most demanding specification criteria while offering maximum energy savings, reduced maintenance costs, and a superior quality of light.



Certifications & Ratings

- UL 1598/A
- CSA 22 #250
- NEMA 4X
- IP66
- Dark Sky Compliant

Features & Benefits

- 10 year full performance warranty
- 125 lumens per Watt
- Switchable light output 26,500lm - 18,000lm
- Significantly reduced glare

Mechanical Information

Fixture Weight:	18 lbs (8.2 kg)
Shipping Weight:	24 lbs (10.9 kg)
Mounting:	(1) 3/4" NPT - top (2) 5/16"-18 x .75" UNC - side Other options - see pg 2
Safety Cabling:	Optional -10' safety chain (secondary restraint)
Cabling:	10' (3.5m) STOOV Power Cord Other options - see pg 2

Electrical specifications

Operating Voltage:	100 - 277V AC 110 - 277V AC
Total System Power Consumption:	See table on pg 2
Operating Temp:	-40°F to +149°F (-40°C to +65°C)
Harmonics:	IEC 61000-3-2
Transient Protection:	6kV/2 ohm, 1.2/50us, 8/20us combination wave, as per IEEE C62.41, line-line and line-ground

Power Factor:	> 0.9
Fusing:	In-line fuse

Construction

Housing:	Copper free aluminum
Finish:	Polyester powder coat White - RAL 9010 Polyester powder coat Gray - RAL 7040 Polyester powder coat Orange - RAL 2009
Lens:	Tempered glass Other options - see pg 2

Photometric Information

CRI:	75 typical
CCT:	5,000K (cool white) 4,000K (neutral white)

Output Options:	
Switchable between:	26,500lm - 18,000lm

All values typical unless otherwise stated
Lumen values are typical (tolerance +/- 10%)

Vigilant® LED High Bay Fixture - Ordering Information

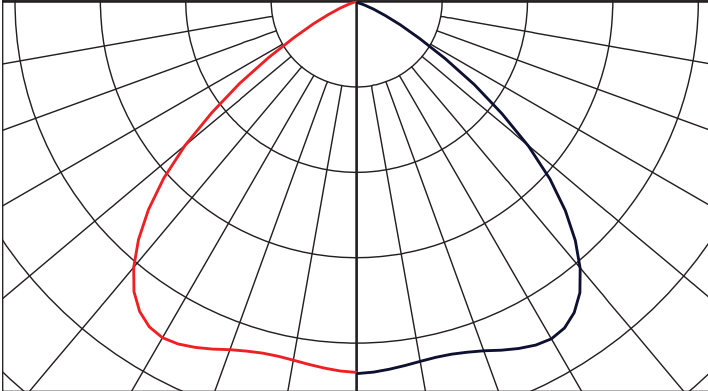
AA	B	C	D	E	F	G	H	I	J
Product Code	Lens	Light Pattern	LED Color Temp	Operating Voltage	Lumens	Features	Mounting Options	Accessories	Color
HE = High Efficiency	G = AR coated glass	M = Medium	C = 5,000K	4 = 100-277V AC	G = 14k	N = No Options	A = 10' Whip	T = Safety Bracket and silicon free gasket	G = Gray RAL 7040
	L = Dome lens (Low Bay)	R = wide	N = 4,000K	9 = 480V W/Top Hat	D = 11k	S = Switch 26/18K lm	B = Hook, 10' ACS Modular Whip	Q = Dual Safety Bracket and silicon free gasket	O = Orange RAL 2009
		N = Narrow			K = 18K		F = Hook, 277V Plug (L715P), 10' Whip		W = White RAL 9010
					P = 26K		G = Hook & 1.5' ACS Modular Whip	W= safety bracket, eyelet, 10' safety chain	
							H= Hook, 6' Whip	X = 125V Plug (L515P), 10' Whip, Safety bracket, Eyelet and 10' Safety chain and silicon free gasket	
							K= Loop & 1.5' ACS Modular Whip		
							L= Loop, 6' Whip		
							M= Loop, 277V Plug (L715P), 10' Whip		
							N= Loop, 277V Plug (L720P), 10' Whip		
							S= 3/4" Conduit mount, 6' Whip		
							W= 277V Plug (L720A), 10' Whip		
							Y= Hook, 10' whip		
							Z= Loop, 10' whip		

Part Number	Initial Fixture Lumens	Wattage	Lumens Per Watt	Switchable Light Output	Safety Bracket	Voltage	Lens	Optical Pattern
HEGMC4PNSTO	26,500	212	125		•	110 - 277V AC	Glass	Medium
HEGMC4PNSTW	26,500	212	125		•	110 - 277V AC		
HEGMC4PSSTW	26,500	212	125	•	•	110 - 277V AC		
	18,000	144	114	•	•	110 - 277V AC		
HEGMC4PNHTW	26,500	212	125		•	110 - 277V AC		
HEGMC4PNSTW	26,500	212	125		•	110 - 277V AC		
HEGMC4KNSTW	18,000	144	125		•	100 - 277V AC		
HEGRC4PSSTW	26,500	212	125	•	•	110 - 277V AC	Wide	
	18,000	144	114	•	•	110 - 277V AC		
HEGRC4PNHTW	26,500	212	125		•	110 - 277V AC		
HEGRC4KNSTW	18,000	144	114		•	100 - 277V AC		

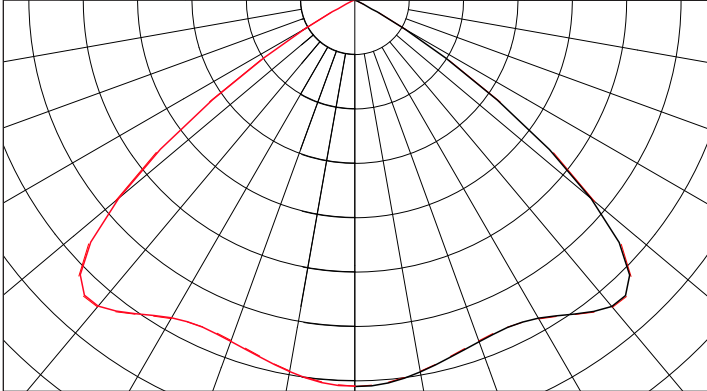
Vigilant® LED High Bay Fixture

Optical Pattern

Medium



Wide



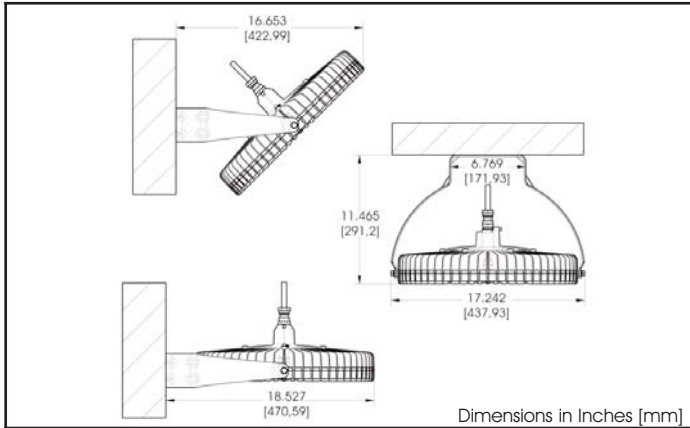
Vigilant® LED High Bay Fixture

Options and Accessories

	Part Number	Description	Kit Includes
	No Part Number	Pendant Mount (Conduit supplied by installer)	Conduit supplied by installer
	HBXW2	Swivel Bracket and Cable Gland	Swivel Bracket Bracket to fixture hardware Cable Gland (1/2") Reducer (3/4" to 1/2")
	HBXW3	Swivel Bracket	Swivel Bracket Bracket to Fixture Hardware
	HBXDUALBRCKT	Dual bracket	Junction Box
	HBXCU	Ceiling Mount	Swivel Hanger Cover 3" Conduit Nipple
	HBXCG	Cable Gland	Cable Gland (1/2") Reducer (3/4" to 1/2")
	HBXL	Loop	Hanger Loop (GE LOOPM353) See note 4 on page 5 when ordering with Occupancy Sensor Models
	HBXH	Hook	Hanger Hook (GE HOOKM353) See note 4 on page 5 when ordering with Occupancy Sensor Models
	HBXTH347T480	Clam shell junction box with Transformer 347-480V AC to 240VAC, 300VA (14,000 lm models and higher)	Clam shell junction box with Integrated Transformer
	HBXDC	Dust Cover	Dust cover, clamp, spacer
	HBXCAB48	48" Long Stainless Steel Safety Rope (for use with Safety Bracket)	Stainless Steel Safety Rope

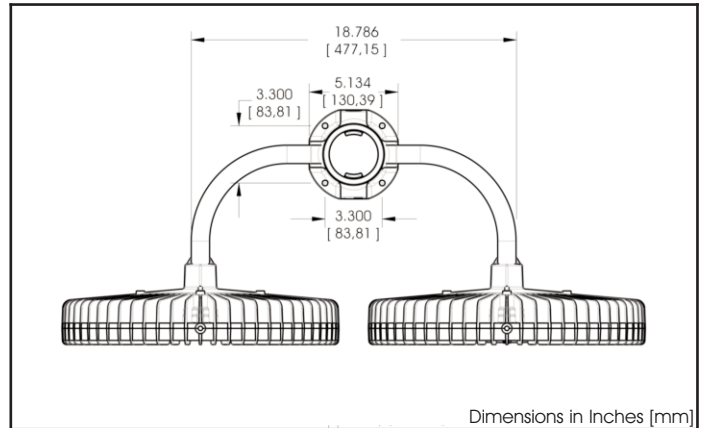
Options and Accessories

HBXW2 - Swivel Bracket and Cable Gland



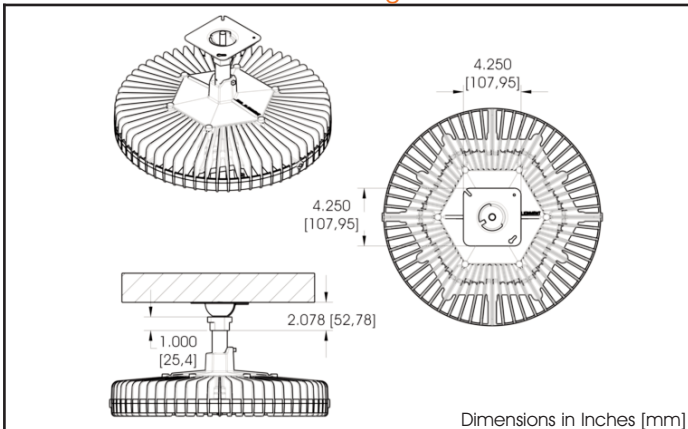
Dimensions in Inches [mm]

HBXDUALBRCKT - Dual Bracket



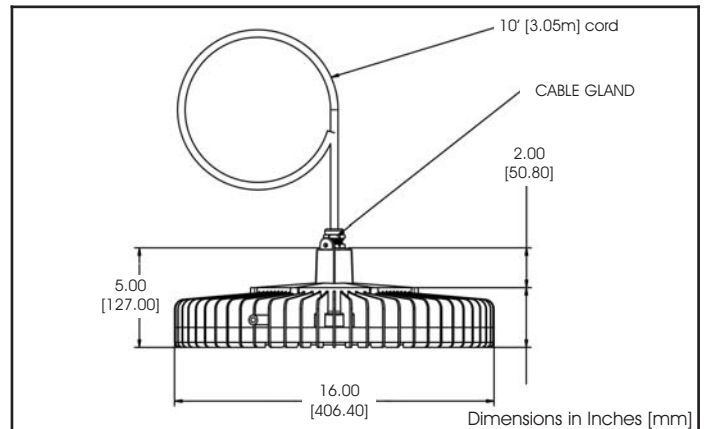
Dimensions in Inches [mm]

HBXCU - Ceiling Mount



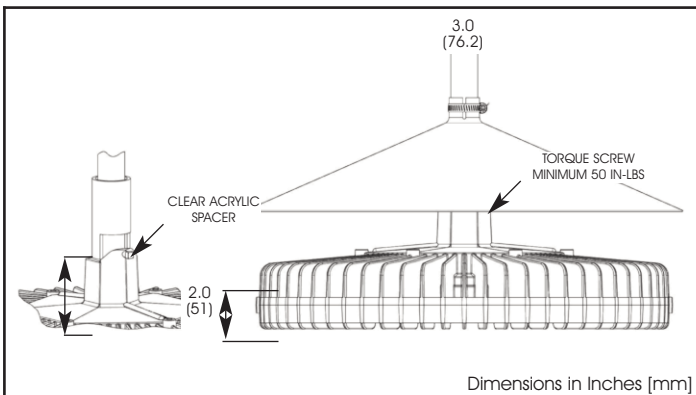
Dimensions in Inches [mm]

HBXCG - Cable Gland



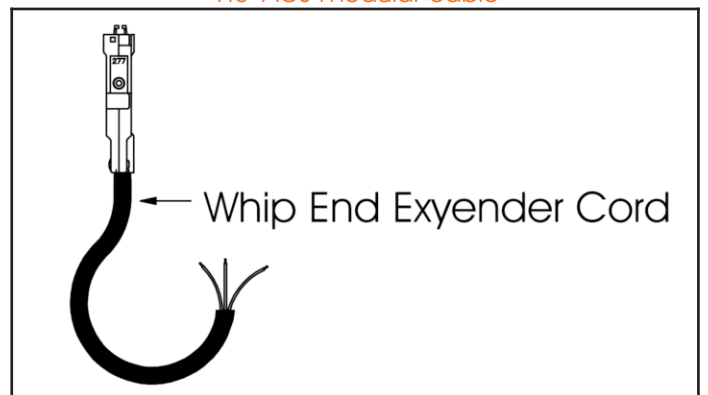
Dimensions in Inches [mm]

HBXDC - Dust Cover



Dimensions in Inches [mm]

1.5' ACS modular cable



Whip End Exyender Cord

Dialight reserves the right to make changes at any time in order to supply the best product possible. Warranty Statement: EXCEPT FOR THE WARRANTY EXPRESSLY PROVIDED FOR [HEREIN/ABOVE/BELOW], DIALIGHT DISCLAIMS ANY AND ALL OTHER WARRANTIES, EXPRESS OR IMPLIED, INCLUDING, WITHOUT LIMITATION, ANY WARRANTIES OF MERCHANTABILITY, FITNESS FOR A PARTICULAR PURPOSE, TITLE, AND NONINFRINGEMENT.