



Vigilant® LED High Bay

for Indoor and Outdoor Industrial Applications



Vigilant® LED High Bay

for Indoor and Outdoor Industrial Applications



About Dialight

Dialight (LSE: DIA.L) is leading the energy efficient LED lighting revolution around the world for industrial and hazardous areas as well as transportation and infrastructure applications. For 40 years it has been committed to the development of LED lighting solutions that enable organizations to vastly reduce energy use and maintenance needs, improve safety, ease disposal and reduce CO₂ emissions.

History at a Glance

- 1938 → Dialight founded in Brooklyn, NY
- 1971 → LED Circuit Board Indicator
- 1994 → LED Transit Vehicle Signals
- 1995 → LED Traffic Signals
- 2000 → FAA certified LED Obstruction Lights
- 2007 → LED Lighting for Hazardous Locations
- 2009 → LED High Bay Fixtures
- 2012 → Full performance 10-year warranty
- 2013 → Controls for LED Lighting
- 2014 → 125lm/W High Bay

Typical Applications

- Oil, Gas & Petrochemical
- Power Generation
- Mining
- Chemical
- Pharmaceutical
- Water & Sewage
- Food & Beverage
- Manufacturing
- Warehousing
- Cold Storage

View the full case studies at:

- G.S. Dunn Limited** - www.dialight.com/news/details/gsdunn_case_study
- Rockline Industries** - www.dialight.com/news/details/rockline_case_study
- MedSafe** - www.dialight.com/news/details/medsafe_case_study
- Kuehne + Nagel** - www.dialight.com/news/details/kuehne_nagel_case_study

Dialight also offers their products for Hazardous Locations

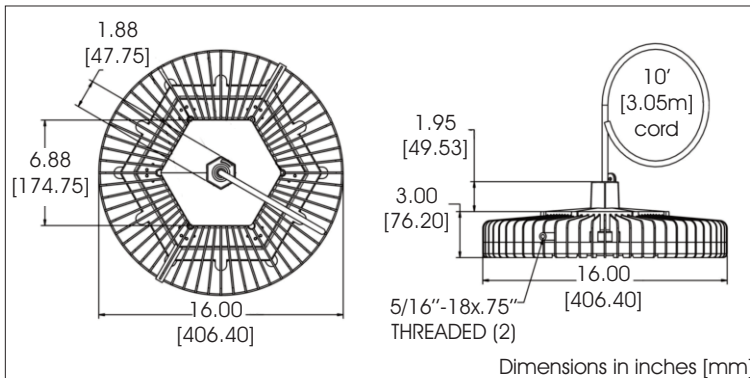


Complete your own Return on Investment calculation at: www.dialight.com/tcoCalculator/Vigilant_HighBay

Dialight

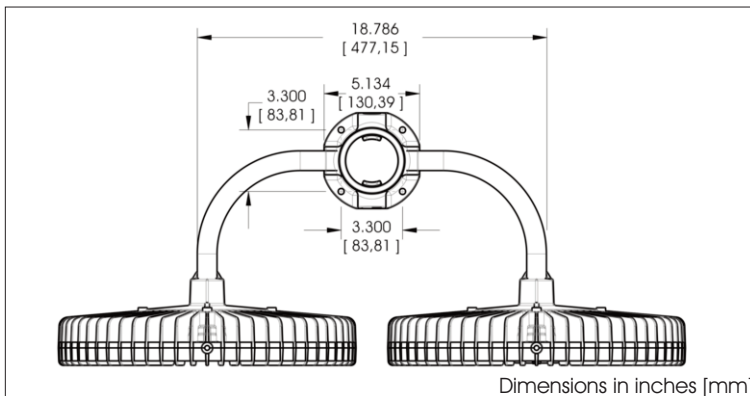


Vigilant® LED High Bay 125 LPW



Dimensions in inches [mm]

Dual Bracket



Dimensions in inches [mm]

Certifications & Ratings

- UL 1598/A
- CSA 22 #250
- CE
- NEMA 4X
- IP 66
- Dark Sky Compliant

Features & Benefits

- L70 rated for > 100,000 hours @ 25°C
- 10 year full performance warranty
- Up to 125 LPW
- Dual Mounting option available
- For 347-480V AC applications, consult factory
- Significantly reduced glare
- Instant on/off
- Maintenance free
- Mercury free
- No UV or IR
- Resistant to shock and vibration

Application:

At 125 lumens per Watt, Dialight's new ultra-efficient industrial LED High Bay revolutionizes the world of LED lighting and is by far the most innovative LED fixture available today. With a market-leading 10 year full performance warranty, the new 26,500 lumen high bay utilizes cutting-edge optical and electrical design to provide for significantly reduced glare and superior light distribution.

In its compact and lightweight structure, Dialight's new 125 lumen per Watt LED High Bay is designed to meet the most demanding specifications and is perfect for any industrial application where improved light levels are needed at minimum energy consumption for more than a decade.

Mechanical Information

Fixture weight:	18 lbs
Shipping weight:	24 lbs
Mounting:	(1) 3/4" NPT - top (2) 5/16"-18 x .75" UNC - side
Cabling:	10' (3.5m) STOOV Power Cord

Electrical Specifications

Operating Voltage:	110 - 277V AC
24,250-26,500lm:	100 - 277V AC
16,500-18,000lm:	(For 347 - 480V AC application, consult factory)

Total system power consumption:

See Table

Operating Temp:

-40°F to +149°F (-40°C to +65°C)

Harmonics:

IEC 61000-3-2

Noise requirement / EMC:

FCC Title 47, Subpart B, Section 15, class A device. RF Immunity; 10V/m, 80MHz-1GHz

Transient protection:

Protection devices capable of handling up to 6kV. Tested at independent laboratory for 6kV/2 ohm combination wave, as per IEEE C62.41, line-line and line-ground

Power Factor:

> 0.9

Construction:

Housing:

Copper free aluminum

Finish:

Polyester powder coated gray RAL 7040

Lens:

Tempered glass

Photometric Information

CRI:

75

CCT:

5,000K (cool white)
4,000K (neutral white)

All values typical unless otherwise stated
Lumen values are typical (tolerance +/- 10%)

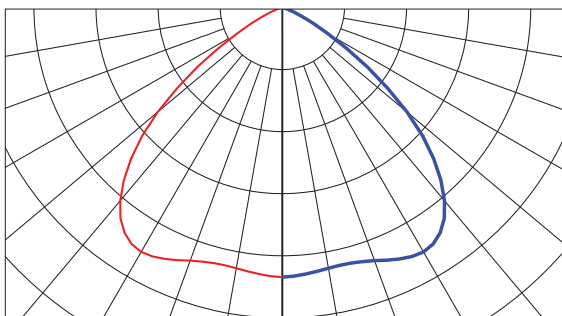
Vigilant® LED High Bay - Ordering Information

Part Number	Initial Fixture Lumens	Watt	Lumens Per Watt	CCT	UL-1598, IP-66, NEMA 4X CSA 22.2 #250, Marine Wet Locations	Safety Bracket	External Fuse	Lens	Optical Pattern	
									Circular	Wide
110 - 277V AC Models										
HEGMC4PN-SNG	26,500	212W	125	5,000K	•			Tempered Glass	•	
HEGRC4PN-SNG	26,500	212W	125	5,000K	•			Tempered Glass		•
HEGMN4PN-SNG	24,250	212W	114	4,000K	•			Tempered Glass	•	
HEGRN4PN-SNG	24,250	212W	114	4,000K	•			Tempered Glass		•
HEGMC4PN-SSG	26,500	212W	125	5,000K	•	•		Tempered Glass	•	
HEGRC4PN-SSG	26,500	212W	125	5,000K	•	•		Tempered Glass		•
HEGMN4PN-SSG	24,250	212W	114	4,000K	•	•		Tempered Glass	•	
HEGRN4PN-SSG	24,250	212W	114	4,000K	•	•		Tempered Glass		•
HEGMC4PN-SFG	26,500	212W	125	5,000K			•	Tempered Glass	•	
HEGRC4PN-SFG	26,500	212W	125	5,000K			•	Tempered Glass		•
HEGMN4PN-SFG	24,250	212W	114	4,000K			•	Tempered Glass	•	
HEGRN4PN-SFG	24,250	212W	114	4,000K			•	Tempered Glass		•
HEGMC4PN-SGG	26,500	212W	125	5,000K		•	•	Tempered Glass	•	
HEGRC4PN-SGG	26,500	212W	125	5,000K		•	•	Tempered Glass		•
HEGMN4PN-SGG	24,250	212W	114	4,000K		•	•	Tempered Glass	•	
HEGRN4PN-SGG	24,250	212W	114	4,000K		•	•	Tempered Glass		•
100 - 277V AC Models										
HEGMC4KN-SNG	18,000	144W	125	5,000K	•			Tempered Glass	•	
HEGRC4KN-SNG	18,000	144W	125	5,000K	•			Tempered Glass		•
HEGMN4KN-SNG	16,500	144W	114	4,000K	•			Tempered Glass	•	
HEGRN4KN-SNG	16,500	144W	114	4,000K	•			Tempered Glass		•
HEGMC4KN-SSG	18,000	144W	125	5,000K	•	•		Tempered Glass	•	
HEGRC4KN-SSG	18,000	144W	125	5,000K	•	•		Tempered Glass		•
HEGMN4KN-SSG	16,500	144W	114	4,000K	•	•		Tempered Glass	•	
HEGRN4KN-SSG	16,500	144W	114	4,000K	•	•		Tempered Glass		•
HEGMC4KN-SFG	18,000	144W	125	5,000K			•	Tempered Glass	•	
HEGRC4KN-SFG	18,000	144W	125	5,000K			•	Tempered Glass		•
HEGMN4KN-SFG	16,500	144W	114	4,000K			•	Tempered Glass	•	
HEGRN4KN-SFG	16,500	144W	114	4,000K			•	Tempered Glass		•
HEGMC4KN-SGG	18,000	144W	125	5,000K		•	•	Tempered Glass	•	
HEGRC4KN-SGG	18,000	144W	125	5,000K		•	•	Tempered Glass		•
HEGMN4KN-SGG	16,500	144W	114	4,000K		•	•	Tempered Glass	•	
HEGRN4KN-SGG	16,500	144W	114	4,000K		•	•	Tempered Glass		•

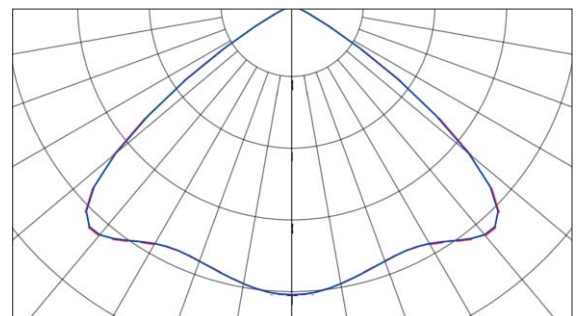
For 347 - 480V AC applications, consult factory

Optical Patterns

Circular Pattern



Wide Pattern



Vigilant® LED High Bay

Options and Accessories

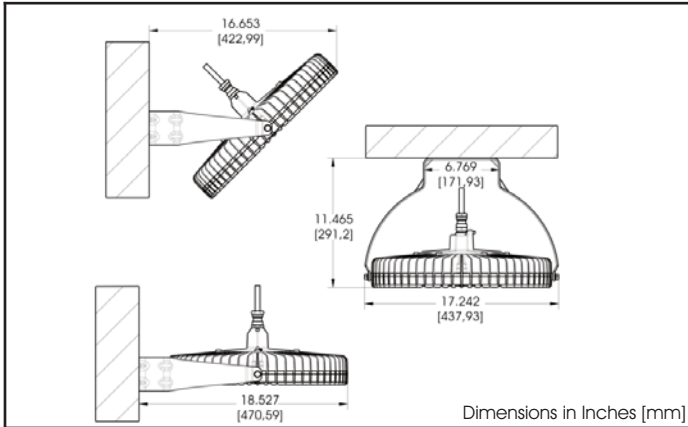
	Part Number	Description	Kit Includes
	HBXDUALBRCKT	Dual Bracket	Junction Box
	No Part Number	Pendant Mount (conduit supplied by installer)	Conduit supplied by installer
	HBXW2	Swivel Bracket and Cable Gland	Swivel Bracket Bracket to fixture hardware Cable Gland (1/2"), Reducer (3/4" to 1/2")
	HBXW3	Swivel Bracket	Swivel Bracket Bracket to Fixture Hardware
	HBXCU	Ceiling Mount	Swivel Hanger Cover 3" Conduit Nipple
	HBXCG	Cable Gland	Cable Gland (1/2") Reducer (3/4" to 1/2")
	HBXL	Loop (consult factory when using with occupancy sensor models)	Hanger Loop (GE LOOPM353)
	HBXH	Hook (consult factory when using with occupancy sensor models)	Hanger Hook (GE HOOKM353)
	HBXCAB48	48" Long Stainless Steel Safety Rope	5/32" Diameter Stainless rope with locking spring clip
	HBXTH347480 ¹	Top hat with 347-480V isolated step down transformer (consult factory when using with hook or loop)	Top and bottom clam shell Conduit nipple 6' STOOW cable 347-480V step down transformer Fuse holder, 2 Fuses
	HBXLENGC	Tempered Glass	Lens, replacement clips, screws, gasket
	HBXREF22	22" Acrylic Reflector (must be ordered with High Bay, not a retrofit option)	Reflector, brackets, screws
	HBXDC	Dust Cover	Dust cover, clamp, spacer

¹Top hat cannot be used with a mounting bracket

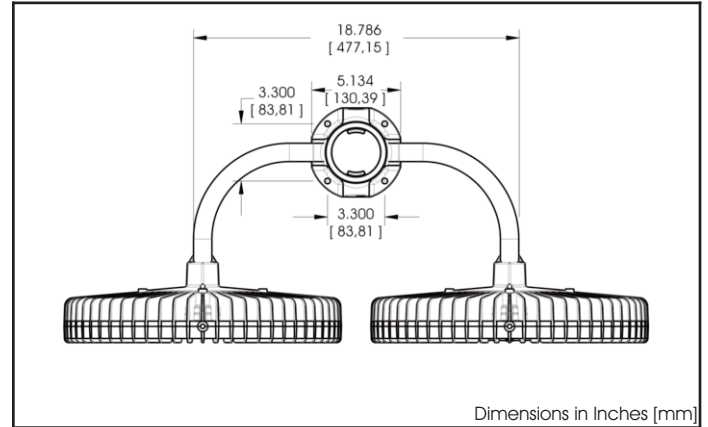
Vigilant® LED High Bay

Options and Accessories

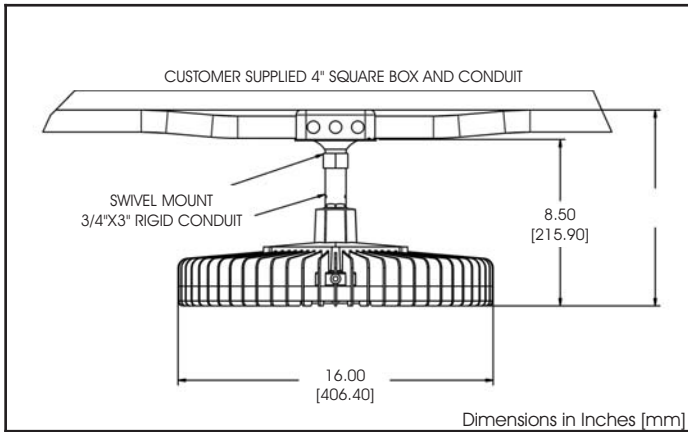
HBXW2 - Swivel Bracket and Cable Gland



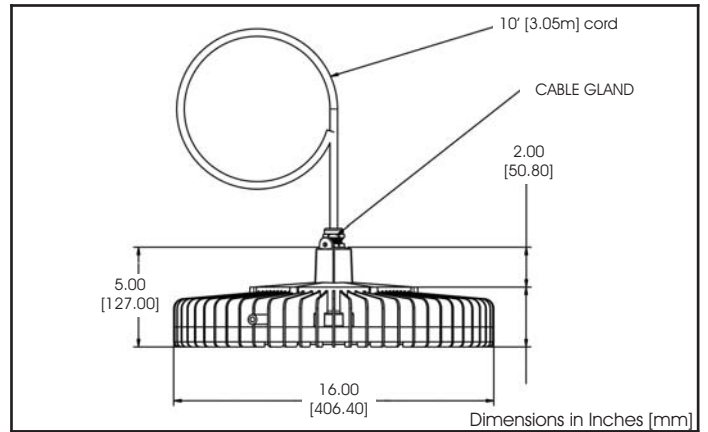
HBXDUALBRCKT - Dual Bracket



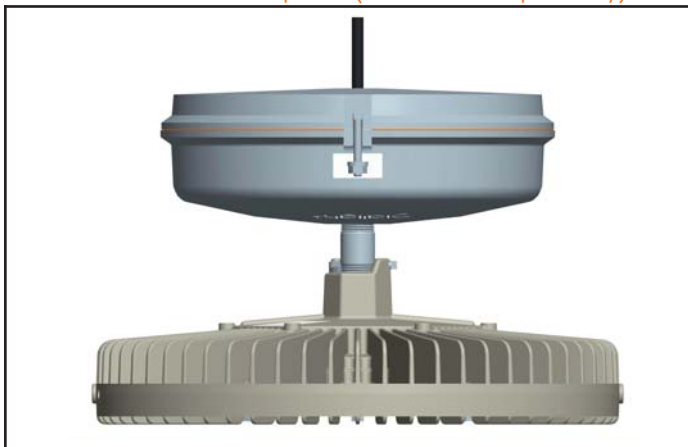
HBXCU - Ceiling Mount



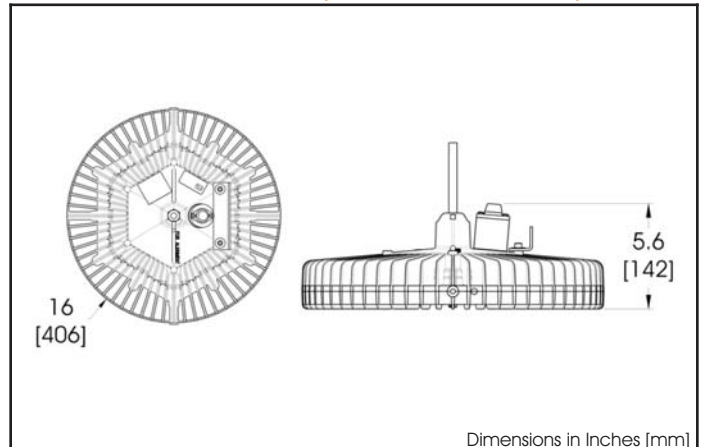
HBXCG - Cable Gland



HBXTH347480 - Top Hat (fixture sold separately)



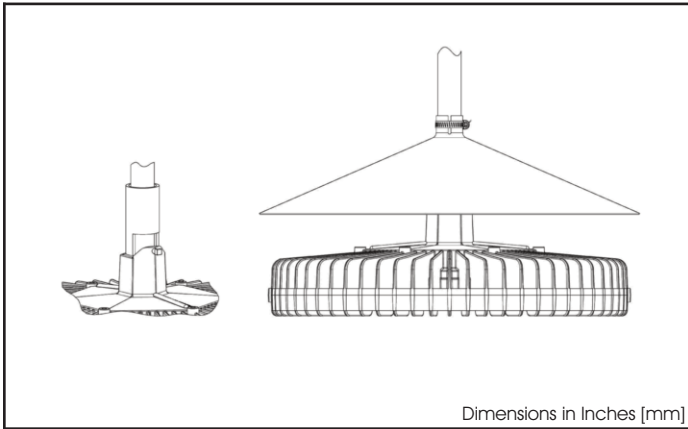
HEGMxxx-SGG - Safety Bracket and Fuse Options



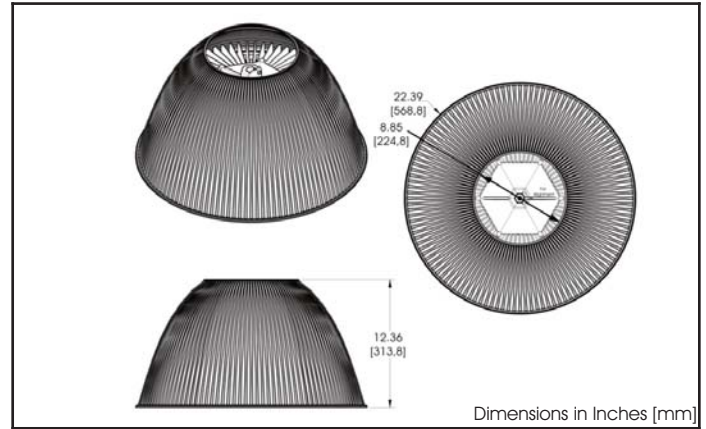
Vigilant® LED High Bay

Options and Accessories

HBXDC - Dust Cover



HBXREF22 - 22" Acrylic Reflector



Dialight reserves the right to make changes at any time in order to supply the best product possible. The most current version of this document will always be available at: www.dialight.com/Assets/Brochures_And_Catalogs/Illumination/MDEXHB125X001.pdf

Warranty Statement: EXCEPT FOR THE WARRANTY EXPRESSLY PROVIDED FOR [HEREIN/ABOVE/BELOW], DIALIGHT DISCLAIMS ANY AND ALL OTHER WARRANTIES, EXPRESS OR IMPLIED, INCLUDING, WITHOUT LIMITATION, ANY WARRANTIES OF MERCHANTABILITY, FITNESS FOR A PARTICULAR PURPOSE, TITLE, AND NONINFRINGEMENT.

Vigilant® LED High Bay
for Indoor and Outdoor Industrial Applications

